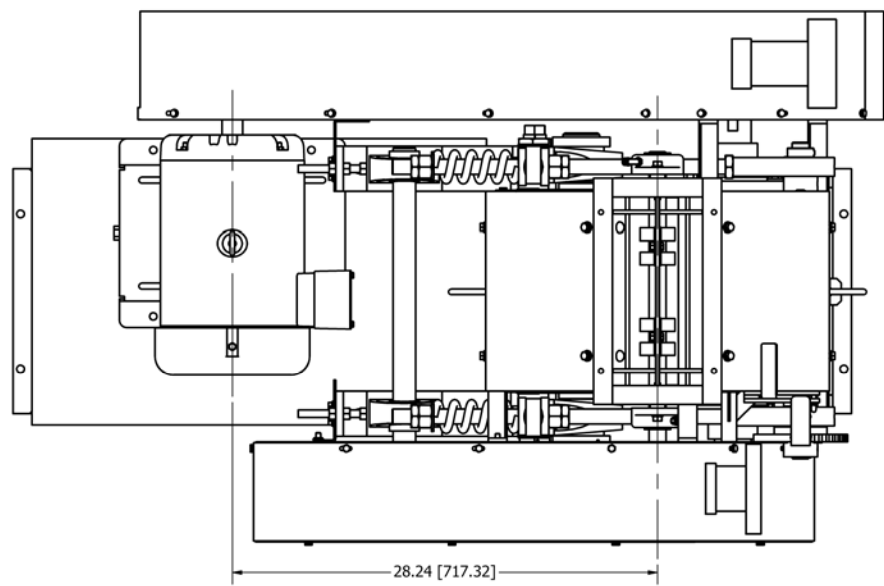
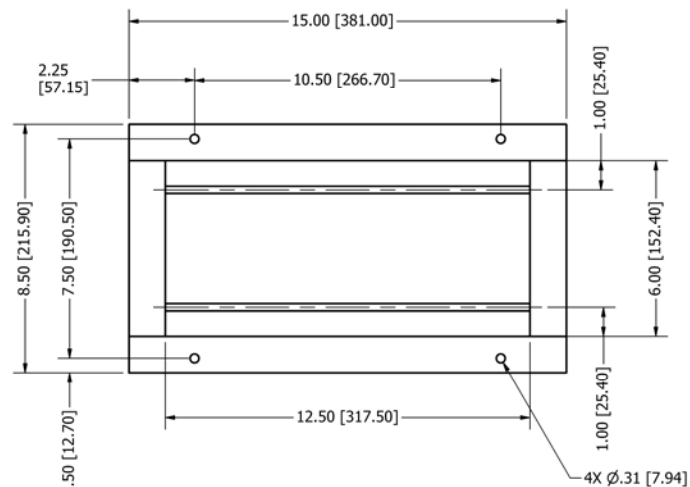


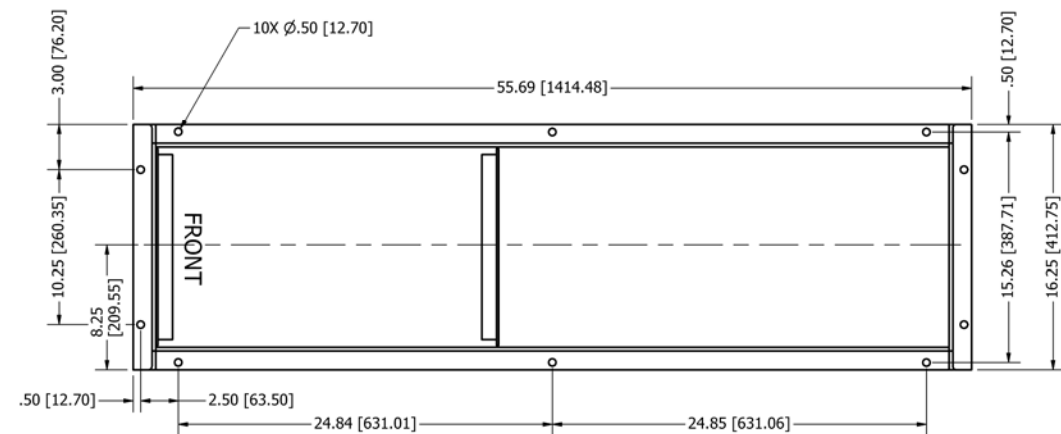
REVISION HISTORY				
REV	ECN	DESCRIPTION	DATE	APPROVED
A	100019	RELEASED	2/24/2010	PG



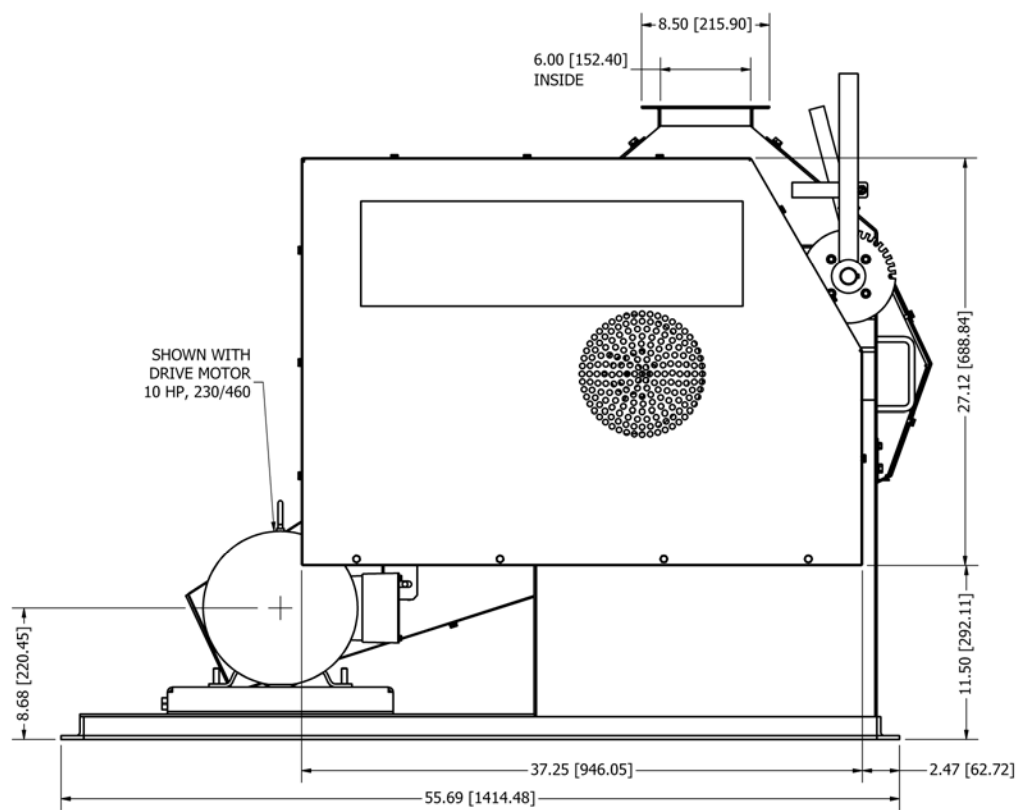
TOP VIEW



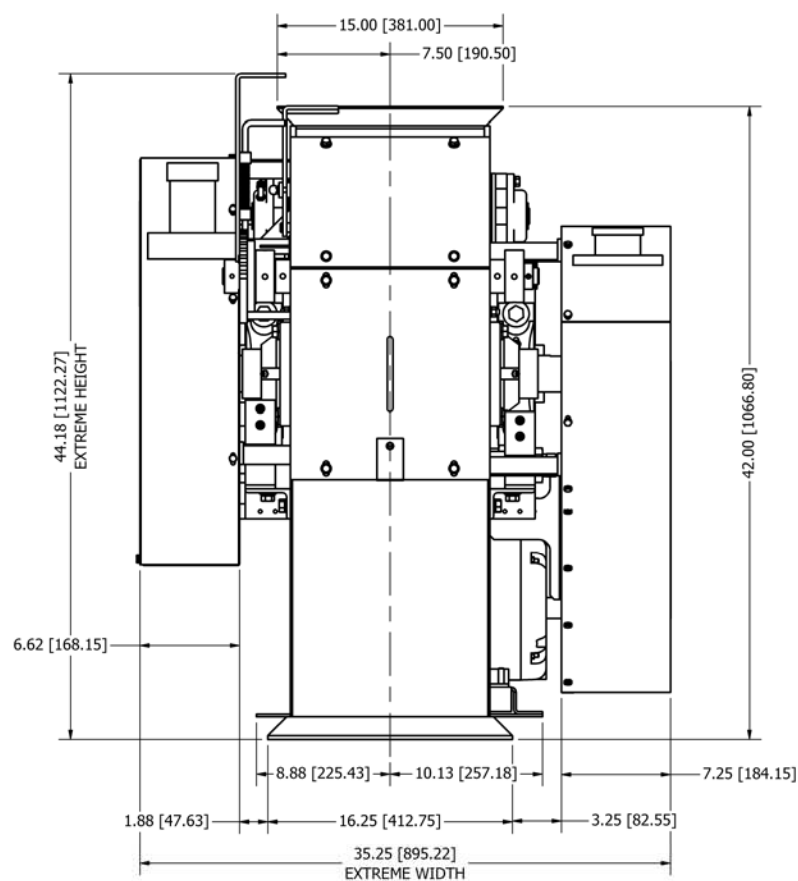
TOP VIEW
INLET FLANGE



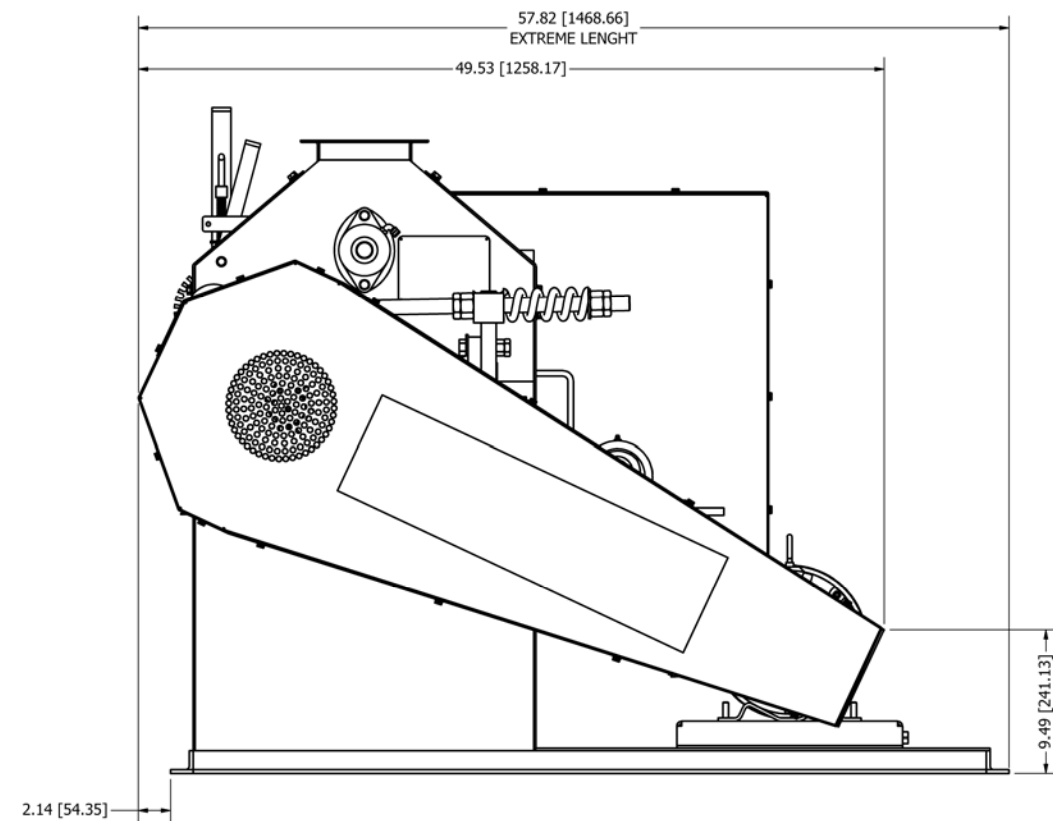
TOP VIEW
MOTOR STAND MOUNTING DETAIL



LEFT SIDE VIEW



FRONT VIEW



RIGHT SIDE VIEW

- NOTES:
- DO NOT SCALE FROM DRAWING.
 - ALTERNATIVE UNITS (XX.XX) IN MILLIMETERS.
 - SHIPPING WEIGHT (COMPLETE WITH MOTOR) 1,500 LBS [681.82 KG].
 - RECOMMENDED MAINTENANCE CLEARANCE FOR MILL 48.00 (1219) AT FRONT & SIDES 12.00" (305) AT REAR.
 - PIVOT ROLLS MUST BE REMOVED FROM FRONT OF HOUSING, FIXED ROLLS MUST BE REMOVED FROM THE REAR.
 - MILL HOUSING HR LOW CARBON STEEL PAINTED FINISH, OTHER GRADES OF CARBON STEEL, STAINLESS STEEL, EPOXY & FOOD GRADE FINISH AVAILABLE UPON REQUEST.

This drawing is the property of the A.T. Ferrell Company, Inc. and must be returned immediately upon request. No part of this drawing may be reproduced, stored in a retrieval system or transmitted in any form or by any means, without prior written consent of the A.T. Ferrell Company, Inc.	CAD	NO MANUAL CHANGES		TOLERANCES EXCEPT AS NOTED		DIVISION OF A. T. FERRELL COMPANY		BLUFFTON, INDIANA - USA			
	DECIMAL:	xxx = .005	xx = .030	xx = .030	SCALE:	0.16:1	DRAWN BY:	pggalea	APPROVED BY:		
	FRACTIONAL:	1/32			TITLE:	MILL, M10 X 12" SGL BASE ASSY					
	ANGULAR:	1/2			DATE:	2/1/2010	SIZE:	D	PART NUMBER:	92000841-1	SHEET: