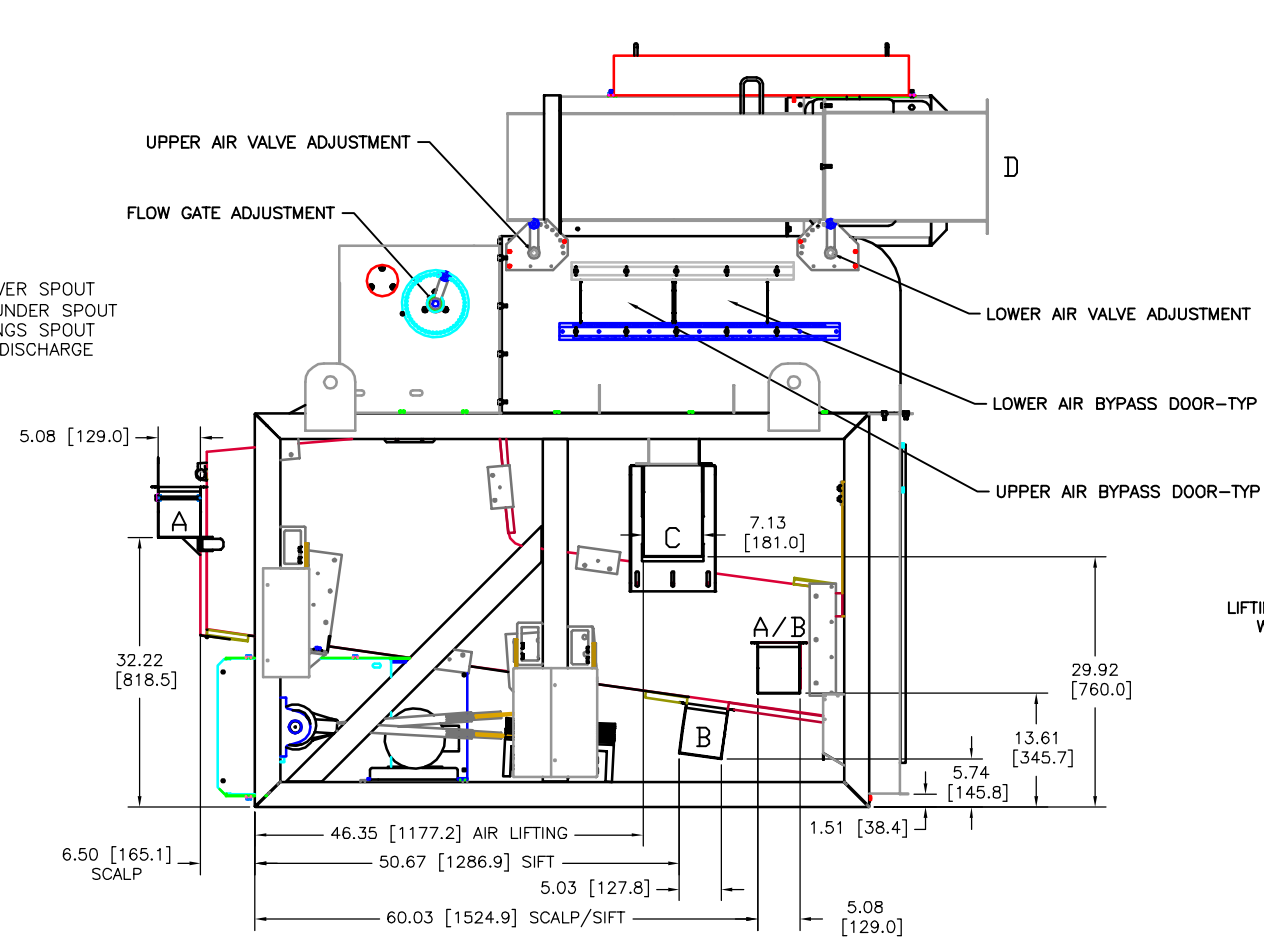
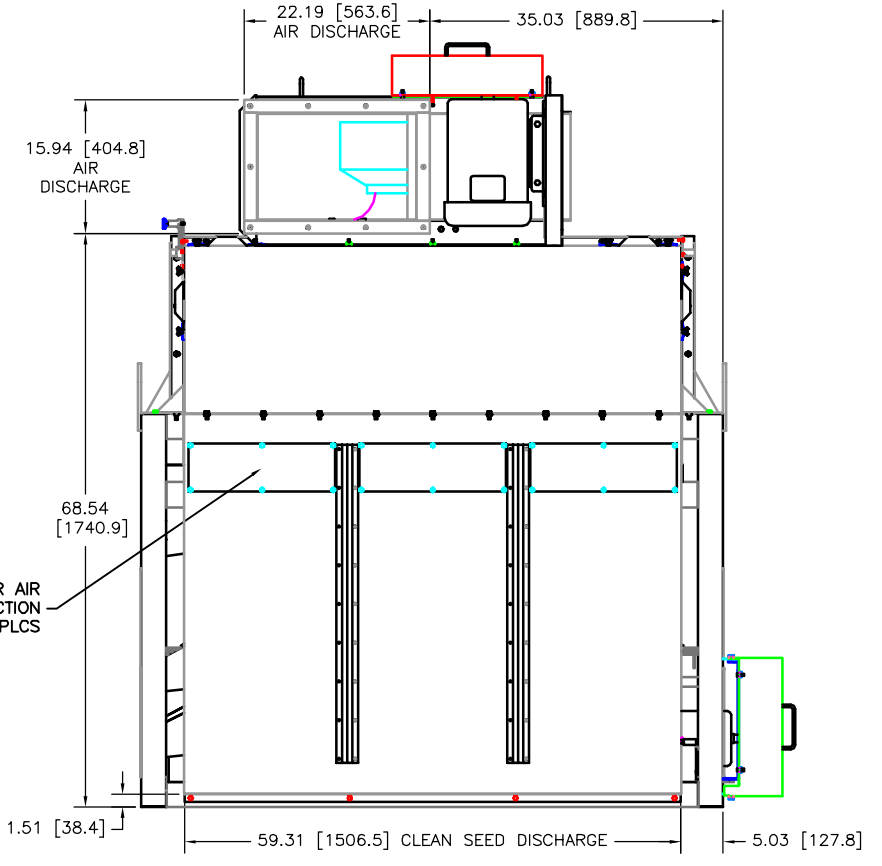


This drawing is the property of the A.T. Ferrell Company, Inc and must be returned immediately upon request. No part of this drawing may be reproduced, stored in a retrieval system or transmitted in any form or by any means, without prior written consent of the A.T. Ferrell Company, Inc

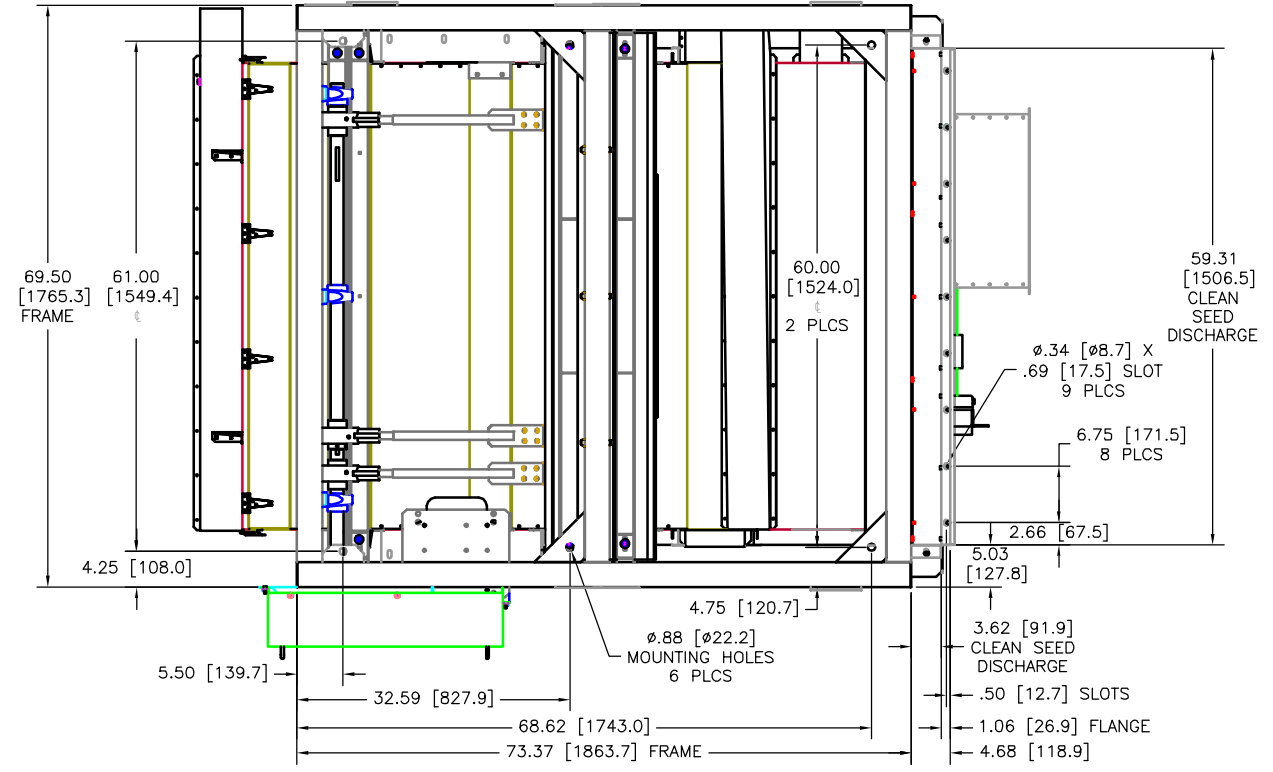
- A: SCALP/OVER SPOUT
- B: SIFTING/UNDER SPOUT
- C: AIR LIFTINGS SPOUT
- D: FAN AIR DISCHARGE



RIGHT SIDE VIEW



REAR VIEW



BOTTOM VIEW

- NOTES:
- 1: DO NOT SCALE FROM DRAWING.
 - 2: ALTERNATIVE UNITS [X.X] IN MILLIMETERS.
 - 3: RIGHT HAND MACHINE SHOWN.
 - 4: BASE PACKAGE SHOWN WITH AIR PACKAGE: F61260103, SHOE MNT FEEDER PACKAGE: F61260100 AND SPOUT DISCHARGE PACKAGE: F61260104.
 - 5: FAN AIR DISCHARGE: 5150 CFM/146 CMM.
 - 6: SHIPPING WEIGHT: 3800 lbs/1724 kg.
 - 7: FLOW ARRANGEMENTS AVAILABLE:
 - A. PRE-SCALP, TWO WAY SPLIT SIFT
 - B. PRE-SCALP, SCALP-SIFT
 - PRE-SCALP: ONE 26X54"[660.4X1371.6] SCREEN @ 5" PITCH
 - SPLIT SIFT & SCALP-SIFT: TWO 26X54"[660.4X1371.6] SCREENS, TWO DECKS @ 8" PITCH
 - 48.75 SQ FT/4.53 SQ METER TOTAL SCREEN AREA
 - 8: SIX 3/4"-8 GRADE 5 BOLTS RECOMMENDED TO LAG FRAME THRU FLOOR JOISTS.
 - 9: RECOMMENDED MAINTENANCE CLEARANCE FROM FRAME: 48.00" [1219] AT FRONT & SIDES, 12.00" [305] AT REAR.

A	F6126075	11/6/03	RELEASE PRINT	DJ/D
	STERECK/APR NOT	DATE	XXXXXX	BRN
			DESCRIPTION OF CHANGE	

CAD NO MANUAL CHANGES TOLERANCES (EXCEPT AS NOTED) DECIMAL: .XXX ± .005 .XX ± .030 FRACTIONAL: ± 1/32 ANGULAR: ± 1/2°			A DIVISION OF A.T. FERRELL COMPANY SINCE 1889 BLUFFTON, INDIANA, U.S.A.	
	FINISH: NONE	SCALE: 9/100	DRAWN BY: DJ	APPROVED BY: DMJ
	DRAWING TITLE: INSTALLATION, PRELUDE 526			
	DATE: 11/6/03	SIZE: D	DRAWING NO.: F61260000-1	SHEET: 2 of 3