

1800 SERIES *High Capacity One Screen* SCALPERS - SIFTERS

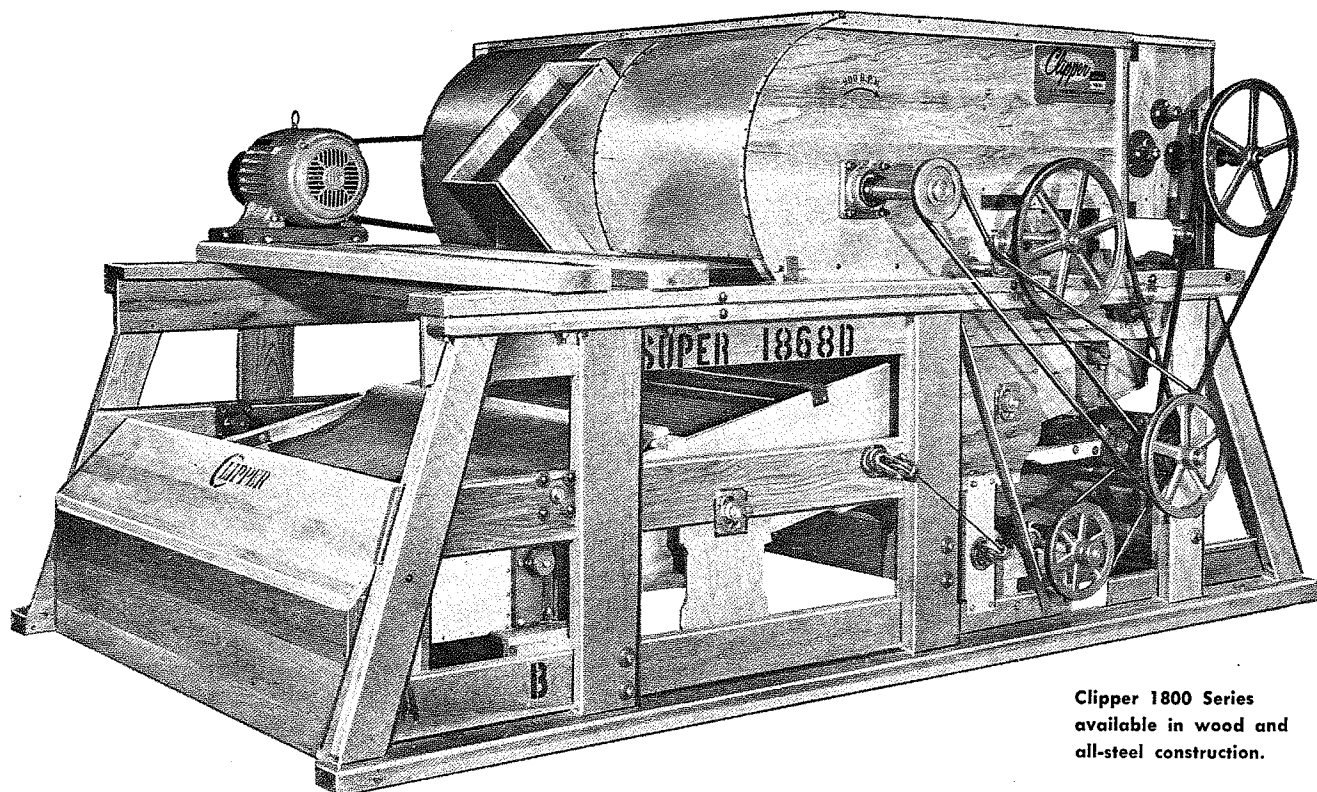
Scalp beans and grains at 2000 to 3000 bushels per hour
Sift beans and grains at **REDUCED** capacities . . . with or without top air

Scalper

Built especially for fast receiving and removing coarse materials such as pods, sticks, stems, leaves, etc. ahead of drying or storage. Likewise, it takes out large foreign objects which frequently come in with the grain . . . protecting elevators and other machines in the handling and processing line.

Sifter

This 1800 Series can be used as a single screen sifter at reduced capacities by using fine screens. In this case, the good commodity passes over the screen and the fine, waste material goes through the screen.



Clipper 1800 Series available in wood and all-steel construction.

	Wood	All-Steel
WITH AIR	1868-D	1868-DS
	1869-D	1869-DS

	Wood	All-Steel
WITHOUT AIR	1868-A	1868-AS
	1869-A	1869-AS

Each cleaner is furnished with one 3-piece screen . . . customer's choice . . . which makes up 54" wide by 86" long.

Low Headroom — Big Advantage!

The 1868-D model is only 63 inches high including the hopper and the top fan. The 1868-A is 58 inches high including the hopper. In either model, the cleaner frame itself is only 3 feet high.

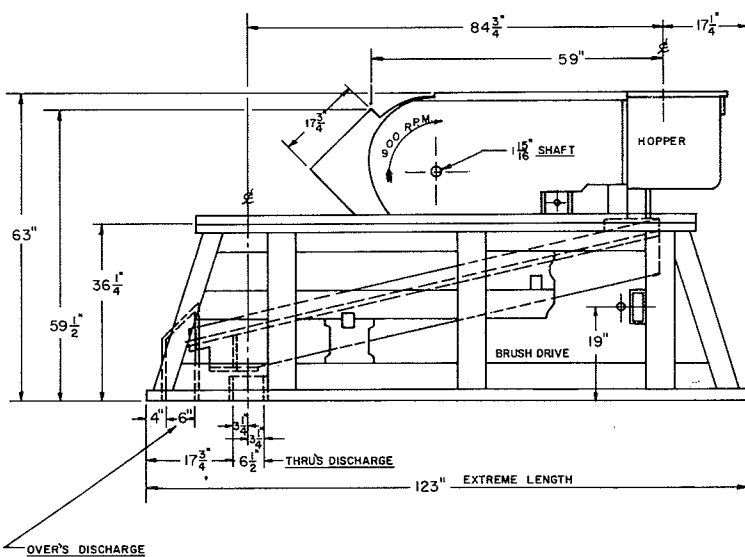
Low Cost of Operation!

The 1868-D, with top air, drives with a 5 h.p. motor and without the fan, requires only a 2 h.p. motor. (Price of cleaner does not include motor and drive.)

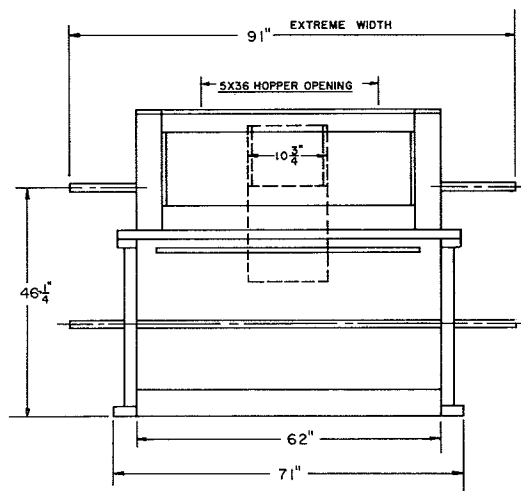
Top Air Suction provides two major advantages as described on reverse side. *The fact that it removes a large amount of the dust from the operation warrants special consideration as it contributes to plant safety and sanitation.*

1800 SERIES *One Screen* SCALPERS - SIFTERS

The following print indicates general arrangement and measurements of the 1868-D model. By eliminating the fan in the "A" model the hopper is mounted directly on the top sill which makes the overall height 5 inches less.



LEFT HAND ELEVATION



FRONT END VIEW

SPECIAL FEATURES

1. Hopper—High Speed Brush design—consists of a revolving spiked shaft and a fluted roll which force feed the commodity between the roll and a special brush. This spreads a steady flow of grain across the full width of the screen. Various special purpose hoppers are available.

2. Top Suction Air (applied to "D" models) — provides a two-way advantage:

- a) It rids the commodity of light trash before it reaches the screen. This permits peak scalping or sifting capacities because this undesirable material is rapidly lifted out leaving the machine free to perform its screen job.
- b) Equally important, this feature lifts the dust raised by grain flowing into and from the hopper and carries it up and out into the dust house.

3. Commodity Flow — when used as a Scalper the good commodity goes through the screen and discharges from the Thrus Discharge Spout. The foreign material passes over the screen and discharges from the Overs Discharge Spout. The flow is reversed when screened as a Sifter. The good commodity is held up by the screen and discharges from the Overs Discharge and the waste material goes through the screen and discharges from the Thrus Discharge.

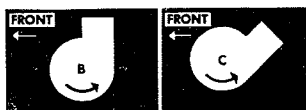
- a) A. T. Ferrell and Company carries a stock of over 200 different openings of wire mesh and perforated steel from which the exact screens needed are selected.

4. Automatic Screen Cleaning Brushes — a pair of brushes sweep the underside of the screen keeping the perforations free from debris. This arrangement is driven by a powerful chain type ball bearing brush drive. Nylon bristles are standard equipment.

SPECIFICATIONS

	1868-A (AS)	1868-D (DS)	1869-A (AS)	1869-D (DS)
Screen Size (in.)	54 x 86	54 x 86	42 x 86	42 x 86
Overall Length (in.)	123	123	123	123
Overall Width (in.)	91	91	79	79
Overall Height (in.)	58	63	58	63
Drive Shaft (r.p.m.)	425	900	425	900
Required H.P. (1750 r.p.m.)	2	5	2	5
Approx. Ship. Wt.—Wood (lbs.)	1650	2850	1500	2700
Approx. Ship. Wt.—Steel (lbs.)	2200	3400	2050	3250
Fan Outlet (inside dia. in.)		9 1/4 x 17 3/4		7 1/2 x 17 3/4
Total CFM		3000		2300
Recommended Clipper Collector		No. 14—80" dia.		No. 12—75" dia.

STANDARD FAN POSITIONS



Elbow segments available for various other angles at additional cost.