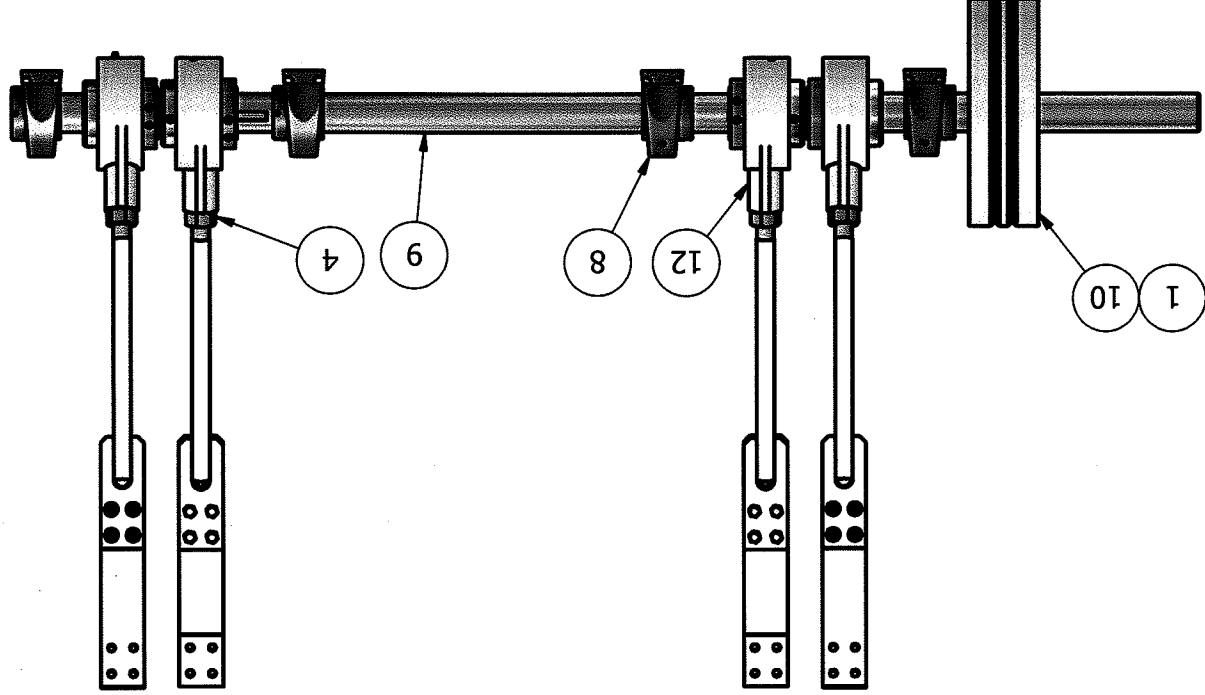
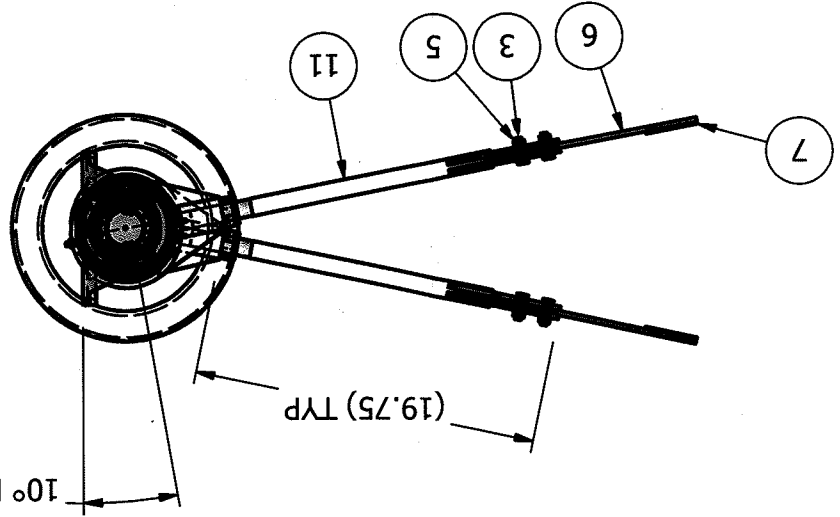
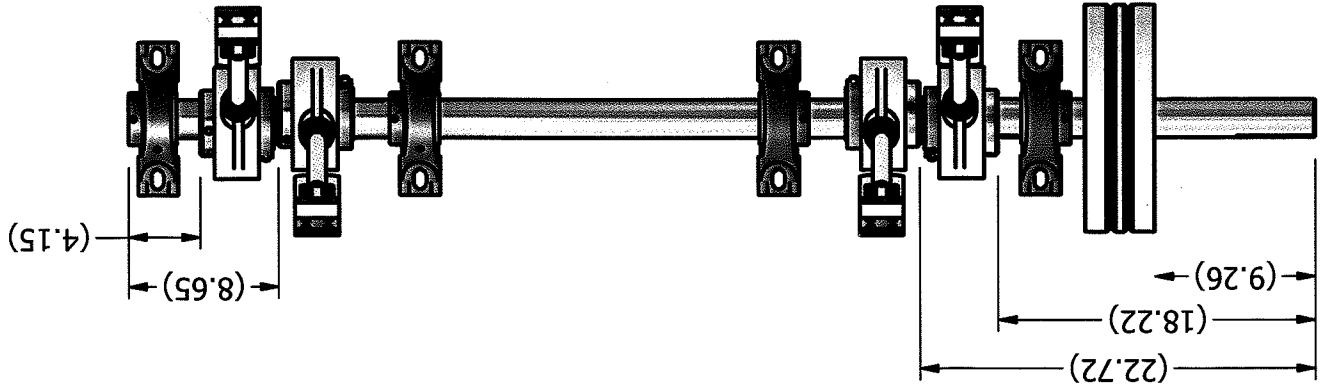


REV	A
ECN	F100171

REVISION HISTORY

DESCRIPTION	RELEASED	DATE	APPROVED
		8/16/2010	SH

NOTES:
 1. DO NOT SCALE FROM DRAWING.



ITEM	PART NUMBER	QTY	DESCRIPTION
12	F92053051	4	ECCENTRIC ASSY, 2.18 BRG .50 THROW NG
11	F90006027	4	PITMAN ARM W/DMT, NG
10	F62240060	1	FLYWHEEL W/DMT, TITAN
9	F62240056	1	SHAFT, ECC RH 2.188" TITAN
8	F40000081	4	BEARING, PB 2.188" RAK
7	F11303666	4	BACK PLATE, PITMAN CONN, ECCENTRIC, NG
6	F11303662	4	CONNECTOR, PITMAN ECCENTRIC, NG
5	66784400	16	NUT, HEX SERR LOCK 3/8-16
4	66087400	4	NUT, HEX 1-8
3	62584426	16	HHCS, 3/8-16 X 1.25"
2	49001064	4	KEY, 1/2" SQ X 4.00"
1	49001048	1	KEY, 1/2" SQ X 3.00"

This drawing is the property of the A.T. Ferrell Company, Inc and must be returned immediately upon request. No part of this drawing may be reproduced, stored in a retrieval system or transmitted in any form or by any means, without prior written consent of the A.T. Ferrell Company, Inc

CAD

NO MANUAL CHANGES

TOLERANCES EXCEPT AS NOTED

DIVISION OF A. T. FERRELL COMPANY
 SINCE 1869
 SEPARATION TECHNOLOGIES
 BLUFFTON, INDIANA - USA

DECIMAL: xxx ± .005
 FRACTIONAL: ± 1/32
 ANGULAR: ± 1/2°

DATE: 8/31/2010
 SIZE: B
 PART NUMBER: F67680016
 SHEET: 1 of 1

F67680016