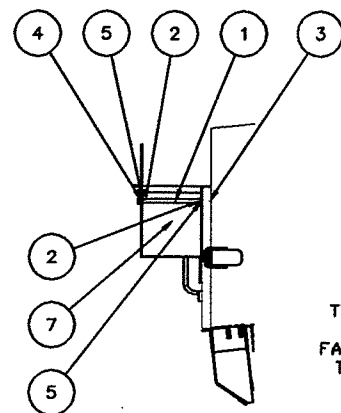
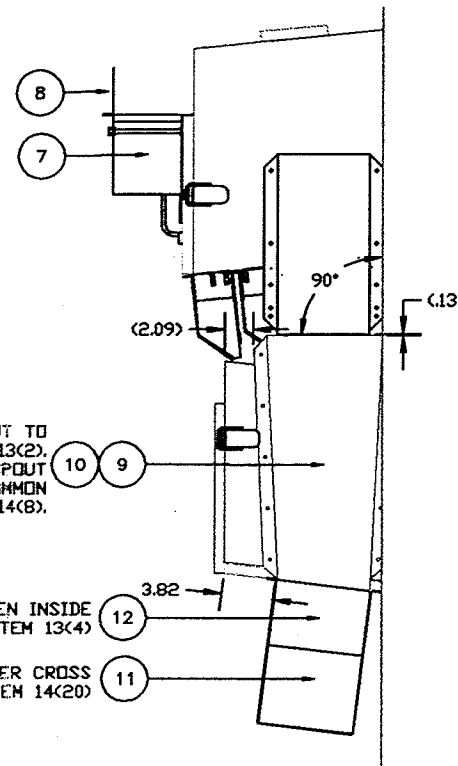


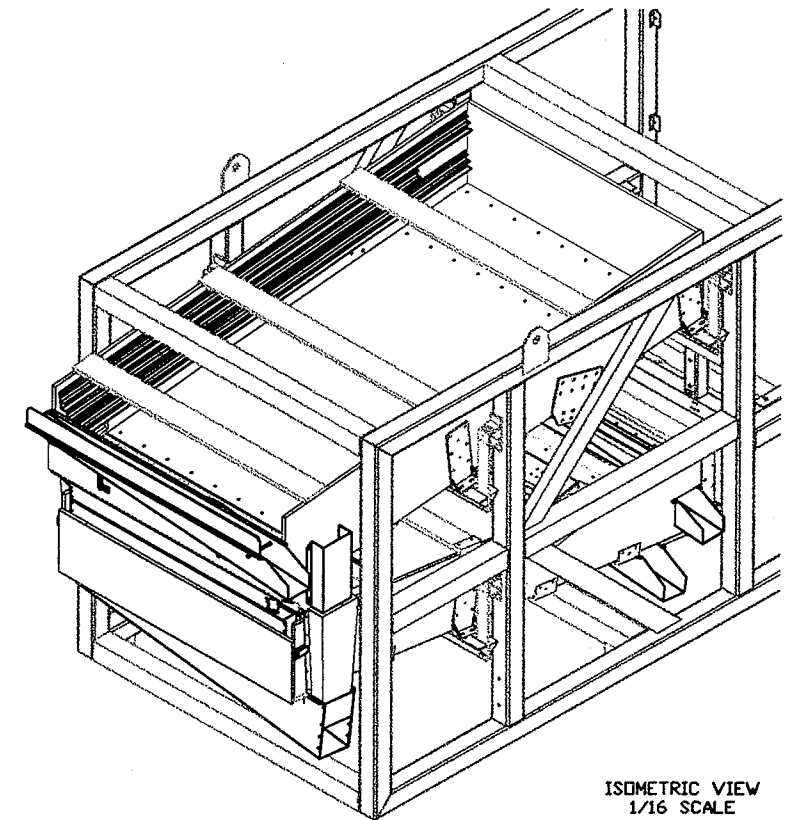
DOOR DETAIL, TOP SHOE- 1/8 SCALE



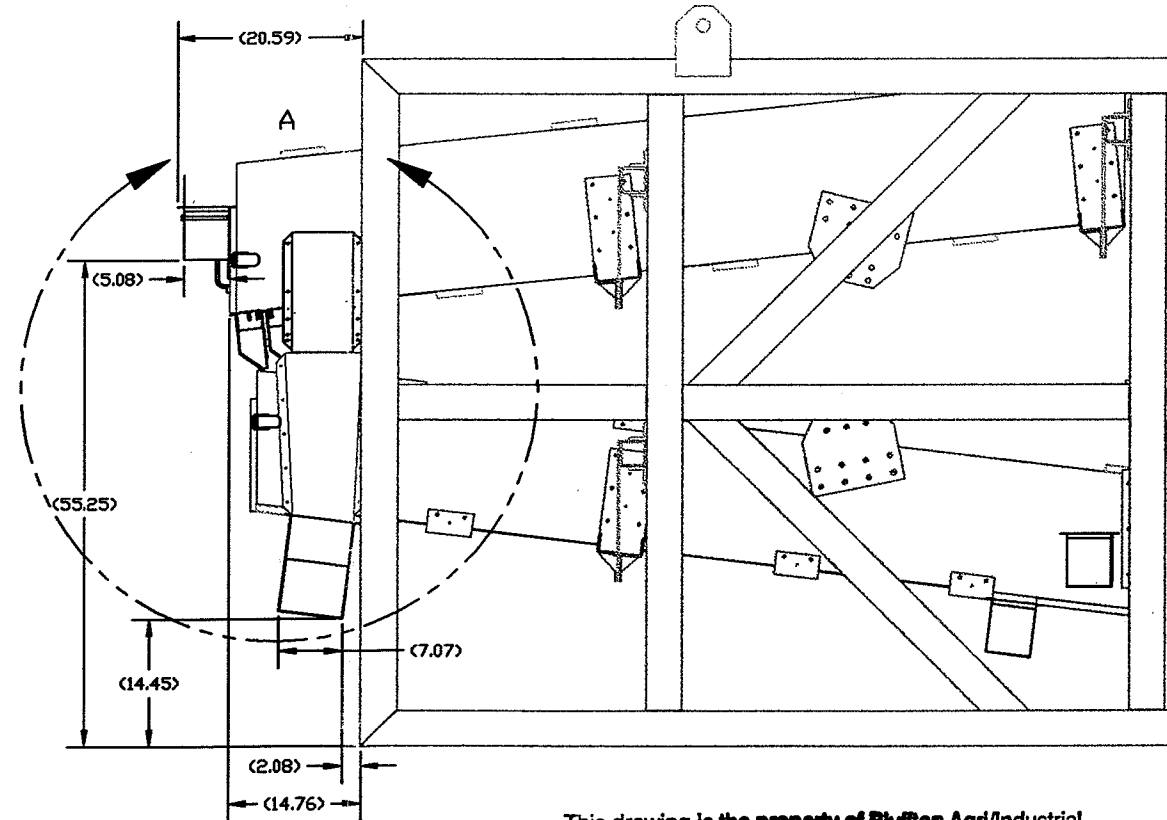
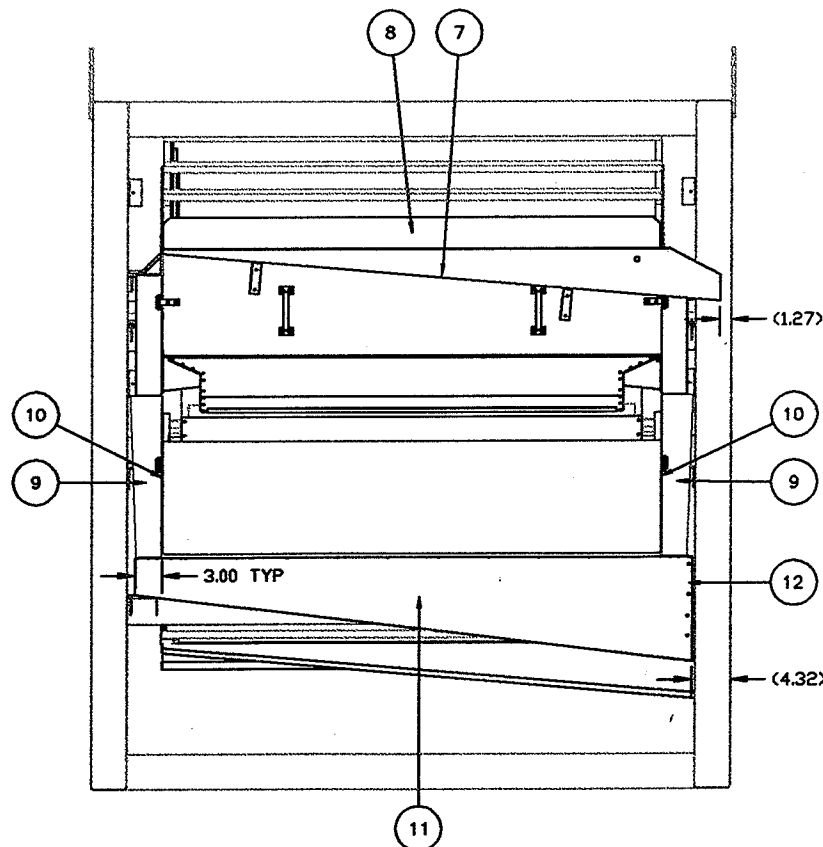
TYP, FASTEN SIDE SPOUT TO BACK PLATE W/ITEM 13(2). FASTEN BACK PLATE & SPOUT TO SHOE SIDE THRU COMMON HOLES W/ITEM 14(8).



VIEW A
9/64 SCALE



ISOMETRIC VIEW
1/16 SCALE



| Item | PART NUMBER | Qty | DESCRIPTION |
|------|-------------|-----|---|
| 15 | F9000001 | 2 | HANDLE, S14810 |
| 14 | F83453402 | 59 | SCW, SMS #8 X 3/4" PAN HD |
| 13 | F83200011 | 23 | RIVET-POP SDS64 .188X.125-.250" |
| 12 | F69681263 | 1 | END, DISCHARGE SPOUT 768-968 |
| 11 | F69681262 | 1 | SPOUT, DISCHARGE, 768-968 |
| 10 | F61001336 | 2 | BACK PLATE, SIDE SPOUT II, BTM SHOE 486 |
| 9 | F61001328 | 2 | COVER, SIDE SPOUT II, BTM SHOE, 486 |
| 8 | F61001214 | 1 | DEFLECTOR, SPOUT 1360/1386 |
| 7 | F61001207 | 1 | SPOUT, DISCHARGE 1360/1386 |
| 6 | F61001008 | 2 | SUPPORT, DISCHARGE SPOUT 1360/1386 |
| 5 | 66443800 | 2 | WASHER, LOCK 5/16" PLT |
| 4 | 66403800 | 1 | WASHER, FLAT 5/16" PLT |
| 3 | 66383800 | 1 | T-NUT, 5/16-18 |
| 2 | 66083800 | 2 | HEX NUT, 5/16-18 PLT |
| 1 | 60143860 | 1 | BOLT, TAP HX HD 5/16-18 x 6.00" |

NOTES:
1: DO NOT SCALE FROM DRAWING.
2: SEE F61001025 FOR COMMON DISCHARGE PACKAGE, 486.
3: RIGHT HAND DISCHARGE SHOWN. ASSEMBLE SPOUTS F61001207 & F69681262 OPPOSITE FOR LEFT HAND. SEE SALES ORDER.

This drawing is the property of Bluffton Agri/Industrial Corp. and must be returned immediately upon request. No part of this drawing may be reproduced, stored in a retrieval system or transmitted in any form or by any means, without the prior written consent of Bluffton Agri/Industrial Corp.

| DATE | BY | DESCRIPTION OF CHANGE |
|----------|-----|-----------------------|
| 1/22/00 | XXX | ISSUING |
| 11/28/99 | XXX | REVISION |
| 11/28/99 | XXX | REVISION |

CAD NO MANUAL CHANGES

TOLERANCES (EXCEPT AS NOTED)

SCALE: 3/32

DATE: 1/22/00

DRAWING NO.: F61001035

SHEET: 1 of 1