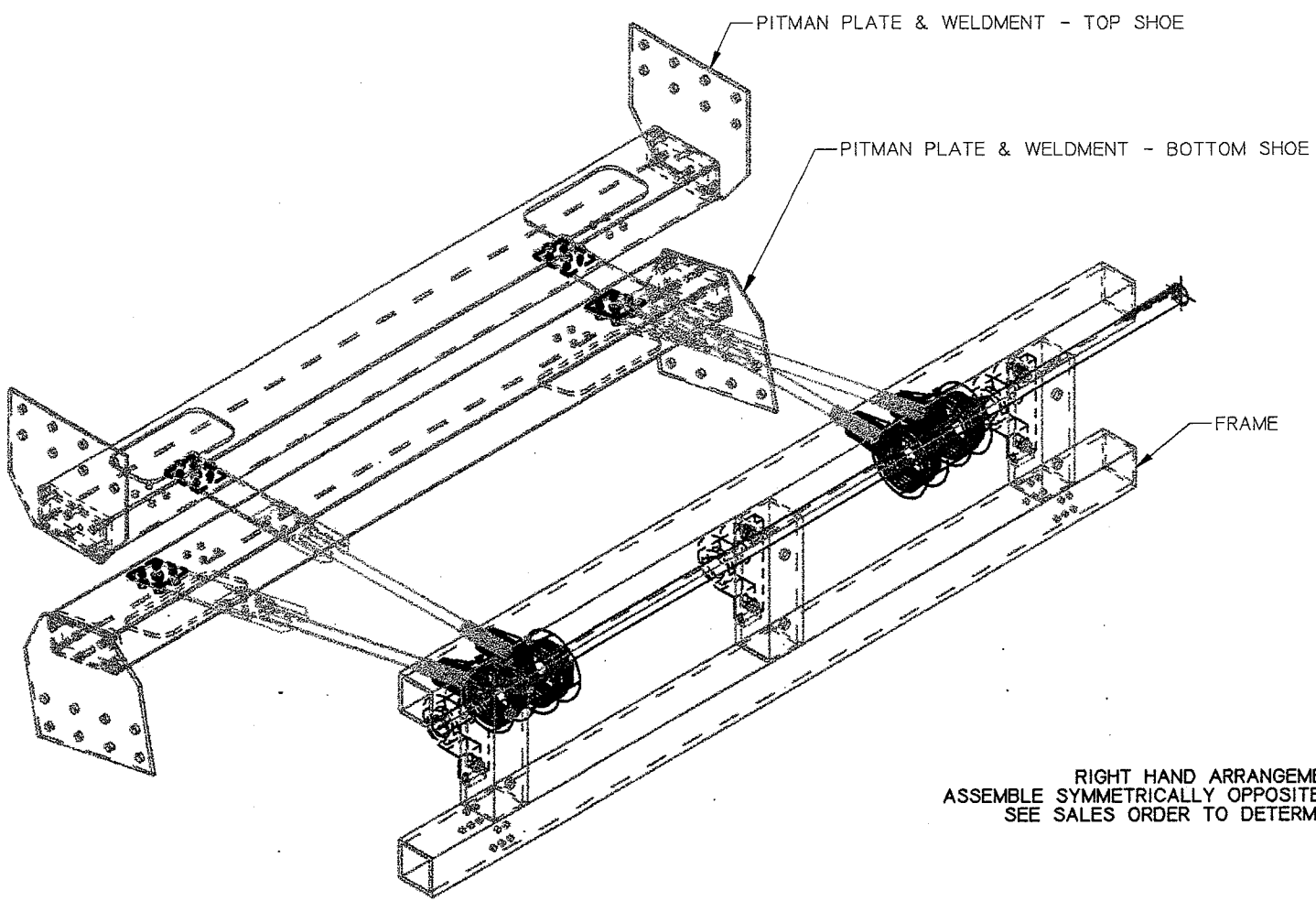
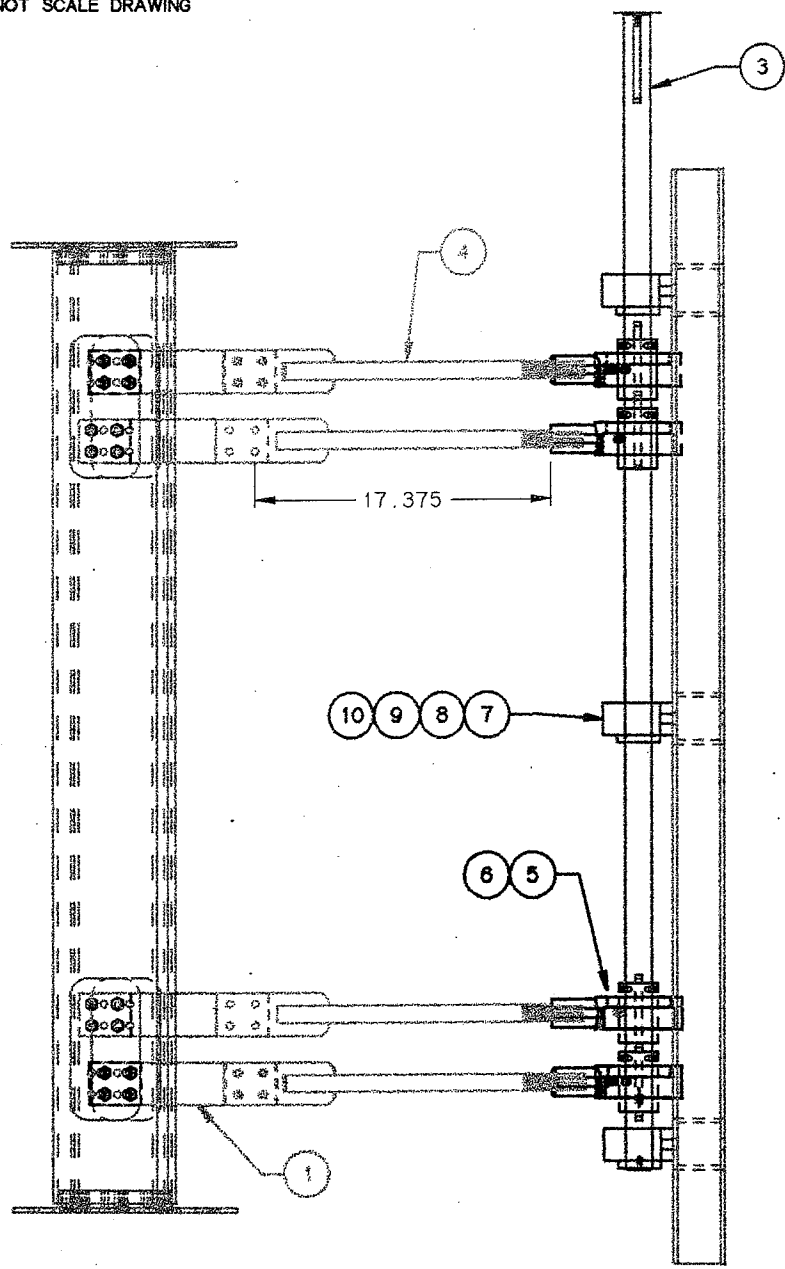
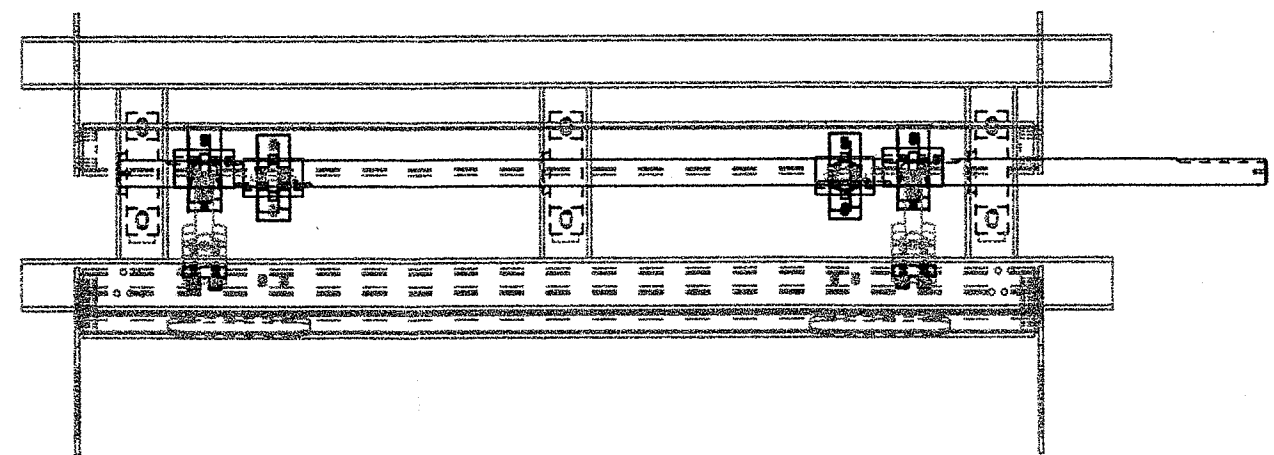
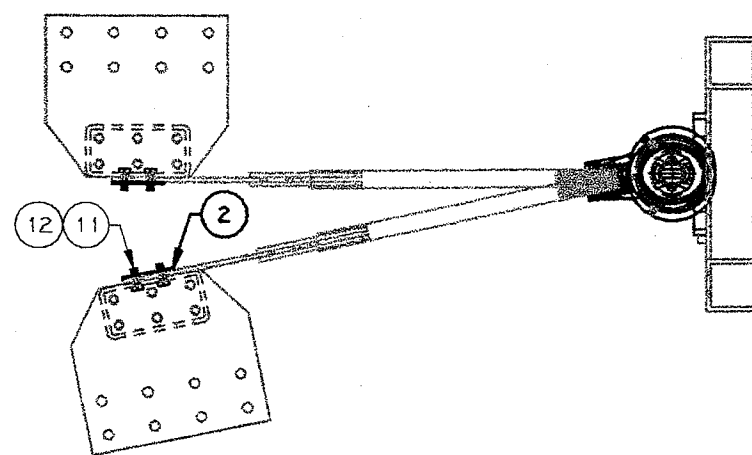


QTY	SCALE NO.	DATE	DESCRIPTION OF CHANGE	DR / CR
-	F960076	12/30/96	RELEASE	DJ -

NOTES:  
1.) DO NOT SCALE DRAWING



RIGHT HAND ARRANGEMENT SHOWN  
ASSEMBLE SYMMETRICALLY OPPOSITE FOR LEFT HAND DRIVE  
SEE SALES ORDER TO DETERMINE ARRANGEMENT



12	66784400	32	3/8-16 HEX LOCK NUT
11	62584426	16	3/8-16 X 1-1/4" HEX HD CAP SCW
10	70010003	6	1/2-13 NYLON LOCK NUT
9	66405200	12	1/2" FLAT WASHER
8	F82041208	6	1/2-13 X 5-1/2" HEX HD CAP SCW
7	F92401080	3	BEARING PB 1-1/2 RAK
6	49000848	4	KEY 3/8 SQ X 3.0"
5	F92053445	4	ECC ASSY 1/2" THROW, 1-1/2" BORE
4	F90006027	4	PITMAN ARM WELDMENT
3	F6100015	1	ECCENTRIC SHAFT 1360/1386
2	F11303666	4	PITMAN CONNECTOR BACK PLATE
1	F11303662	4	PITMAN CONNECTOR
ITEM	PART NO.	QTY	DESCRIPTION

**CAD**  
NO MANUAL CHANGES  
TOLERANCES EXCEPT AS NOTED

**Life**  
SEPARATION TECHNOLOGIES  
A DIVISION OF HOFFMAN LAMB CORP. SINCE 1969  
DEEFFTON, INDIANA, U.S.A.

FORM: NONE  
SCALE: 3/16  
DRAWN BY: DJ  
APPROVED BY: -

STRUCTURAL  
± 1/32  
ANGULAR  
± 1/2°

ECCENTRIC ASSY, 1360/1386

DATE: 12/30/96  
REV: D  
DRAWING NO.: F6100014  
PAGE: 1 OF 1