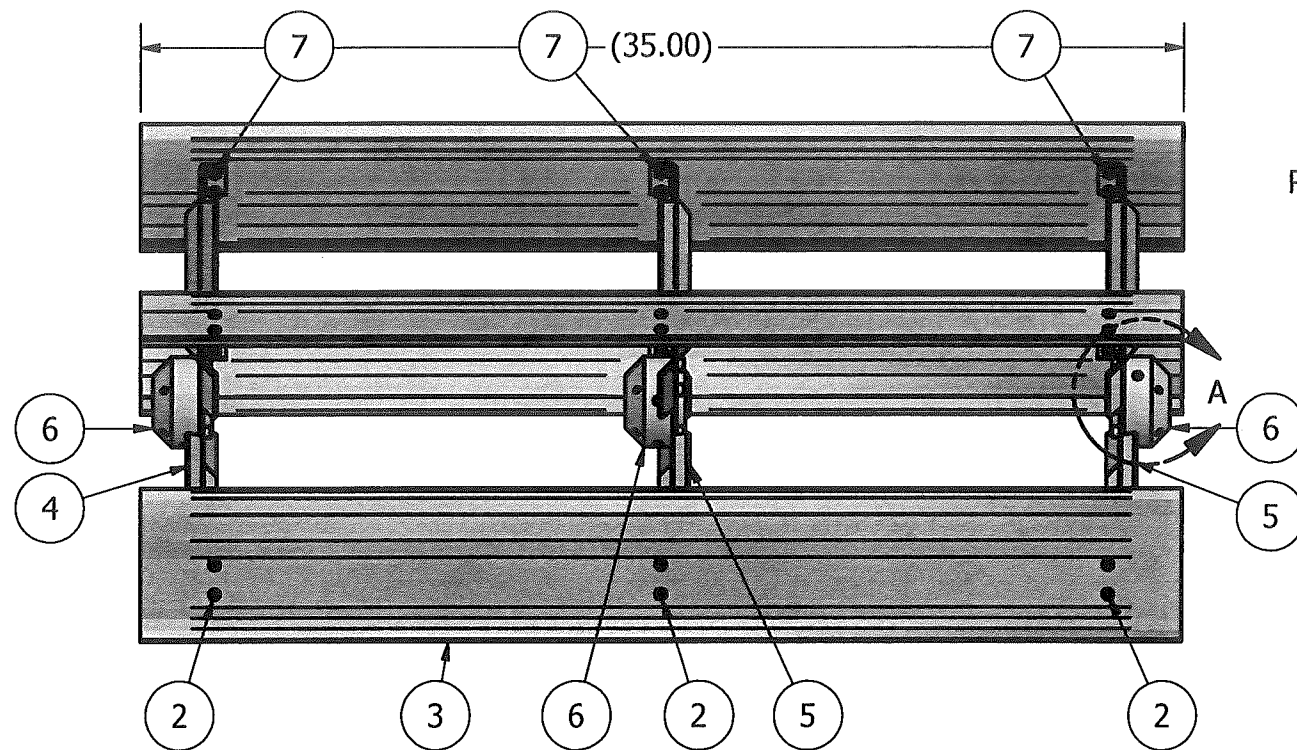
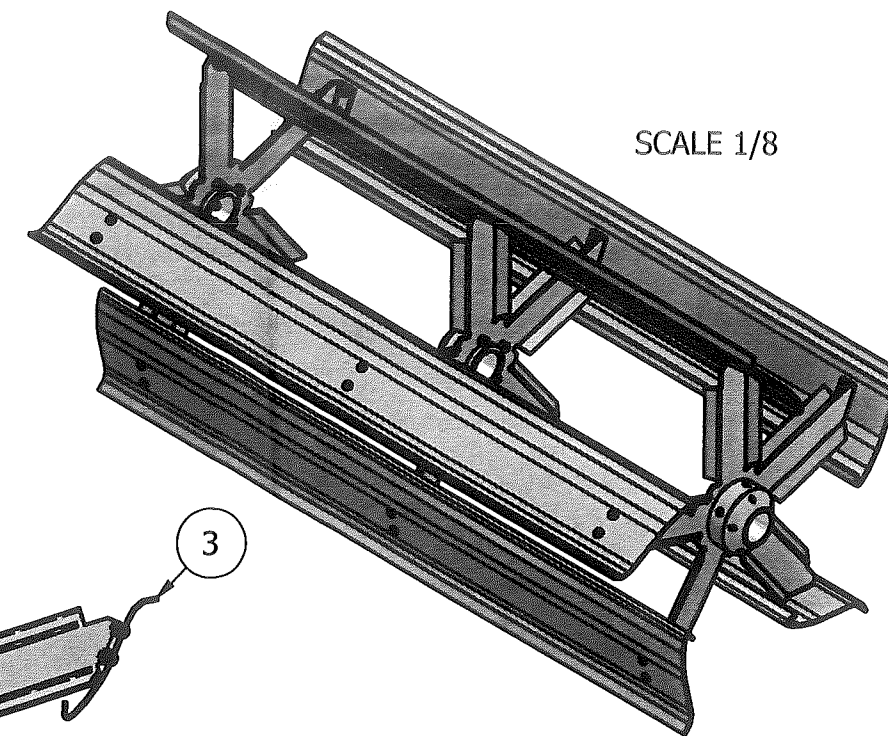
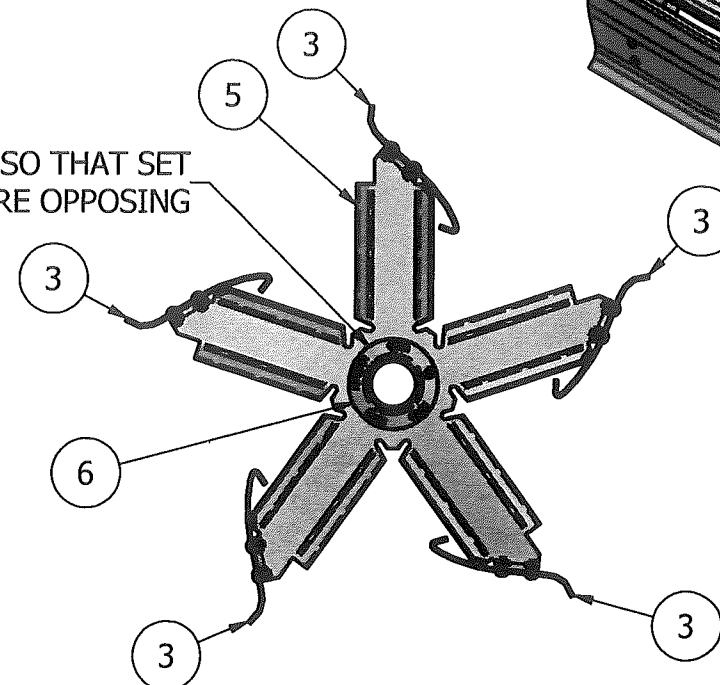


REVISION HISTORY

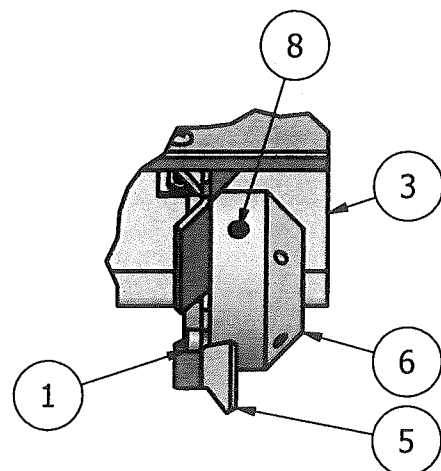
REV	ECN	DESCRIPTION	DATE	APPROVED
A	F010001	RELEASE	1/31/2001	dmjohnson
B	F080035	65482212 WAS 45 PCS	3/28/2008	dmjohnson
C	F090107	62282712 & F82631032 WAS 65482212	4/8/2009	dmjohnson



ROTATE BEARING SO THAT SET SCREW HOLES ARE OPPOSING



SCALE 1/8



DETAIL A
SCALE 0.31 : 1

ITEM	PART NUMBER	QTY	DESCRIPTION
8	F84053805	6	SCW, SET 3/8-16 X 5/8" KNURL CUP
7	F82631032	30	NUT, KEPS 10-32
6	F61003024	3	COLLAR, FAN SPIDER, BTM FAN, CONQUEST
5	F61003022	2	SPIDER, LH, BOTTOM FAN, CONQUEST
4	F61003021	1	SPIDER, RH, BOTTOM FAN, CONQUEST
3	F60002104	5	AIRFOIL, FAN, ECLIPSE 334
2	62282712	30	SCW, MACH 10-32 X 1/2" PAN CROSS HEAD
1	61283317	15	SHCS, 1/4-20 X 3/4"

- NOTES:
- DO NOT SCALE FROM DRAWING.
 - ONE PIECE REQUIRED PER F60002100: HOUSING ASSY, FAN, ECLIPSE 334.

This drawing is the property of the A.T. Ferrell Company, Inc and must be returned immediately upon request. No part of this drawing may be reproduced, stored in a retrieval system or transmitted in any form or by any means, without prior written consent of the A.T. Ferrell Company, Inc

CAD

NO MANUAL CHANGES

TOLERANCES
EXCEPT AS NOTED

DECIMAL:
xxx ± .005
xx ± .030

FRACTIONAL:
± 1/32

ANGULAR:
± 1/2°

CLIPPER SEPARATION TECHNOLOGIES SINCE 1869

DIVISION OF A. T. FERRELL COMPANY BLUFFTON, INDIANA - USA

FINISH: NONE	SCALE: 0.16:1	DRAWN BY: dmjohnson	APPROVED BY: DMJ
-----------------	------------------	------------------------	---------------------

TITLE: FAN WHEEL ASSY, ECLIPSE 334

DATE: 3/27/2008	SIZE: B	PART NUMBER: F60002101	SHEET: 1 of 1
--------------------	------------	---------------------------	------------------