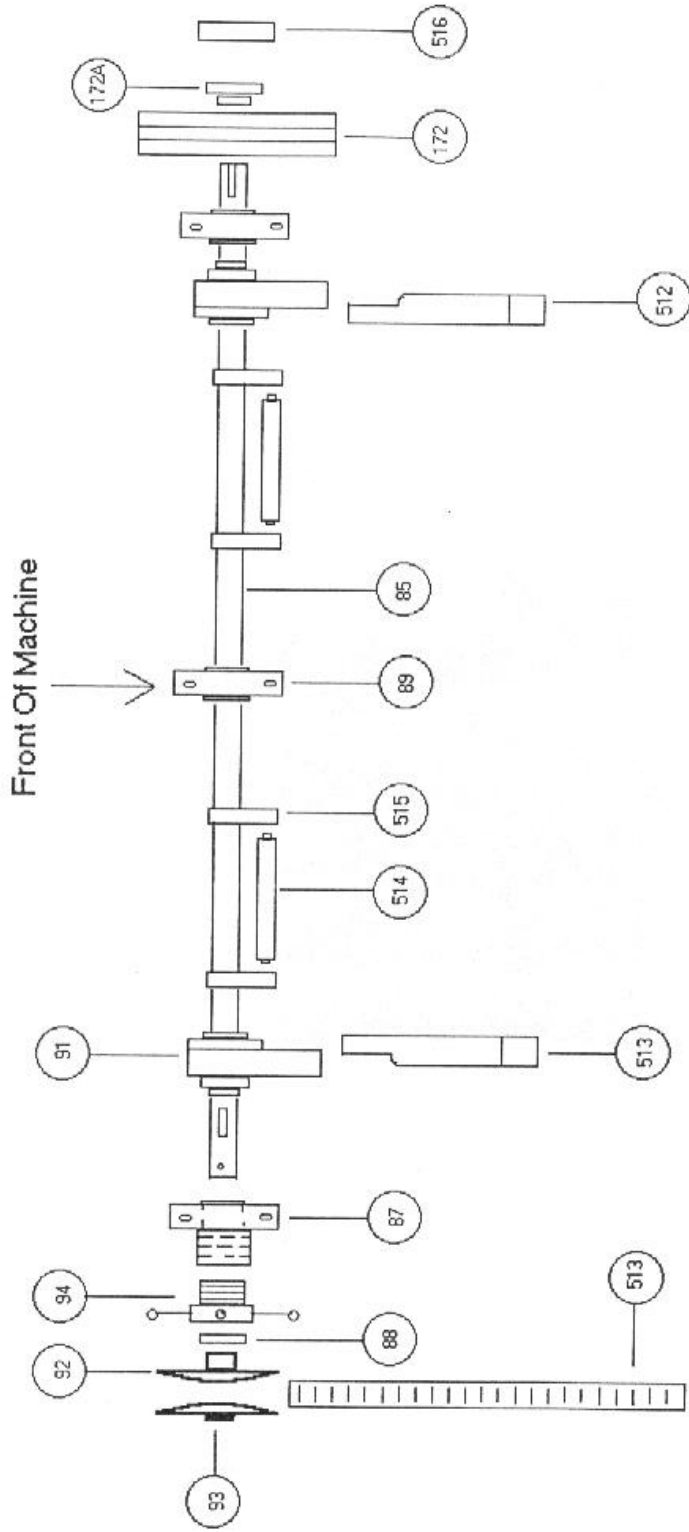
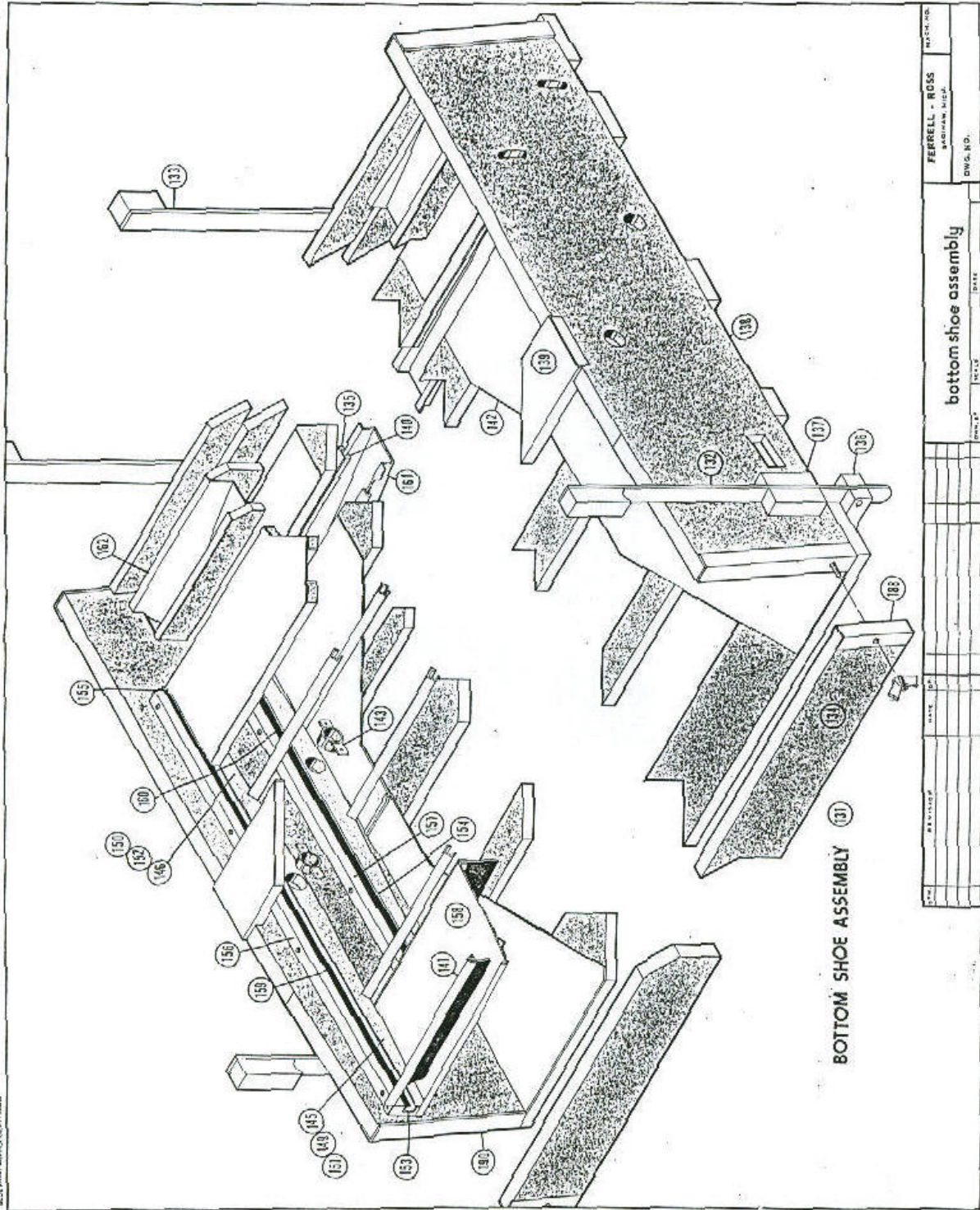


**64 BOTTOM  
FAN SHAFT ASSEMBLY 2**

MACH. NO.		FERRELL - ROSS	
		SABINAW, MICH.	
		DWG. NO.	
		fan shaft assembly 2	
		DWG. NO. 1000 10000 10000	
REV.	REVISION	DATE	BY

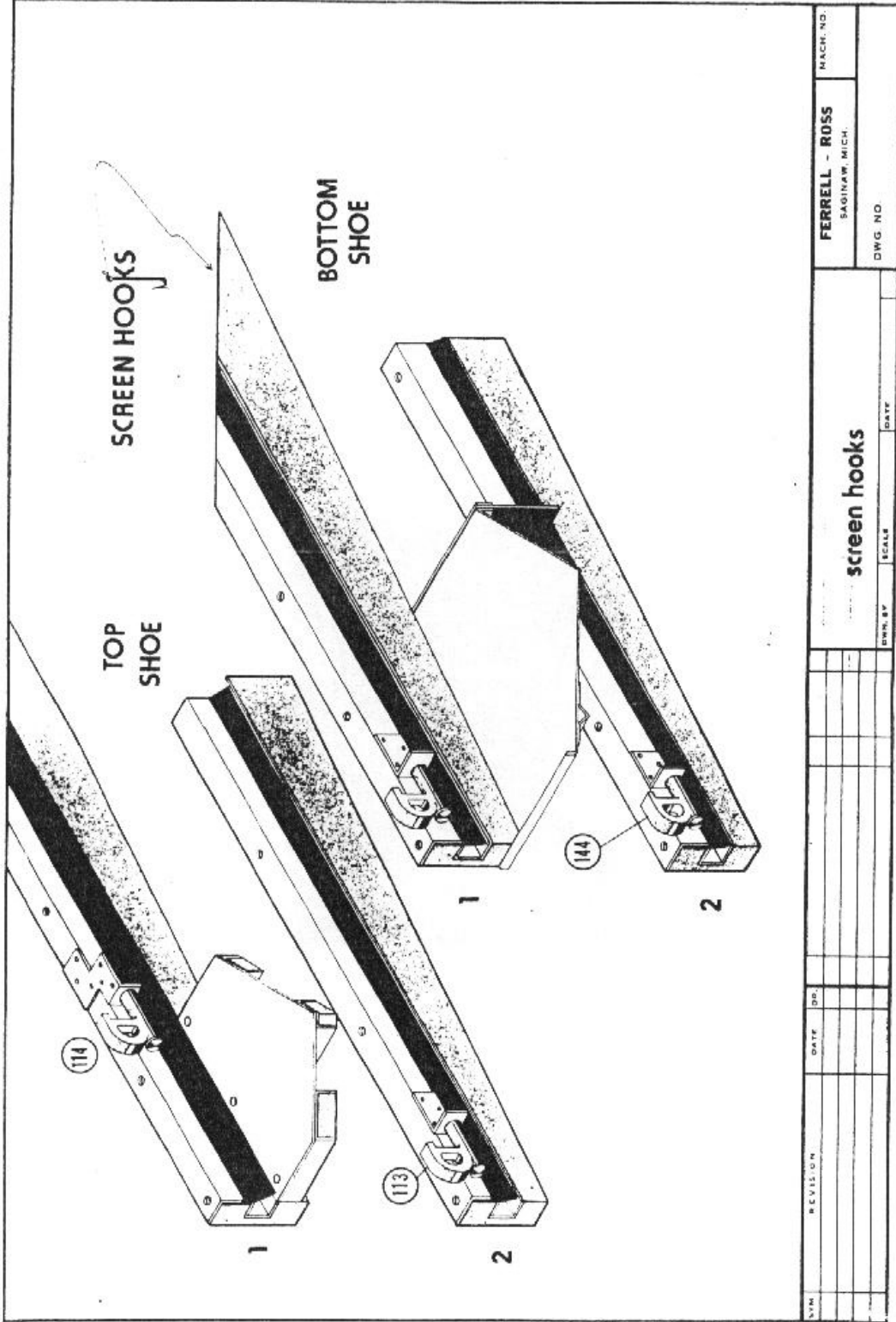
# Eccentric Shaft For 60 Series





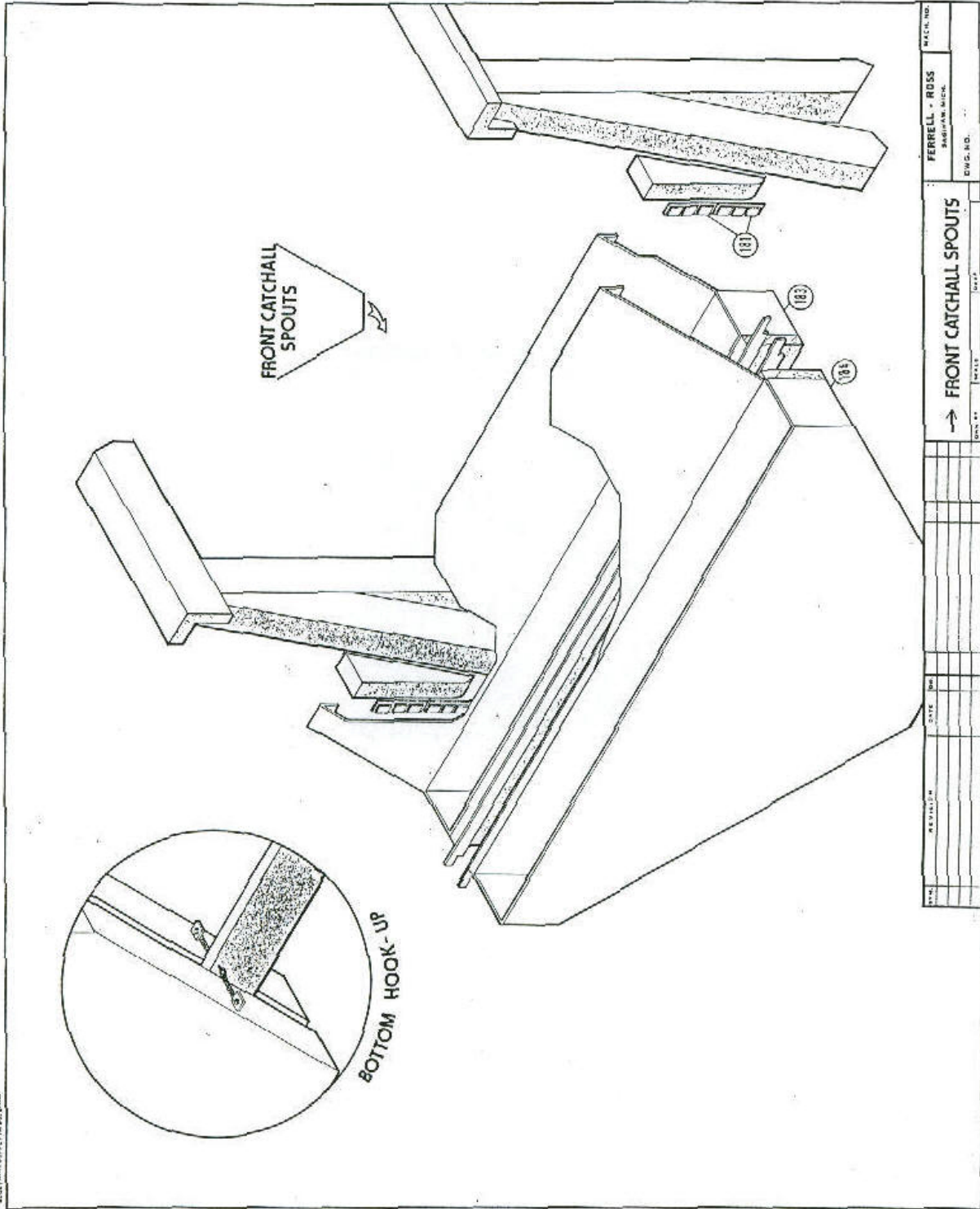


REPL. NO. 17 SUPPLY UNIT 12-15-1754



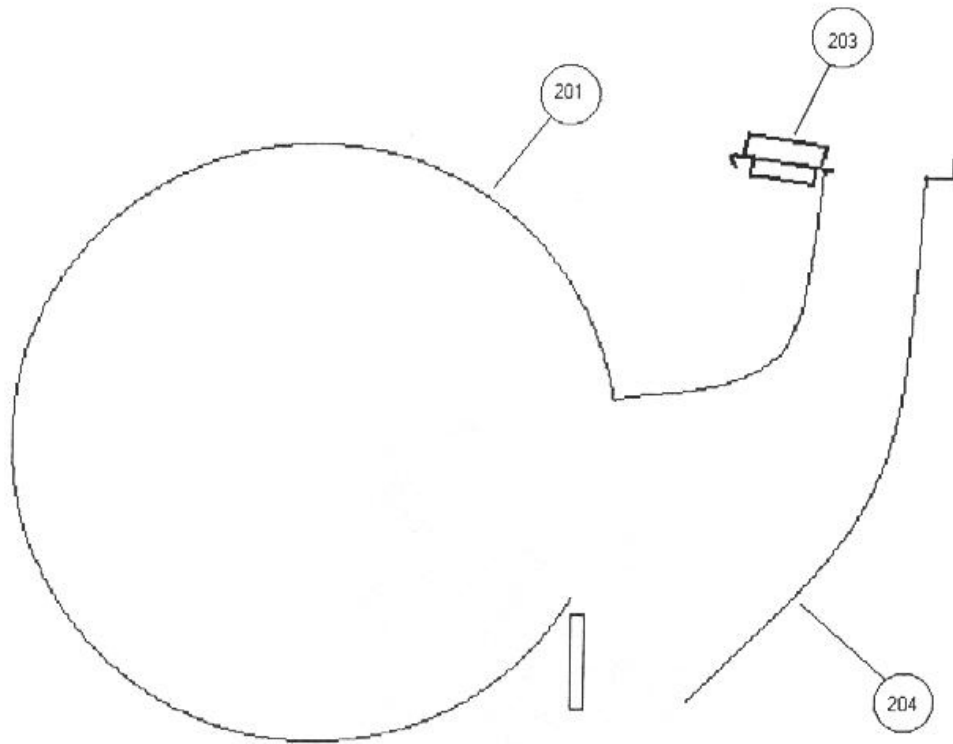
DATE	DR.	DATE	DR.	DATE	DR.	DATE	DR.	DATE	DR.
REVISION									
screen hooks									
DRAWN BY		SCALE		DATE					
FERRELL - ROSS		SAGINAW, MICH.		DWG. NO.		MACH. NO.			



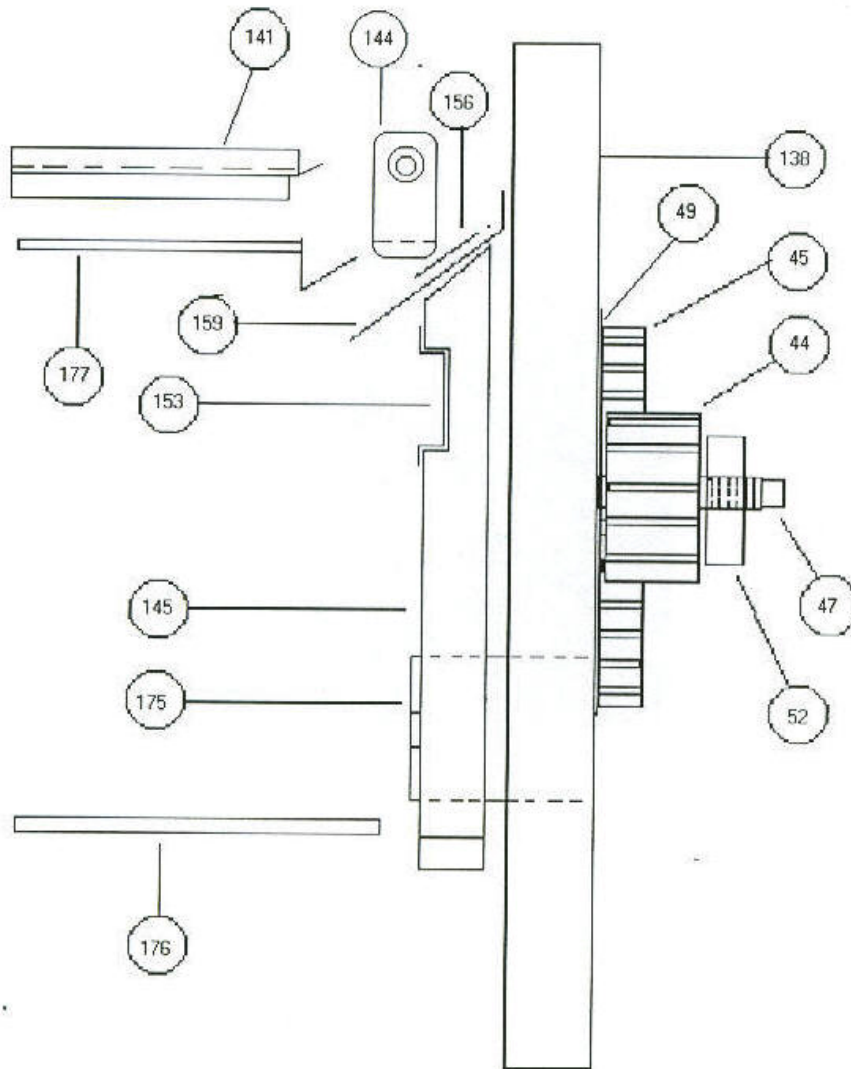


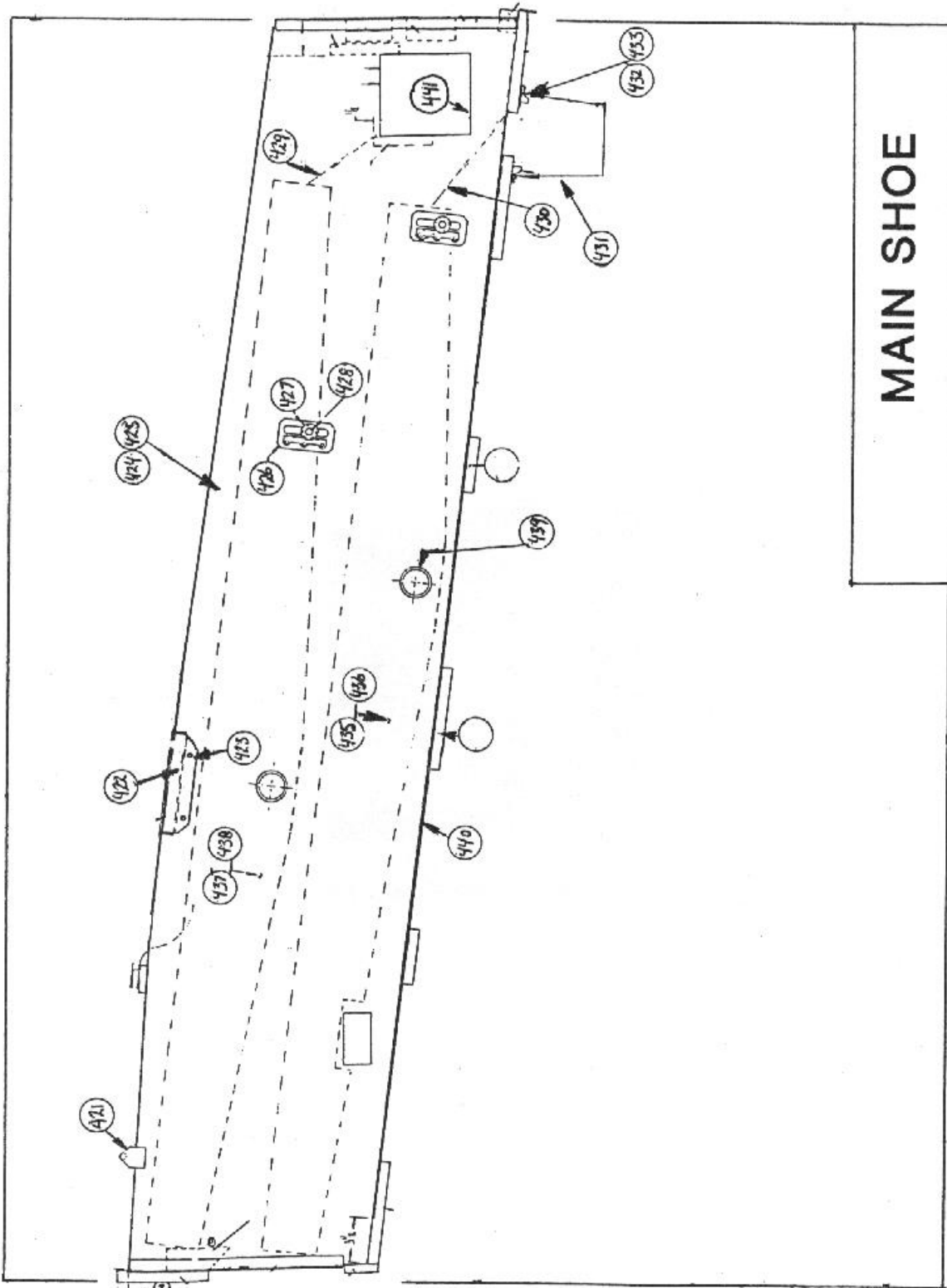


# Bottom Fan Metal



# Rocker Assembly View Brush Style





MAIN SHOE

# Scalper Shoe Assembly View

## Brush Style

