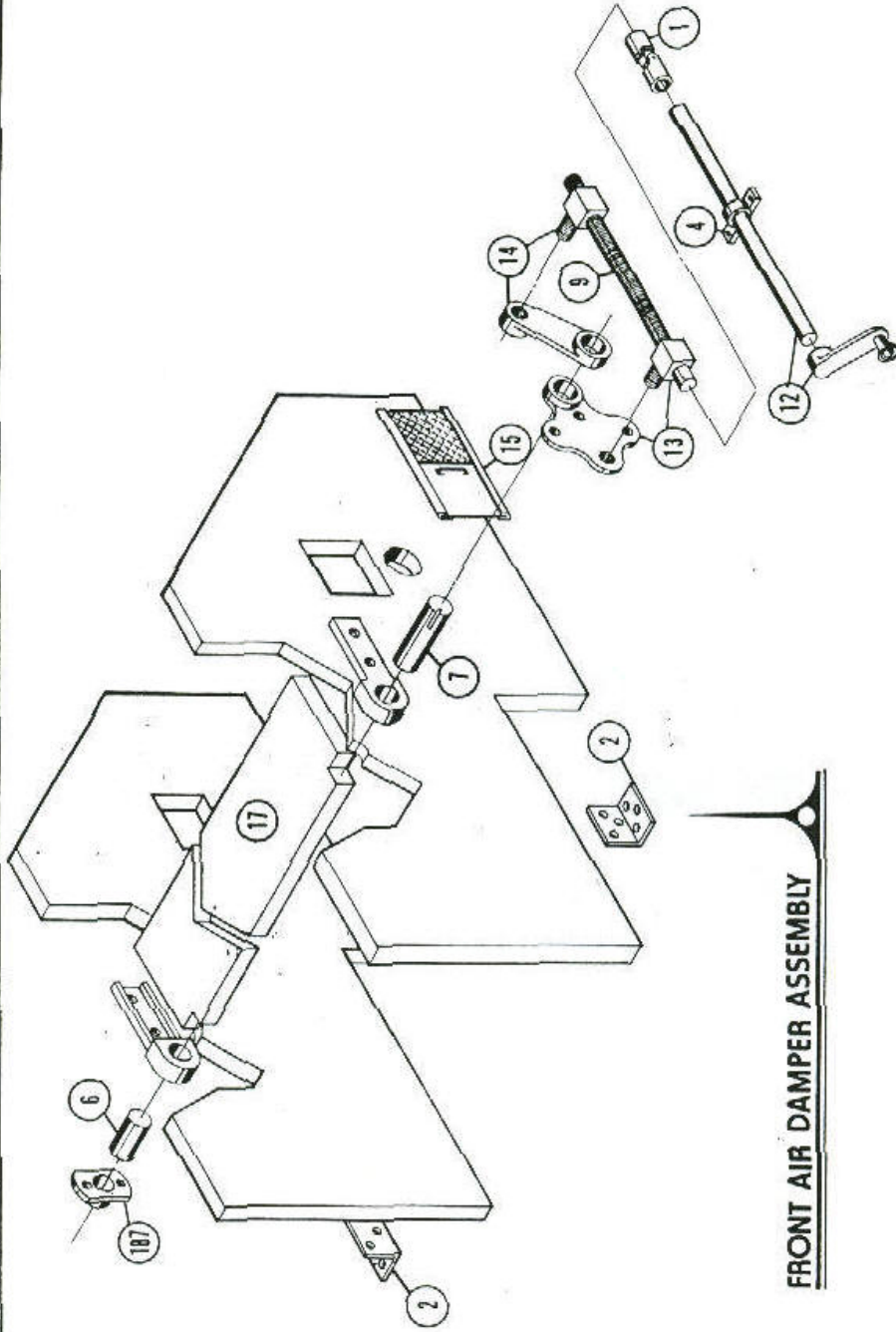
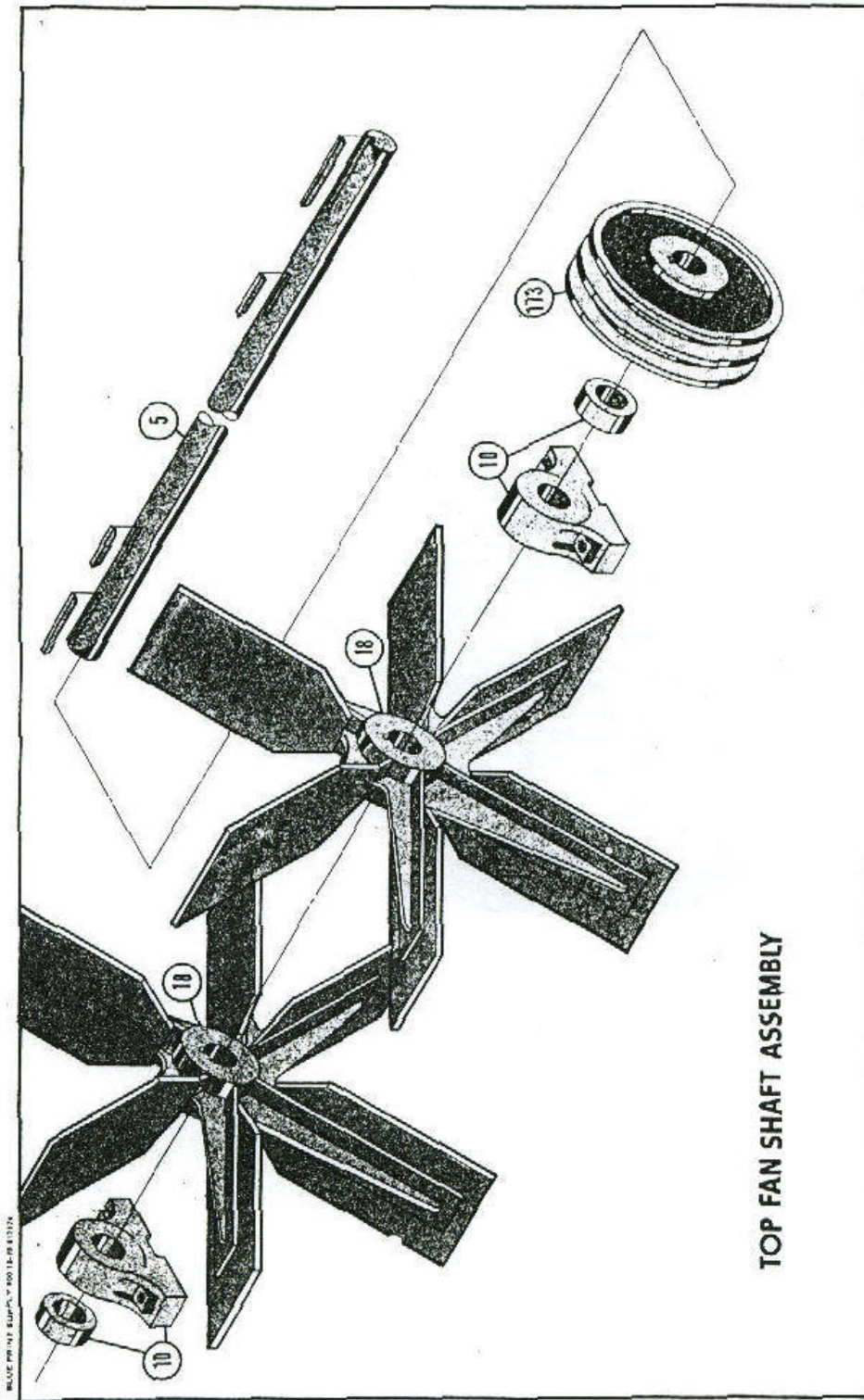


BLUE PRINT SUPPLY CO. 12-10-11-17



FRONT AIR DAMPER ASSEMBLY

SYM		REVISION	DATE	ON	DRAWN BY		SCALE	DATE
front air damper assembly								
FERRELL - ROSS					MACH. NO.			
SAGINAW, MICH.					DWG. NO.			

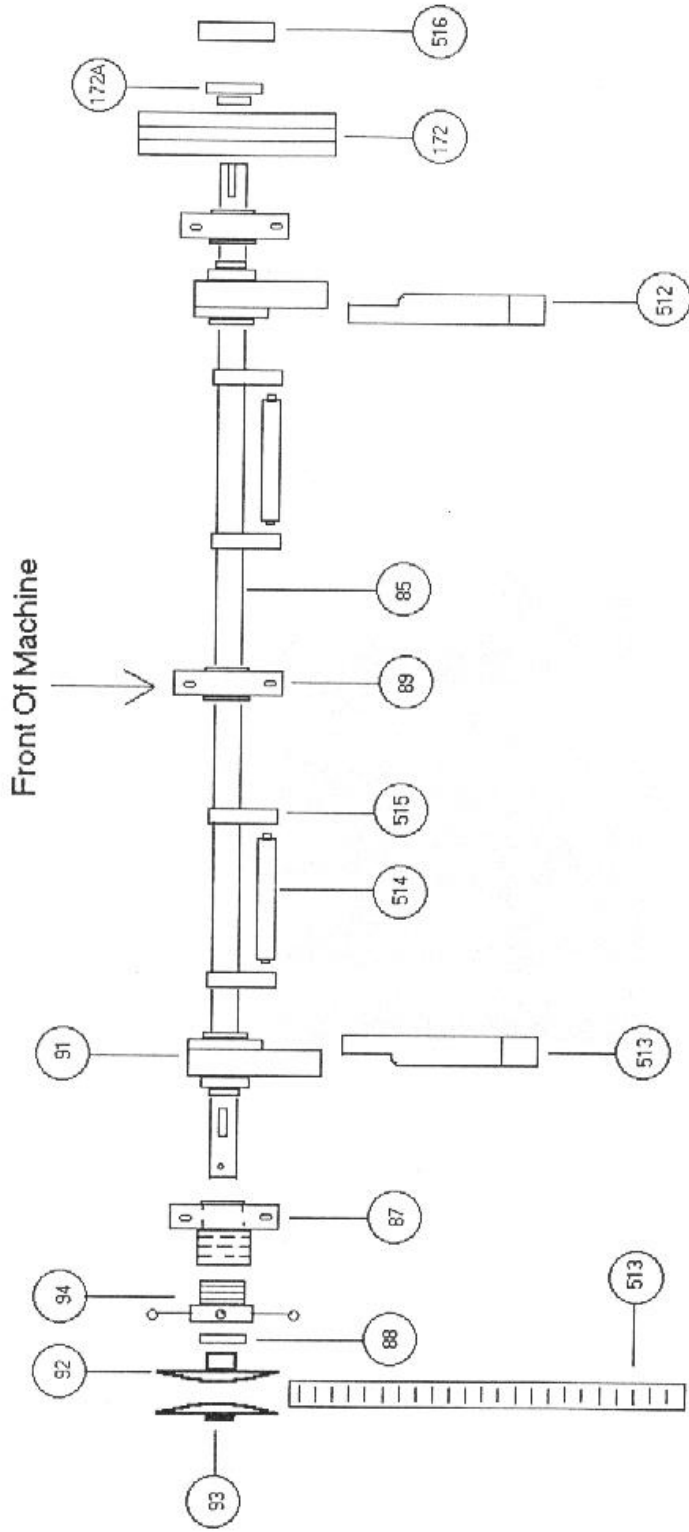


BLUET PRINT SUPPLY, 4001 B.R. # 137A

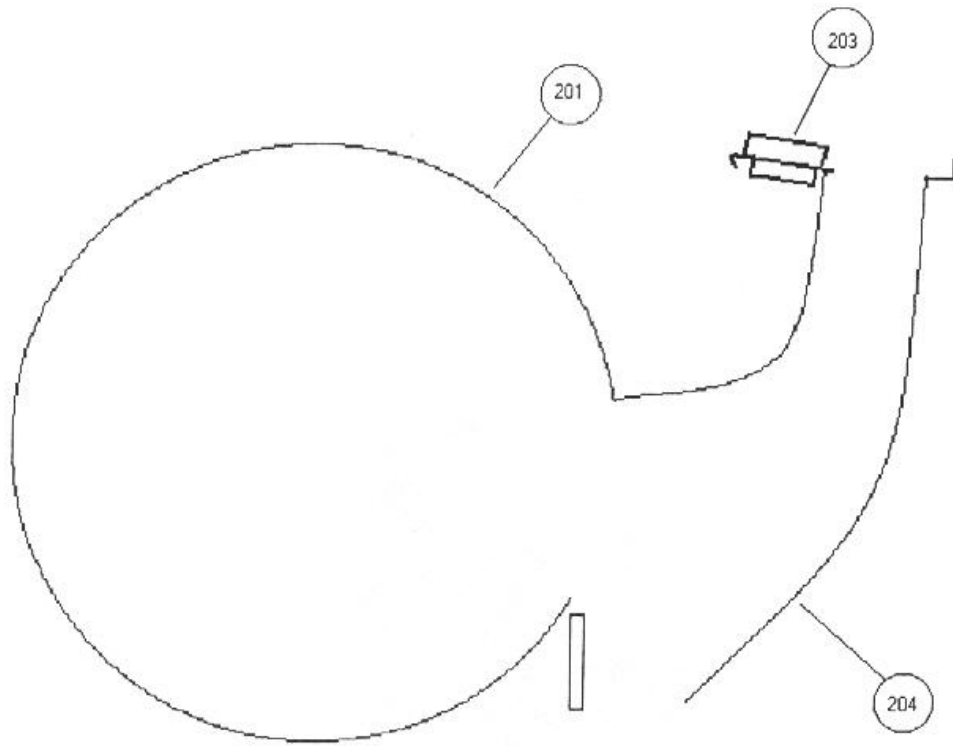
TOP FAN SHAFT ASSEMBLY

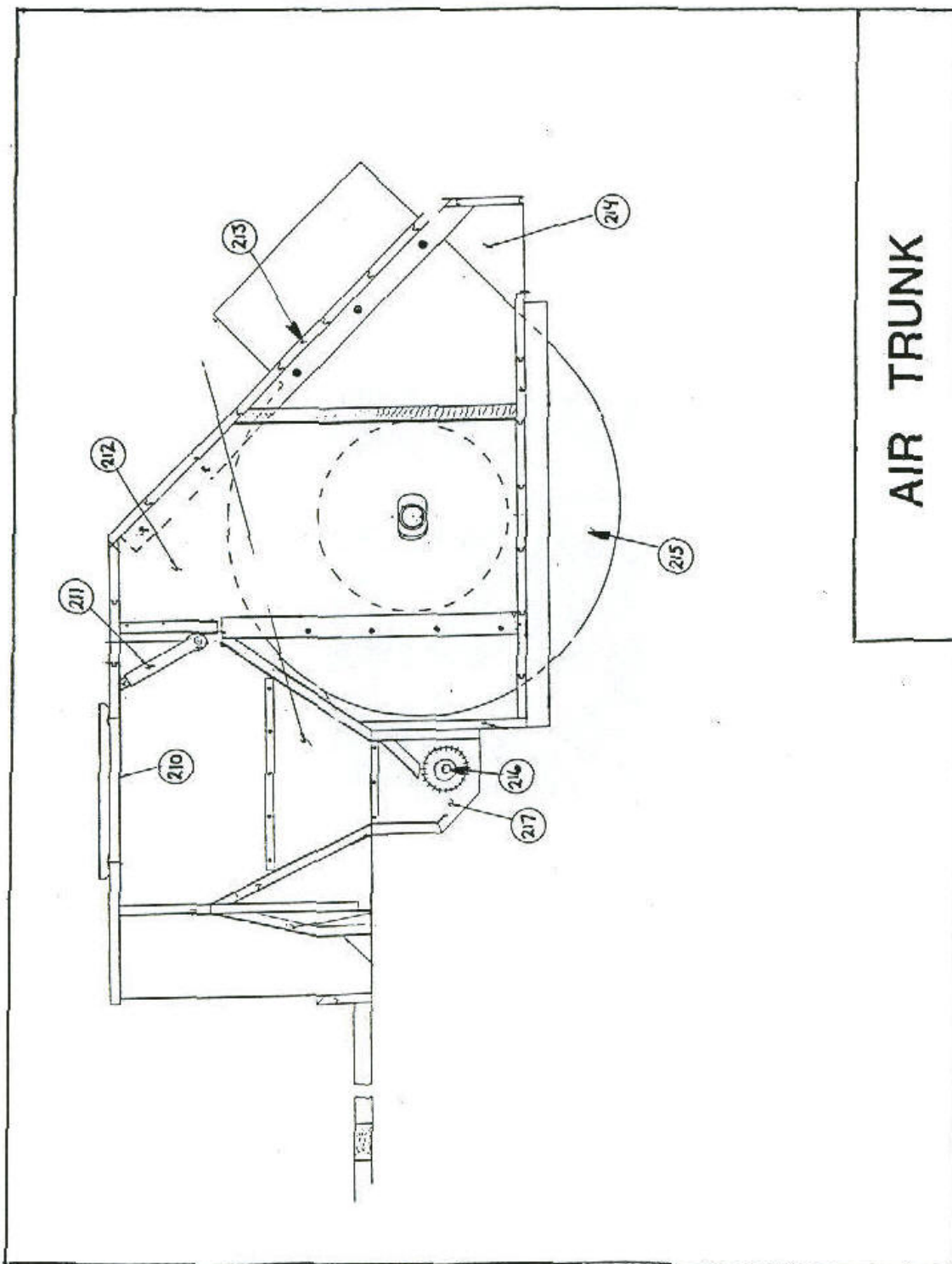
REV.	REVISION	DATE	BY	DATE	SCALE	0-28-77	DATE	DWG. NO.	FERRELL - ROSS SADDONAK, MICH.	MACH. NO.

Eccentric Shaft For 60 Series



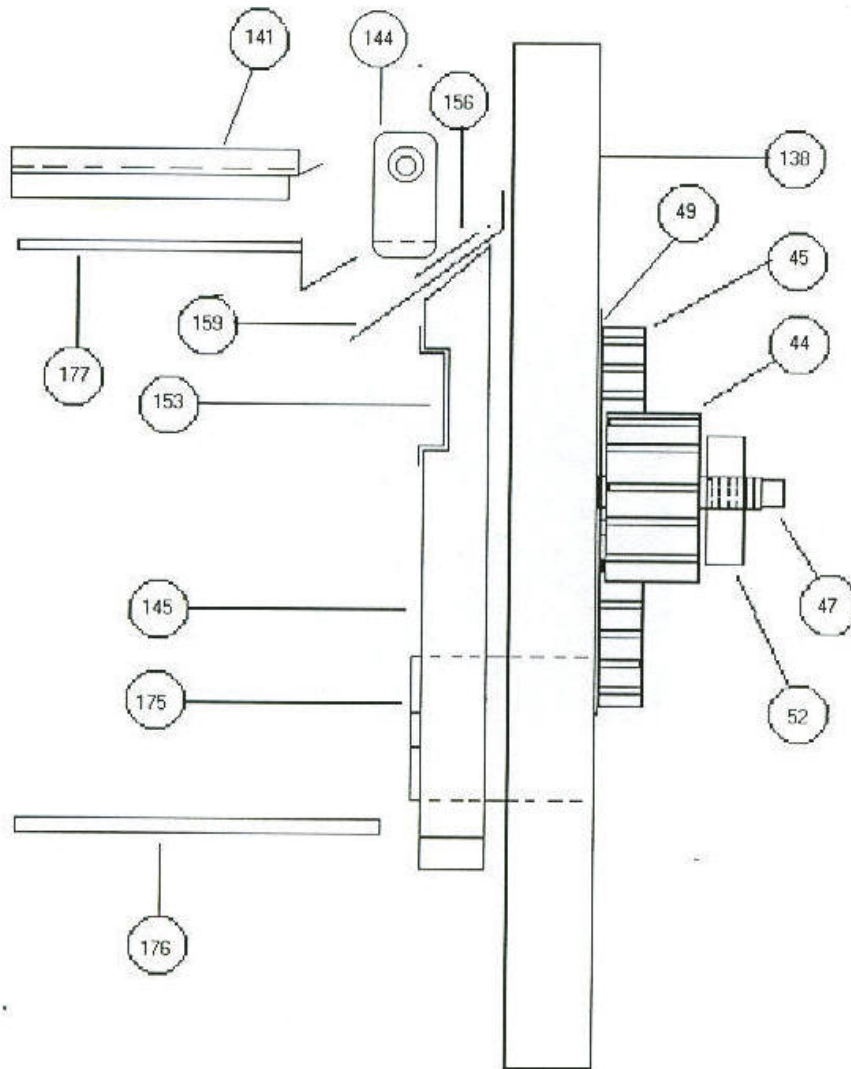
Bottom Fan Metal

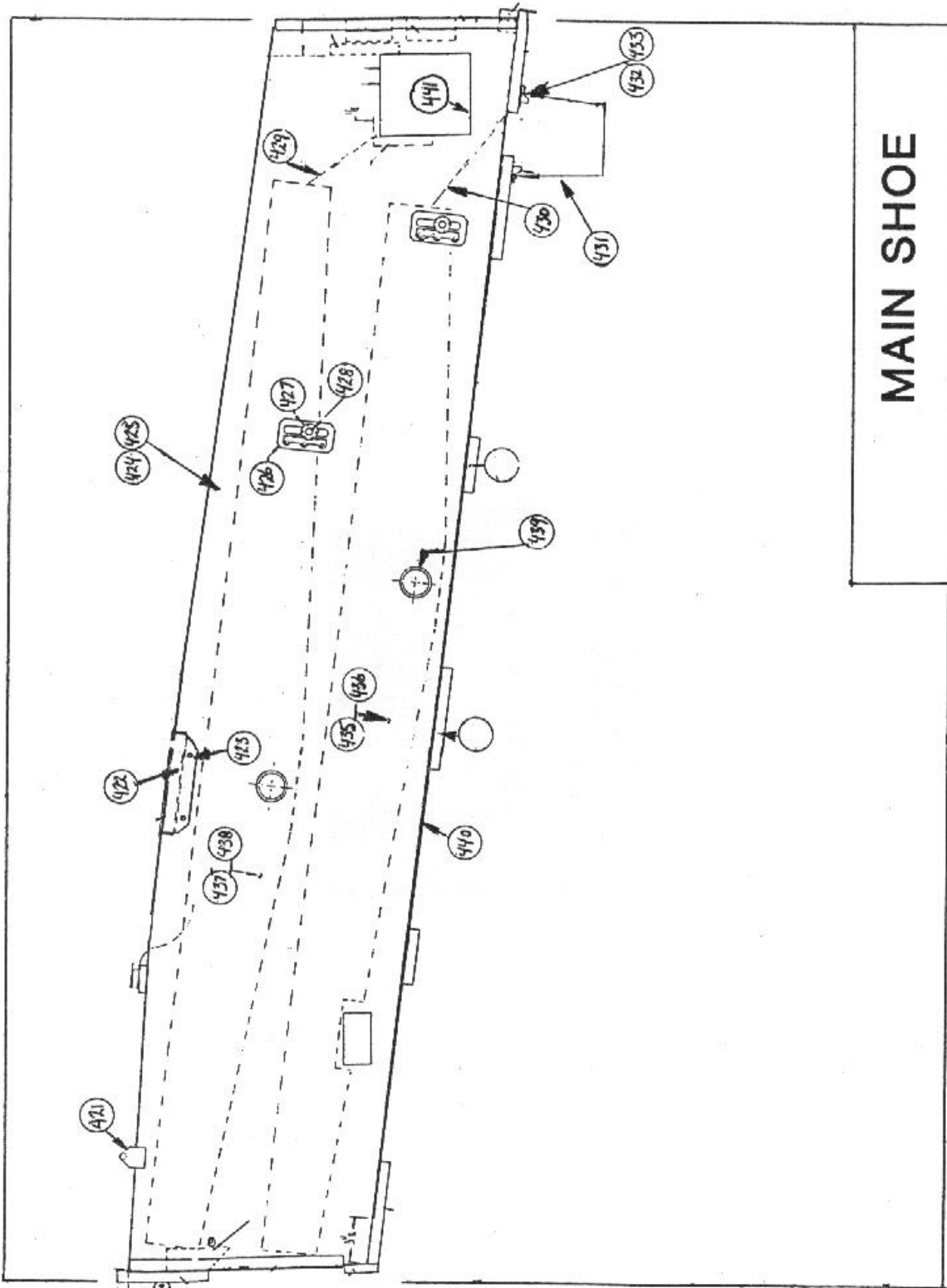




AIR TRUNK

Rocker Assembly View Brush Style





MAIN SHOE