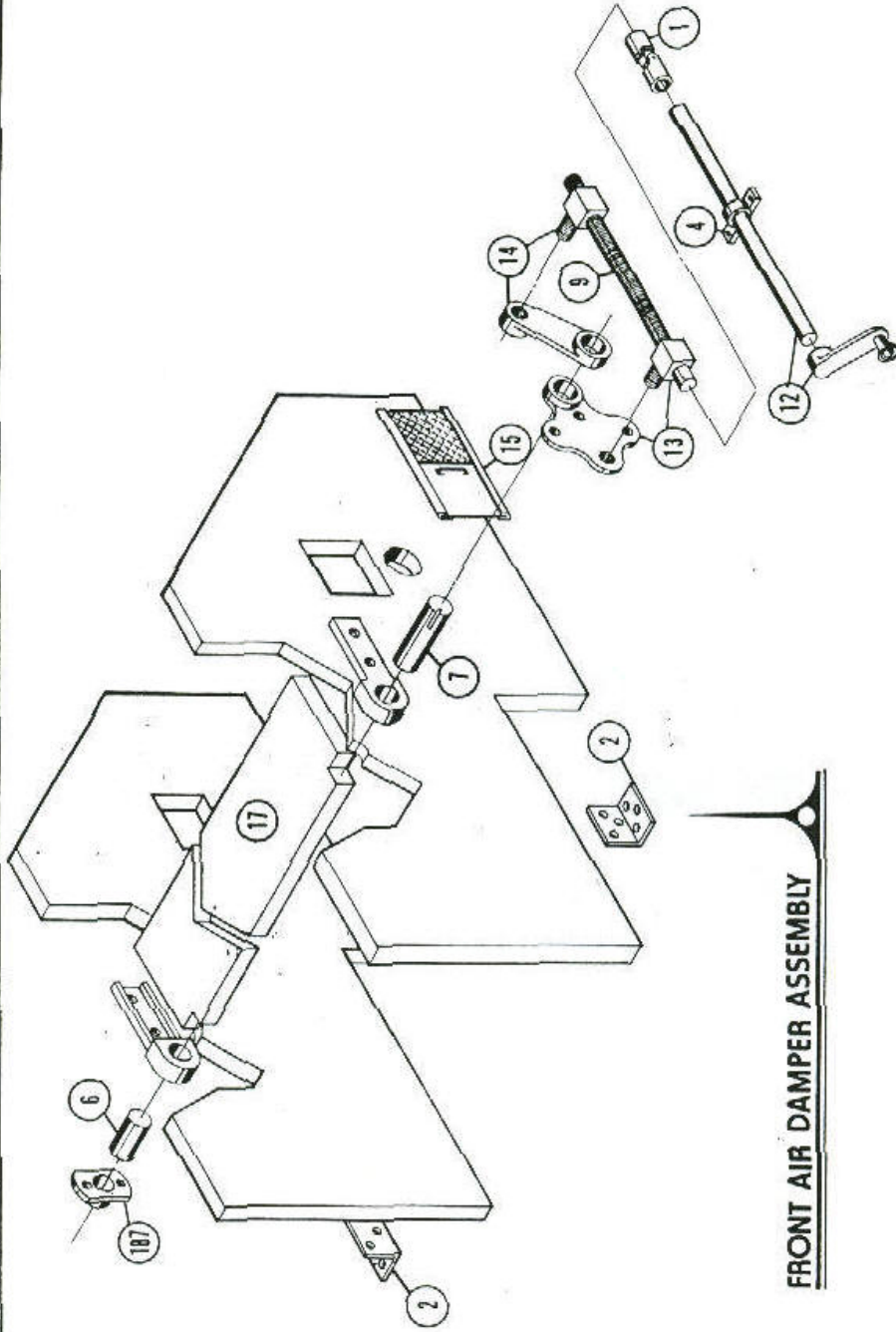


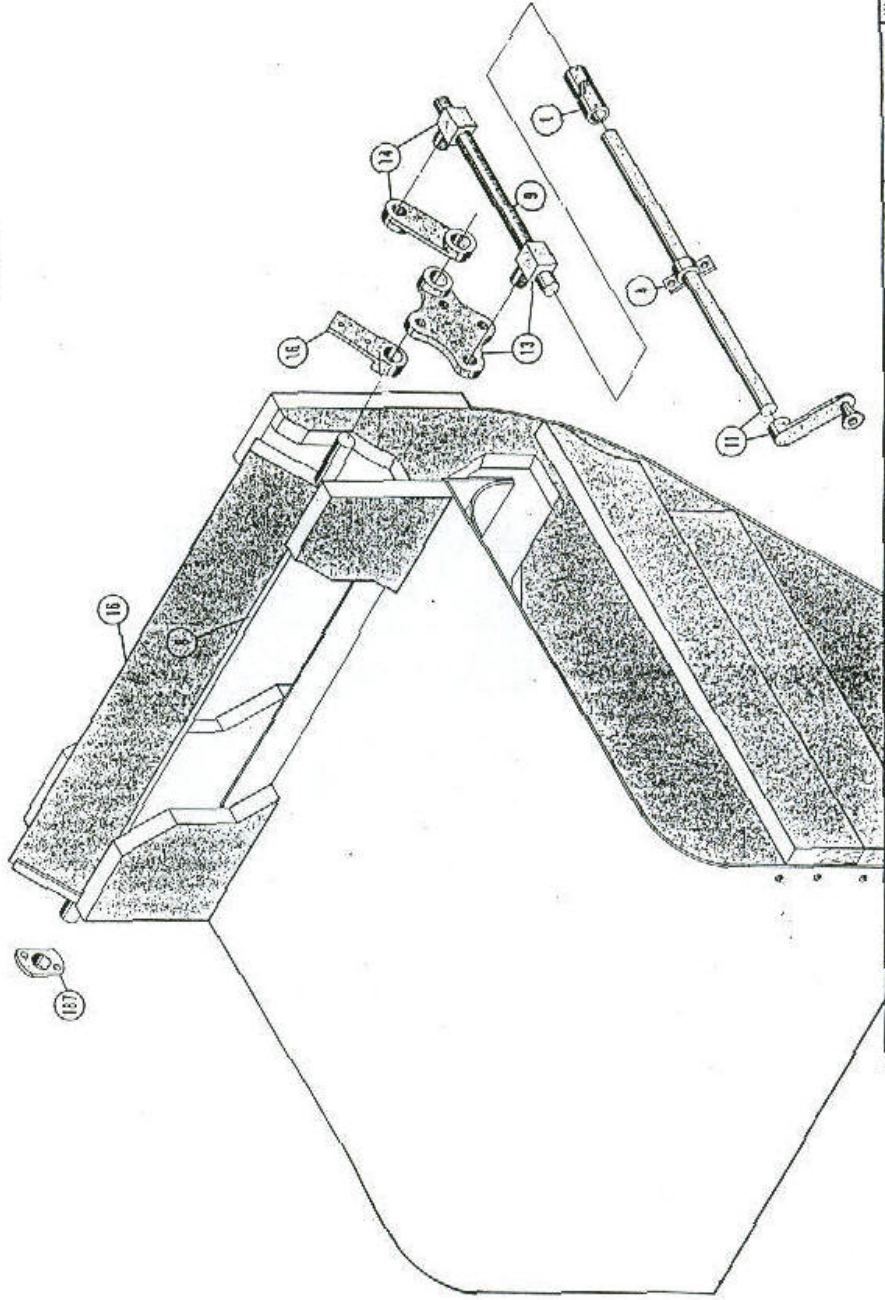
BLUE PRINT SUPPLY CO. 12-10-11-17



**FRONT AIR DAMPER ASSEMBLY**

SYM		REVISION	DATE	ON	DRAWN BY		SCALE	DATE	DWG. NO.	
									FERRELL - ROSS	
									SAGINAW, MICH.	
									MACH. NO.	
									front air damper assembly	

BACK AIR DAMPER : TOP FAN SECTION



DATE		DRAWN BY		CHECKED BY		APPROVED BY	
FERRILL - ROSS ENGINEERS & ARCHT. BWC NO.				back air damper			
MACH. NO.				DWG. NO.			













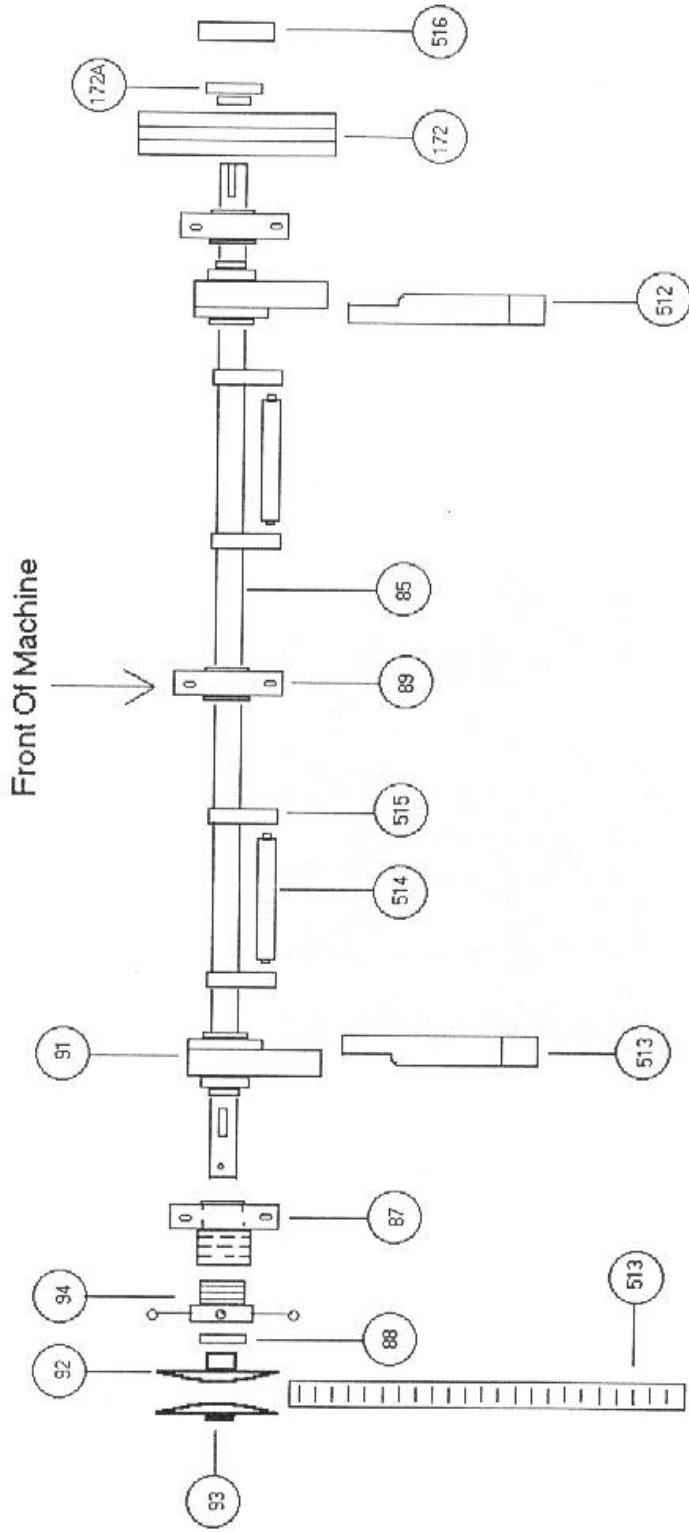








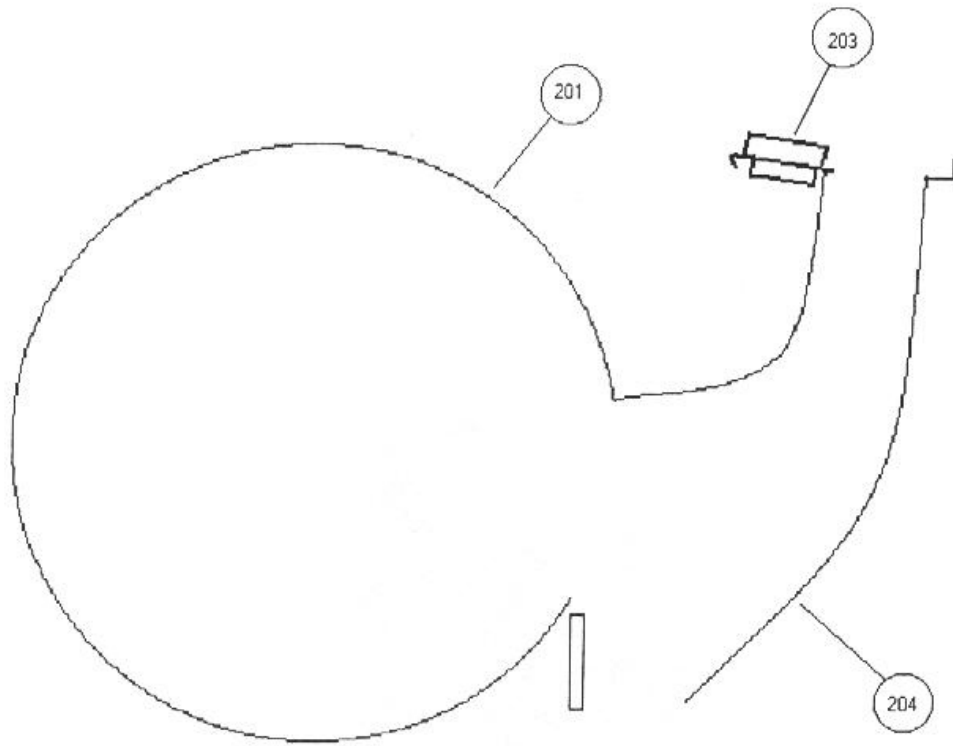
# Eccentric Shaft For 60 Series

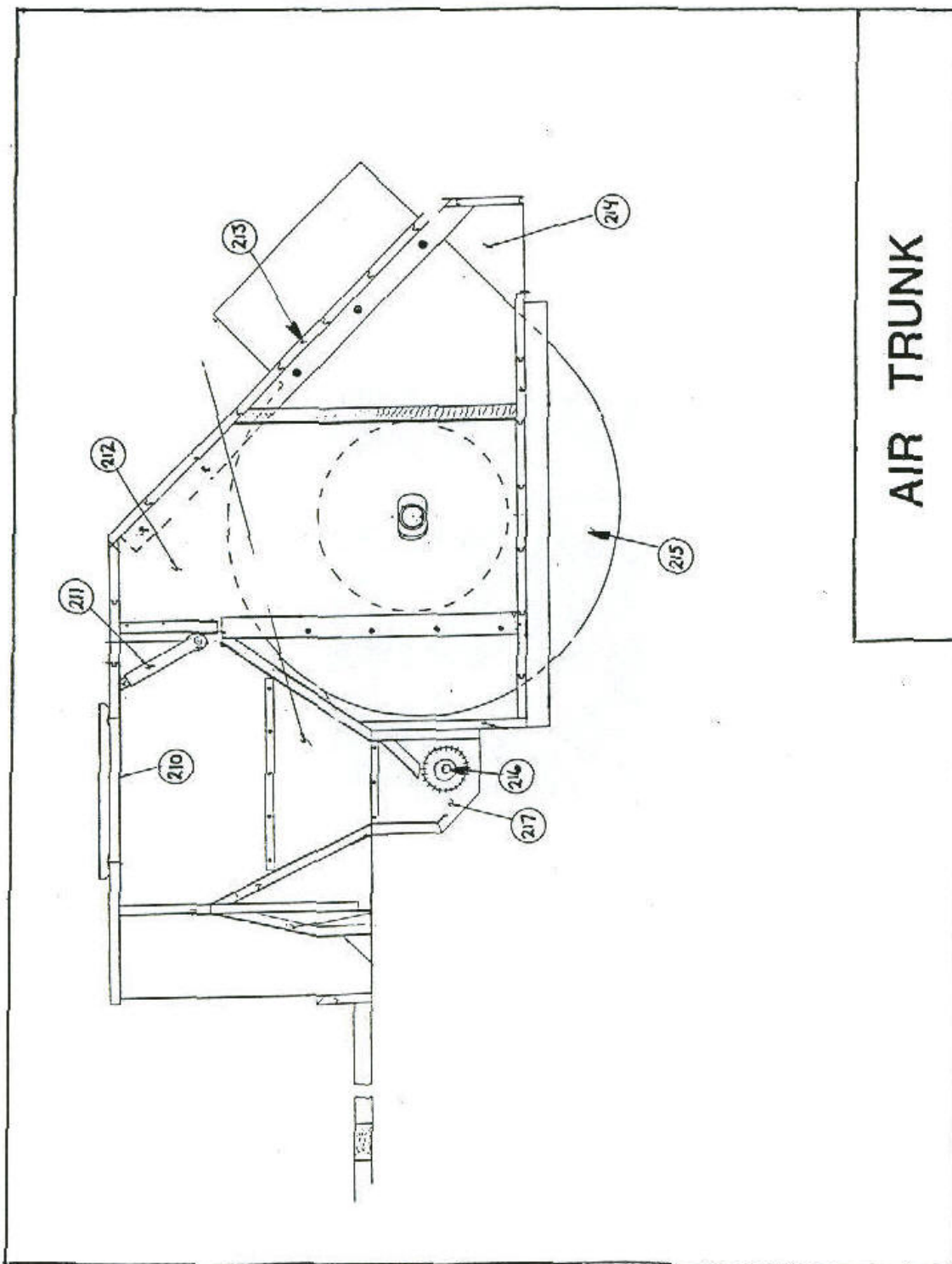






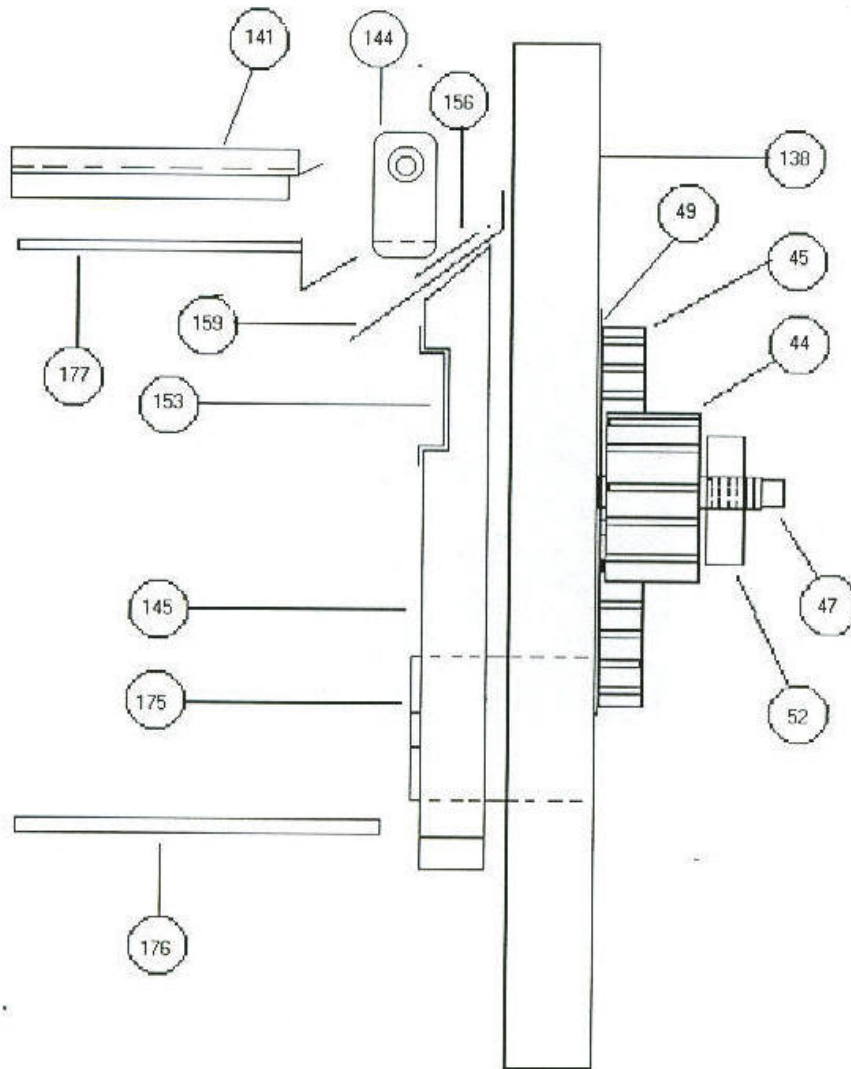
# Bottom Fan Metal



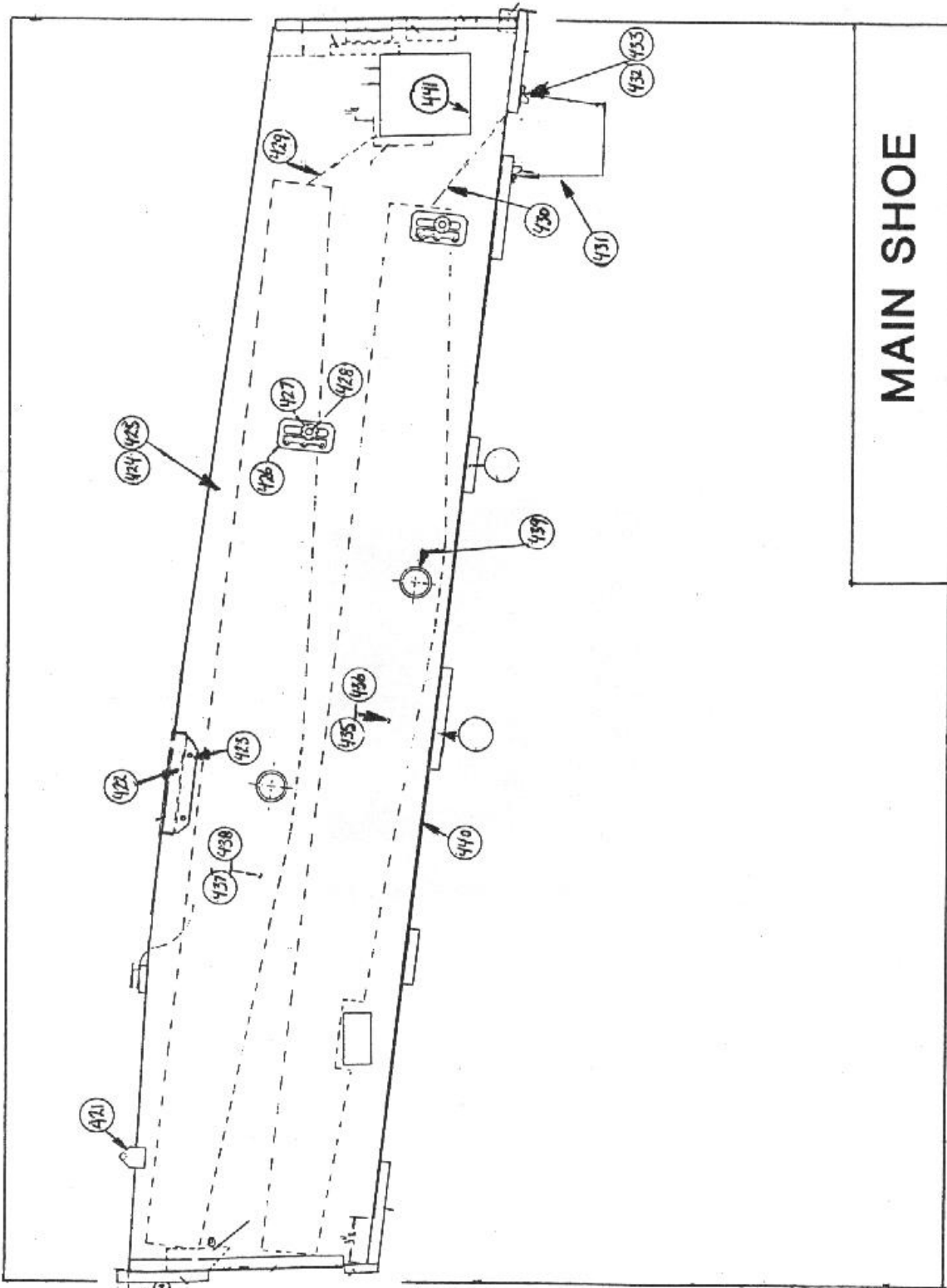


AIR TRUNK

# Rocker Assembly View Brush Style







MAIN SHOE