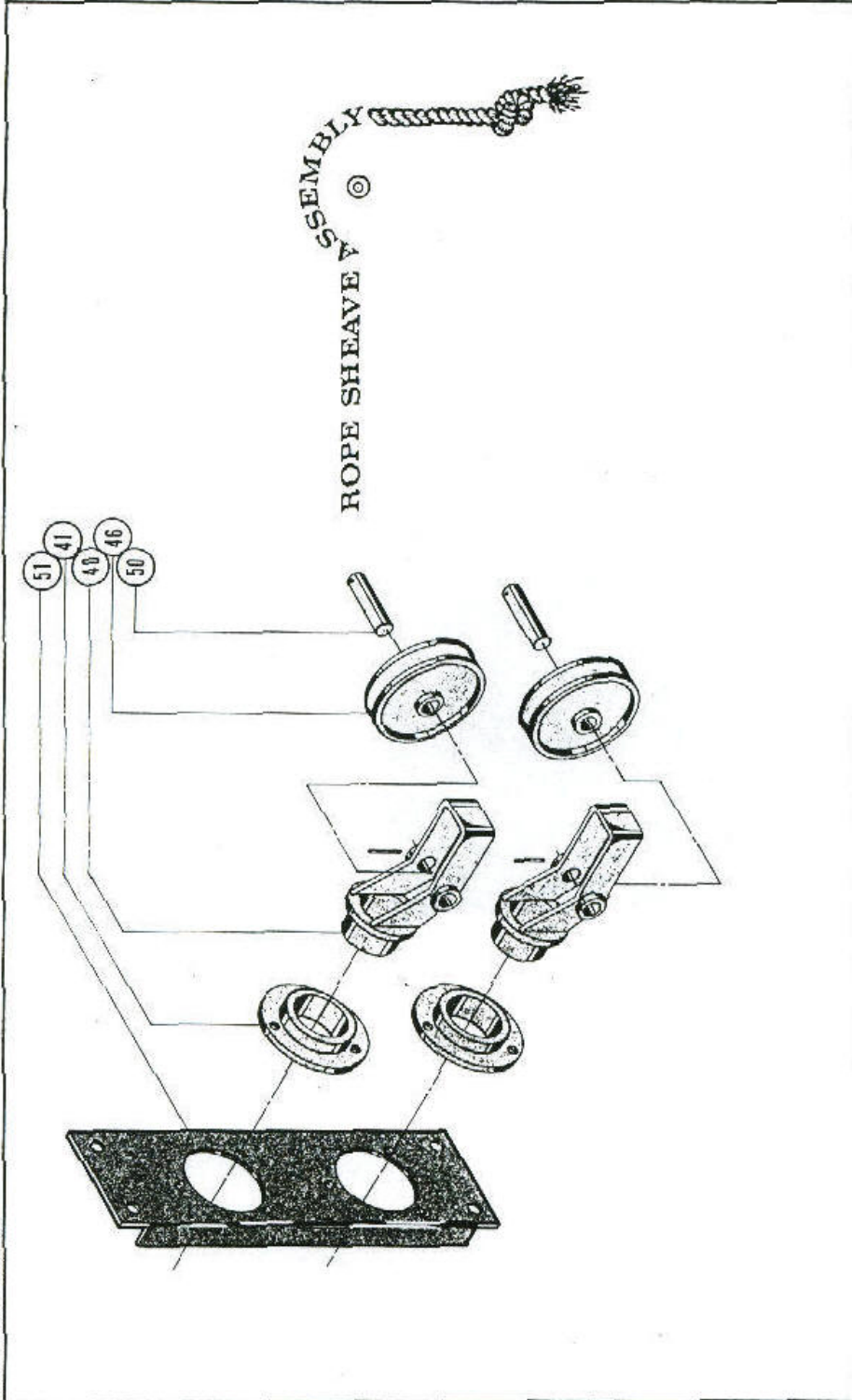


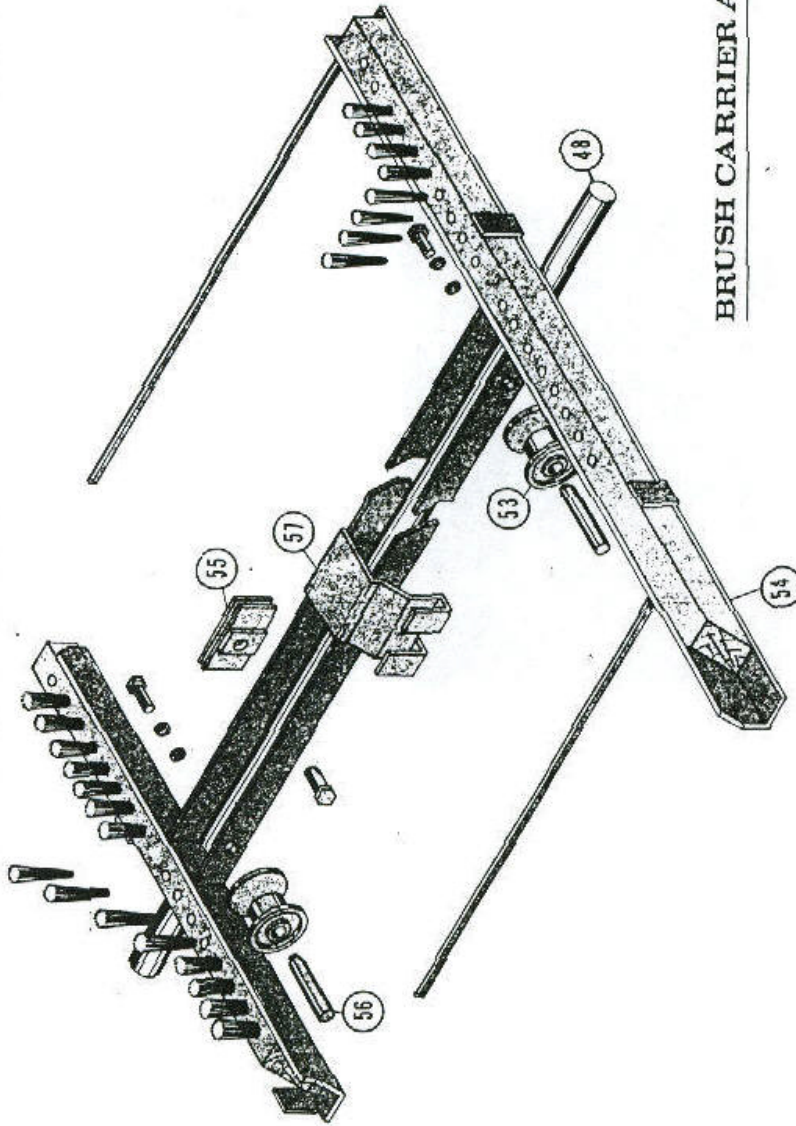
BRUSH ADJUSTING SYSTEM

DATE		DATE		DATE		DATE	
M. L. VAN DYKE		M. L. VAN DYKE		M. L. VAN DYKE		M. L. VAN DYKE	
SCALE		SCALE		SCALE		SCALE	
DWG. NO.		DWG. NO.		DWG. NO.		DWG. NO.	
FERRILL - ROSS		FERRILL - ROSS		FERRILL - ROSS		FERRILL - ROSS	
BAGINAW, MICH.		BAGINAW, MICH.		BAGINAW, MICH.		BAGINAW, MICH.	
MACH. NO.		MACH. NO.		MACH. NO.		MACH. NO.	

BLUE PRINT & MACHINING SHOP



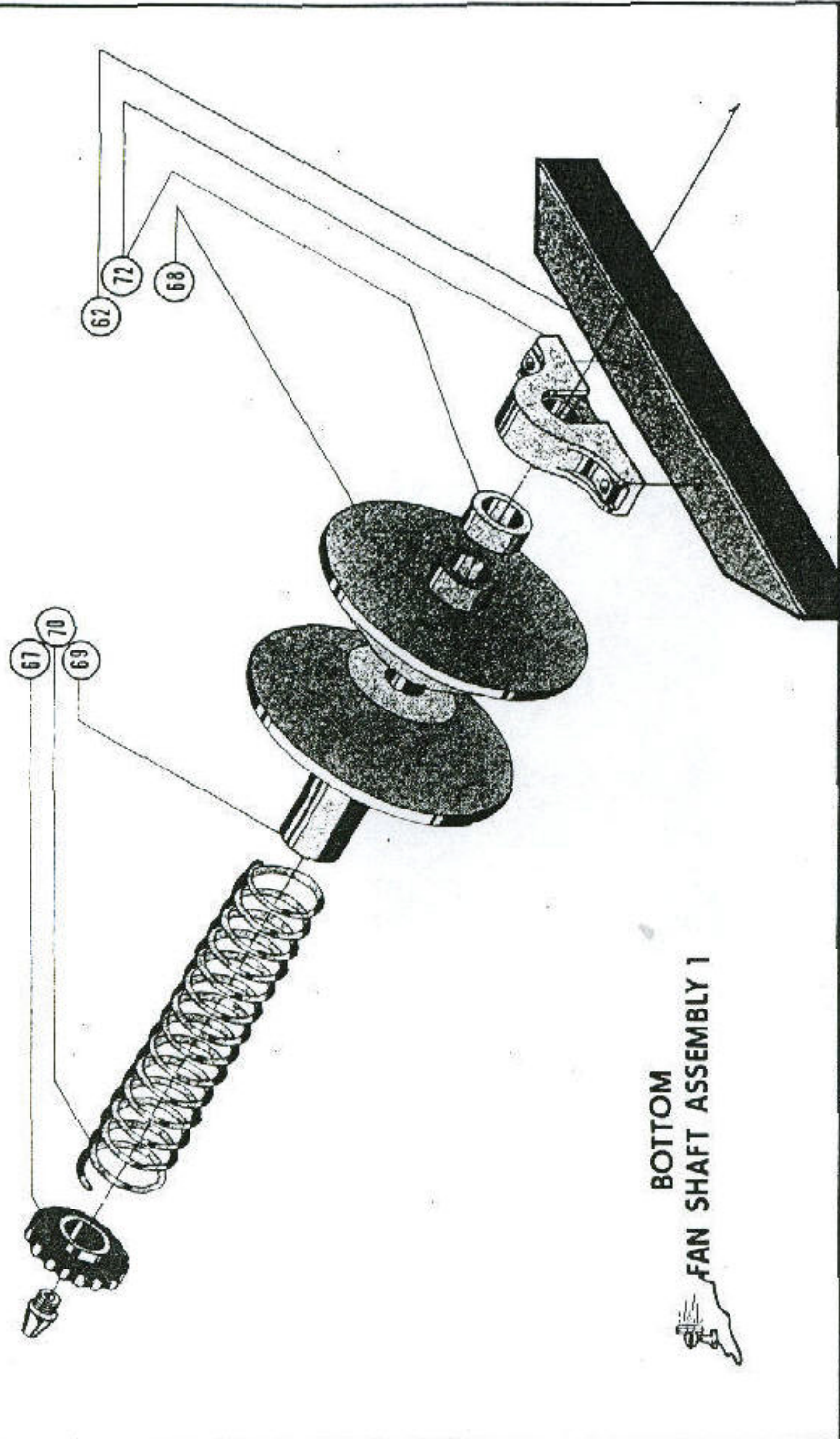
REV.	REVISION	DATE	BY	SCALE	DWG. NO.	MACH. NO.



BRUSH CARRIER ASSEMBLY

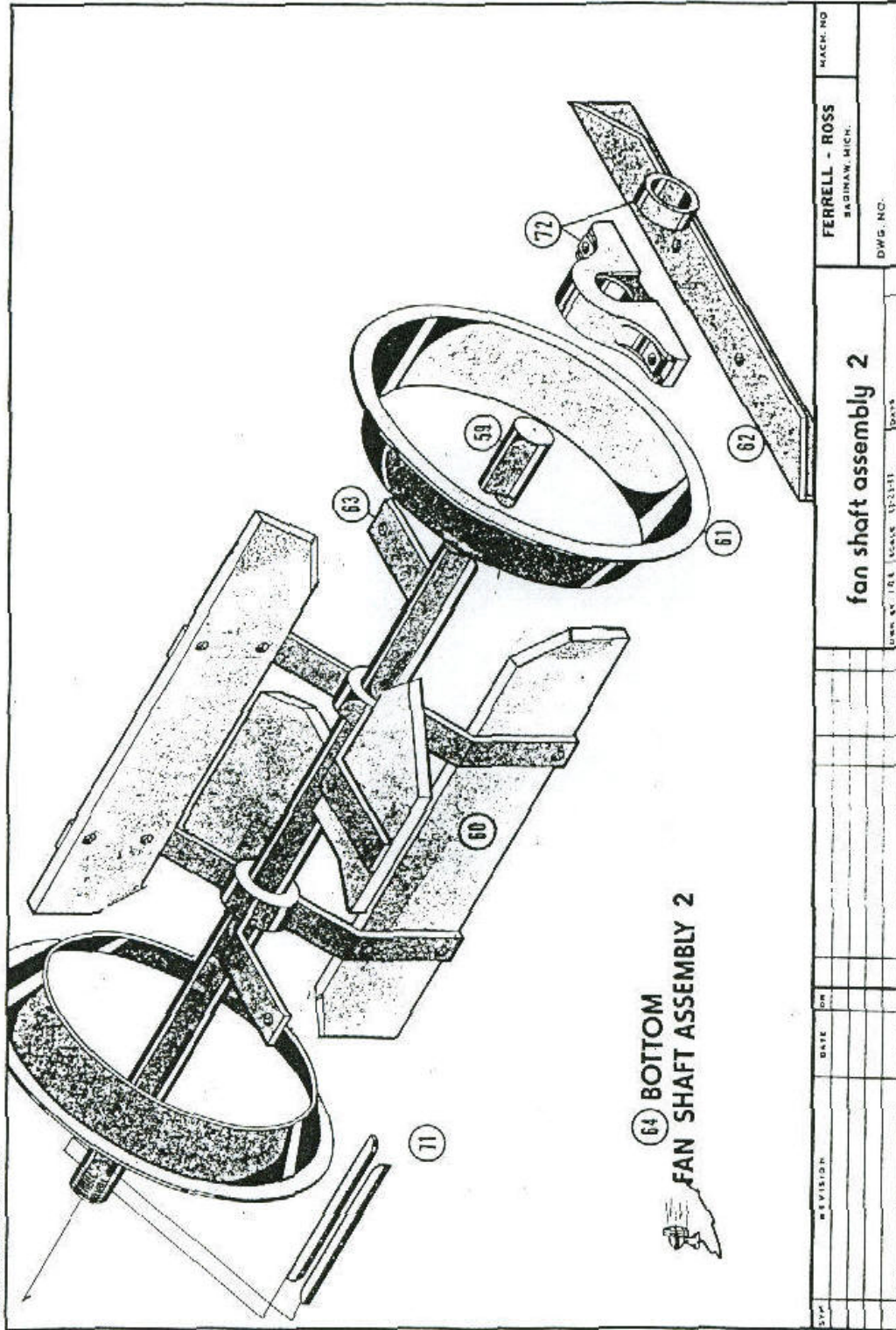
DATE	REV.	DWG. NO.		MACH. NO.	
		brush carrier assembly		FERRELL - ROSS	
		DATE 12-18-77		SAGINAW, MICH.	
		SCALE		DWG. NO.	

11-30-77



**BOTTOM
FAN SHAFT ASSEMBLY 1**

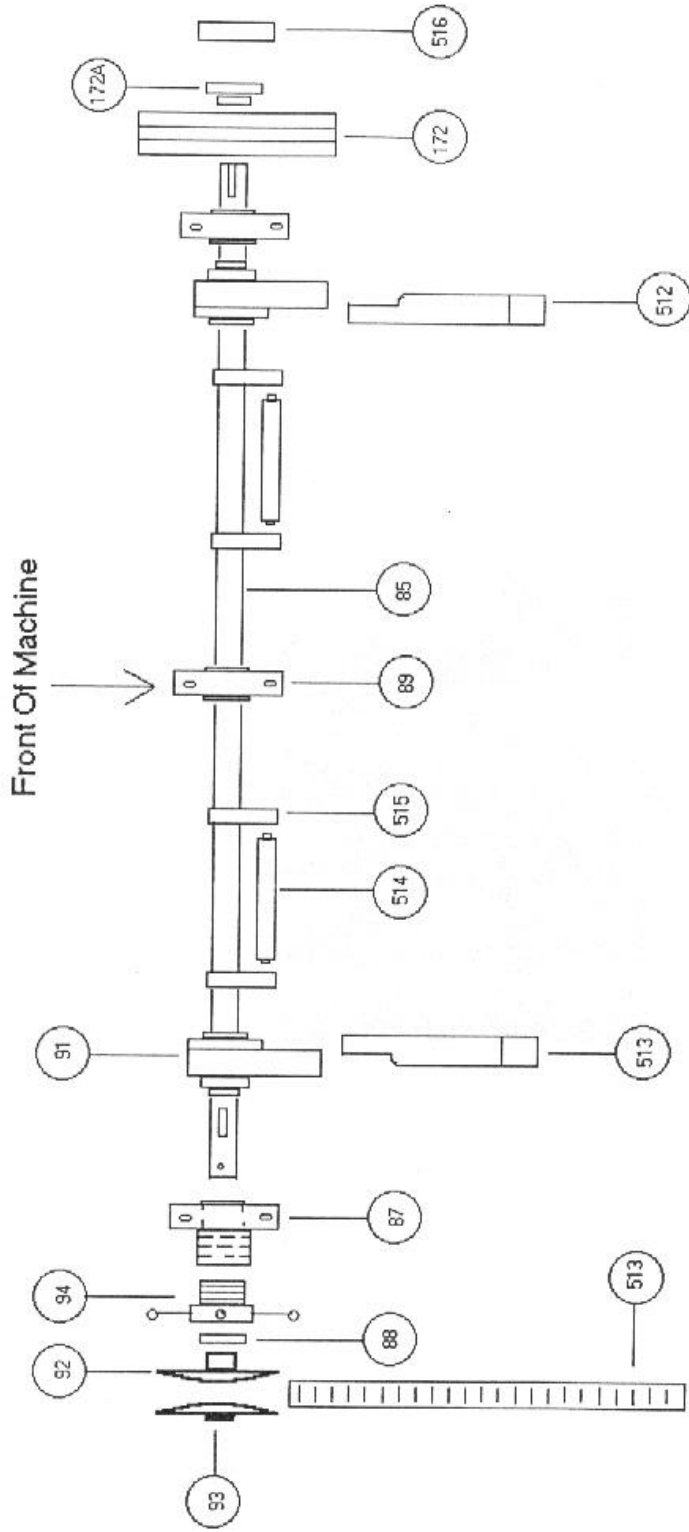
SYMBOL	DATE	BY	DATE	BY	DATE	BY	DATE	BY	DATE	BY	DATE	BY	DATE	BY	DATE	BY
FERRELL - ROSS SAGINAW, MICH.												MACH. NO.				
fan shaft assembly 1												DWG. NO.				
DWG. NO. J. J. I. SCALE												DATE 11-30-77				

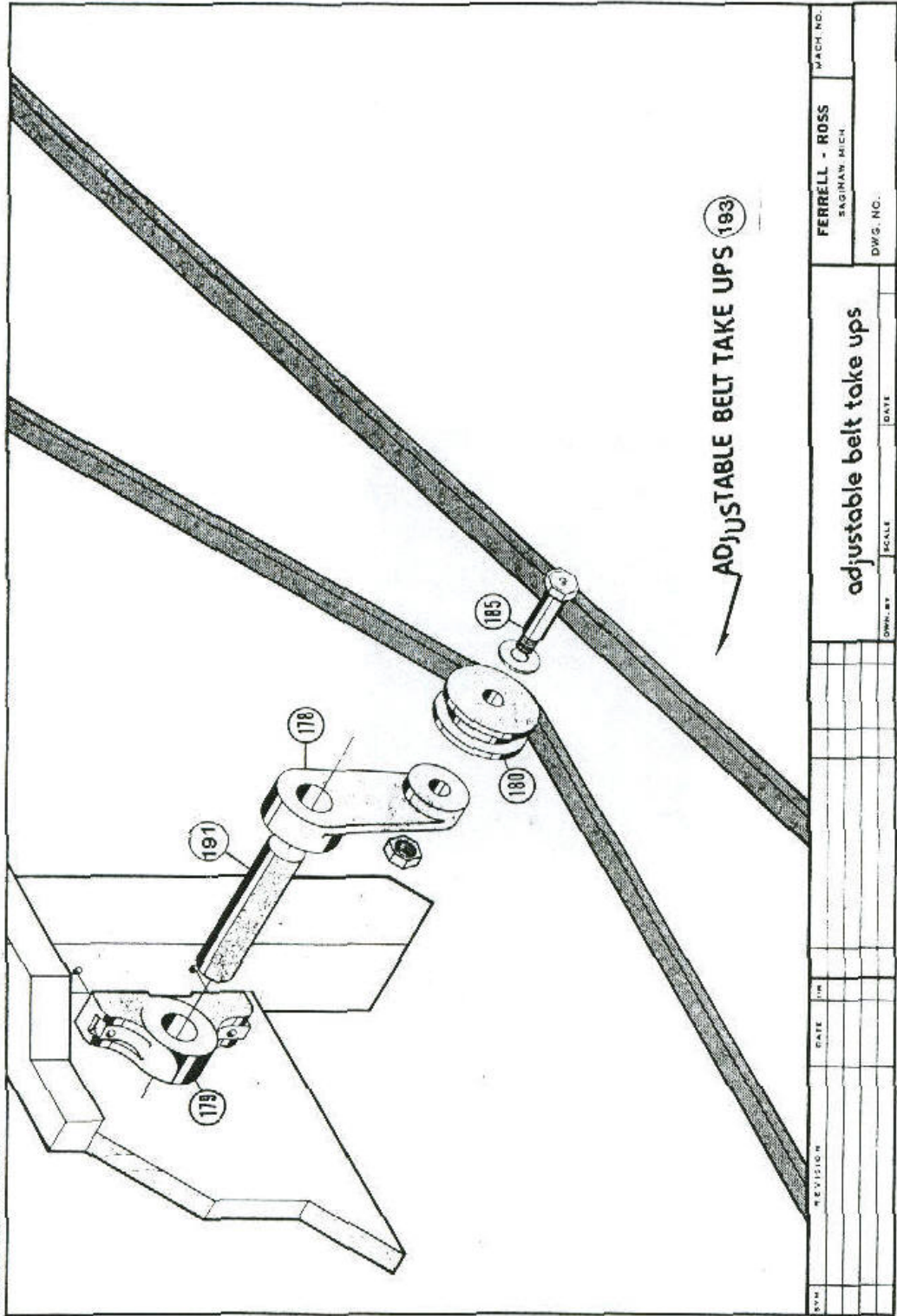


64 BOTTOM
FAN SHAFT ASSEMBLY 2

SYN		REVISION	DATE	BY	DWG. NO. 1001 100000 100000	DWG. NO.	FERRILL - ROSS SABINAW, MICH.	MACH. NO.
fan shaft assembly 2								

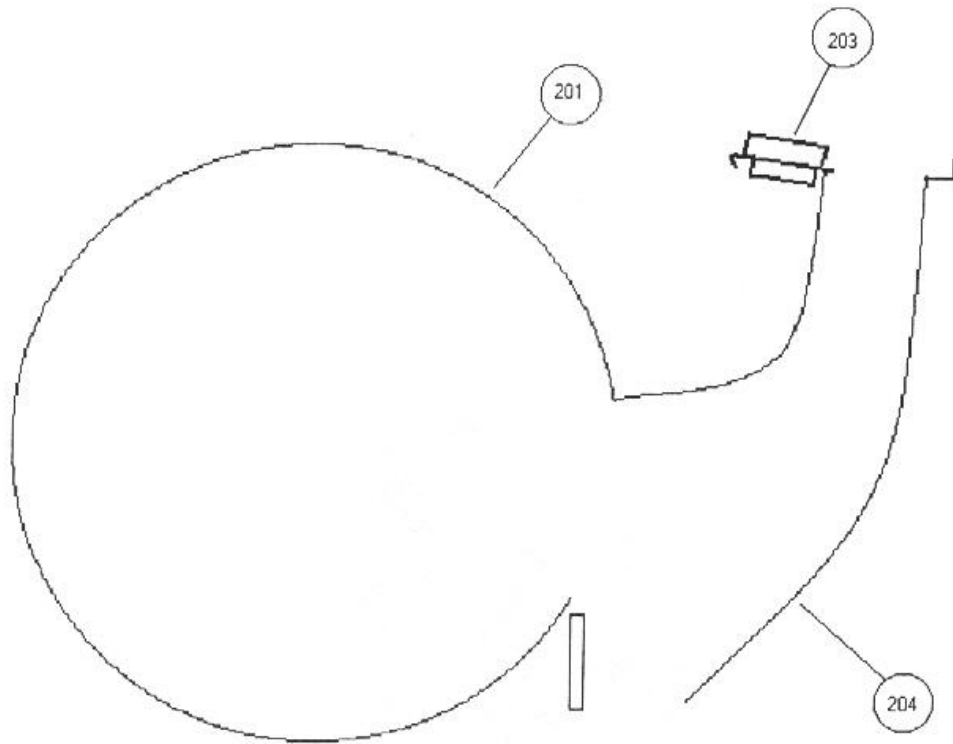
Eccentric Shaft For 60 Series





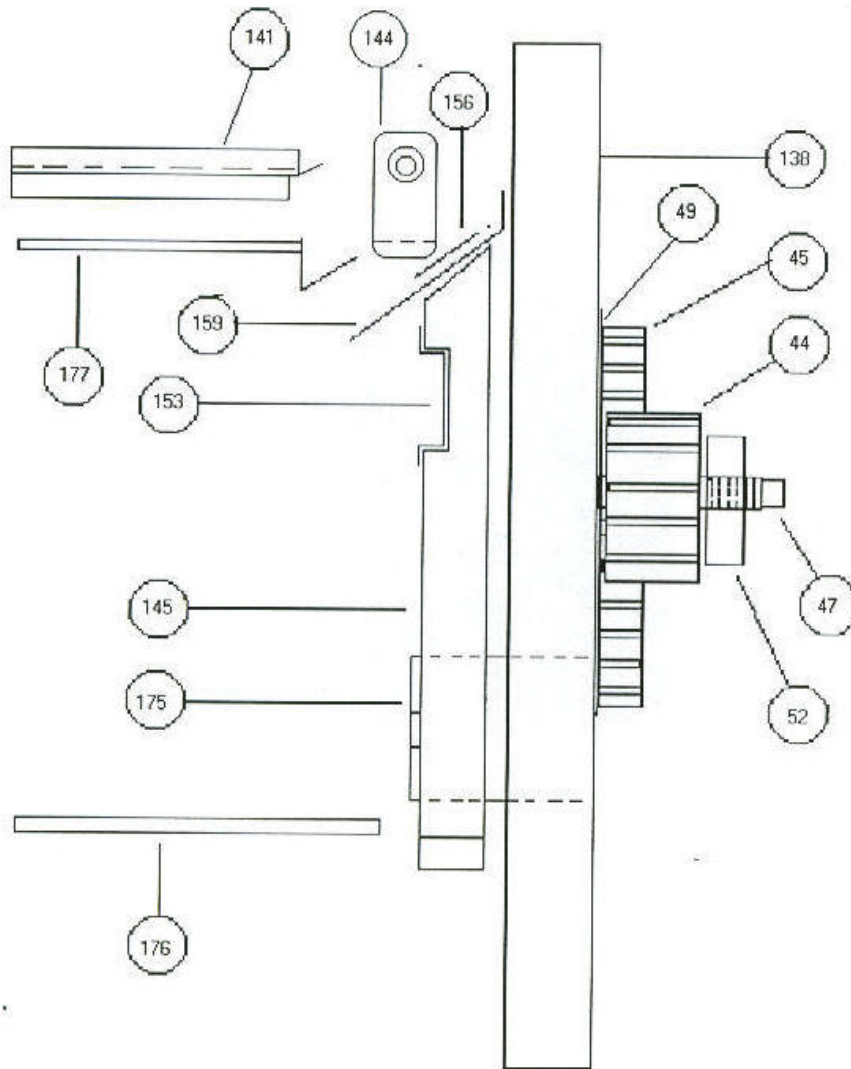
MACH. NO.		OWNER	
FERRELL - ROSS SAGINAW, MICH.		DATE	
DWS, INC.		SCALE	
adjustable belt take ups		DATE	
REV.	REVISION	DATE	BY

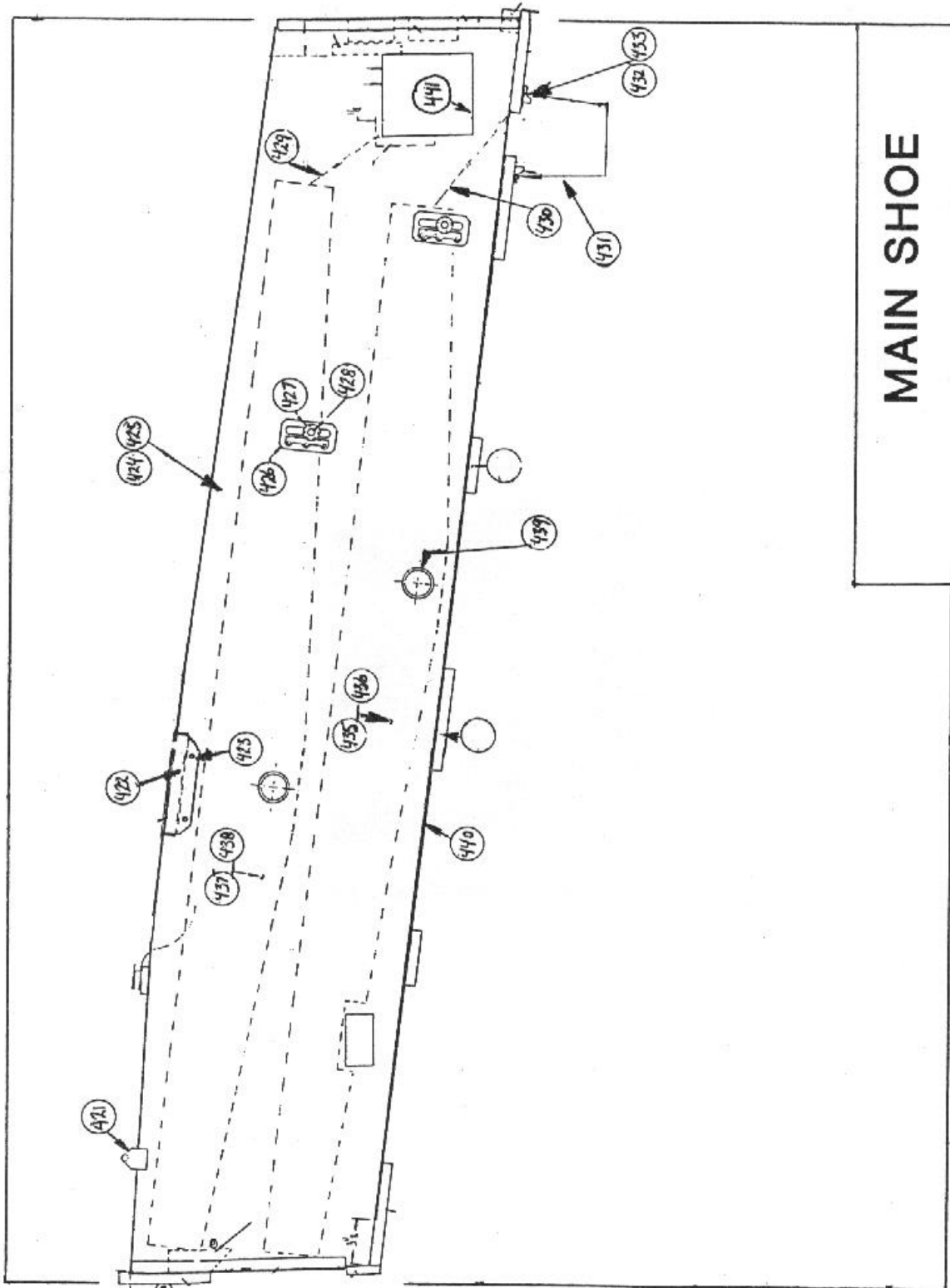
Bottom Fan Metal



Rocker Assembly View

Brush Style





MAIN SHOE