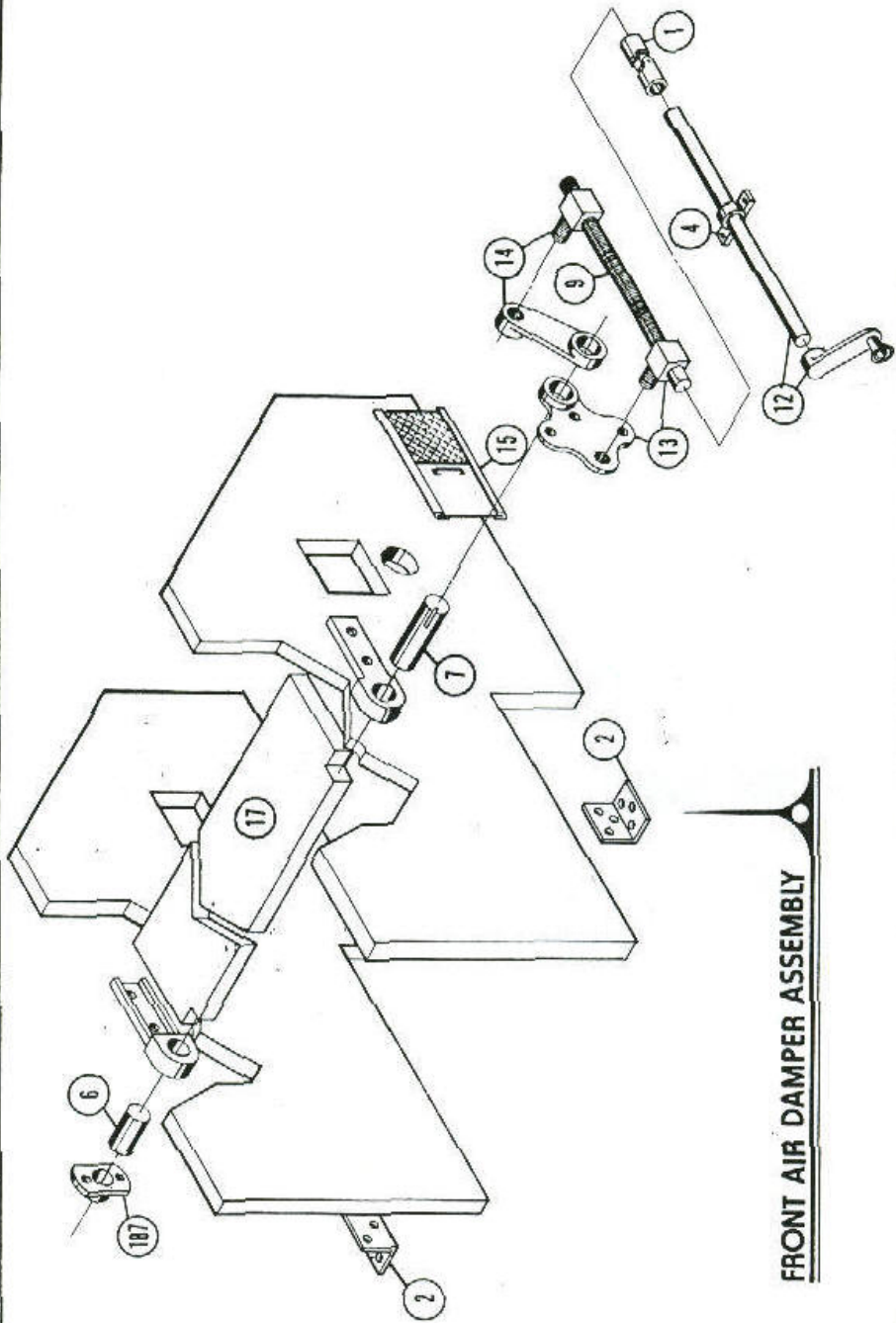


BLUE PRINT SUPPLY CO. 12-10-11-17



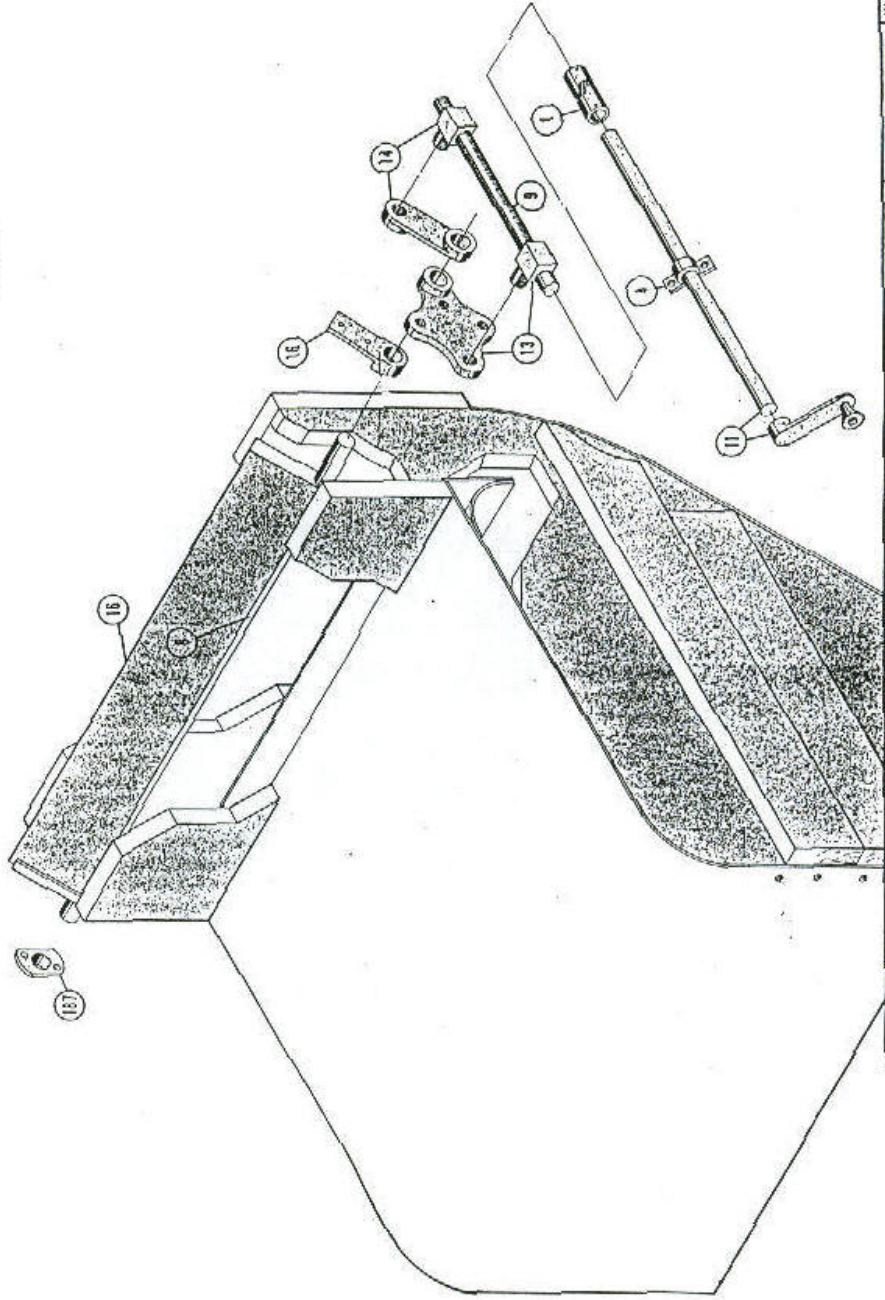
FRONT AIR DAMPER ASSEMBLY

REV.	REVISION	DATE	BY	SCALE	DATE	DATE	DATE	DATE	DATE

FERRELL - ROSS
SAGINAW, MICH.
DWG. NO. _____
MACH. NO. _____

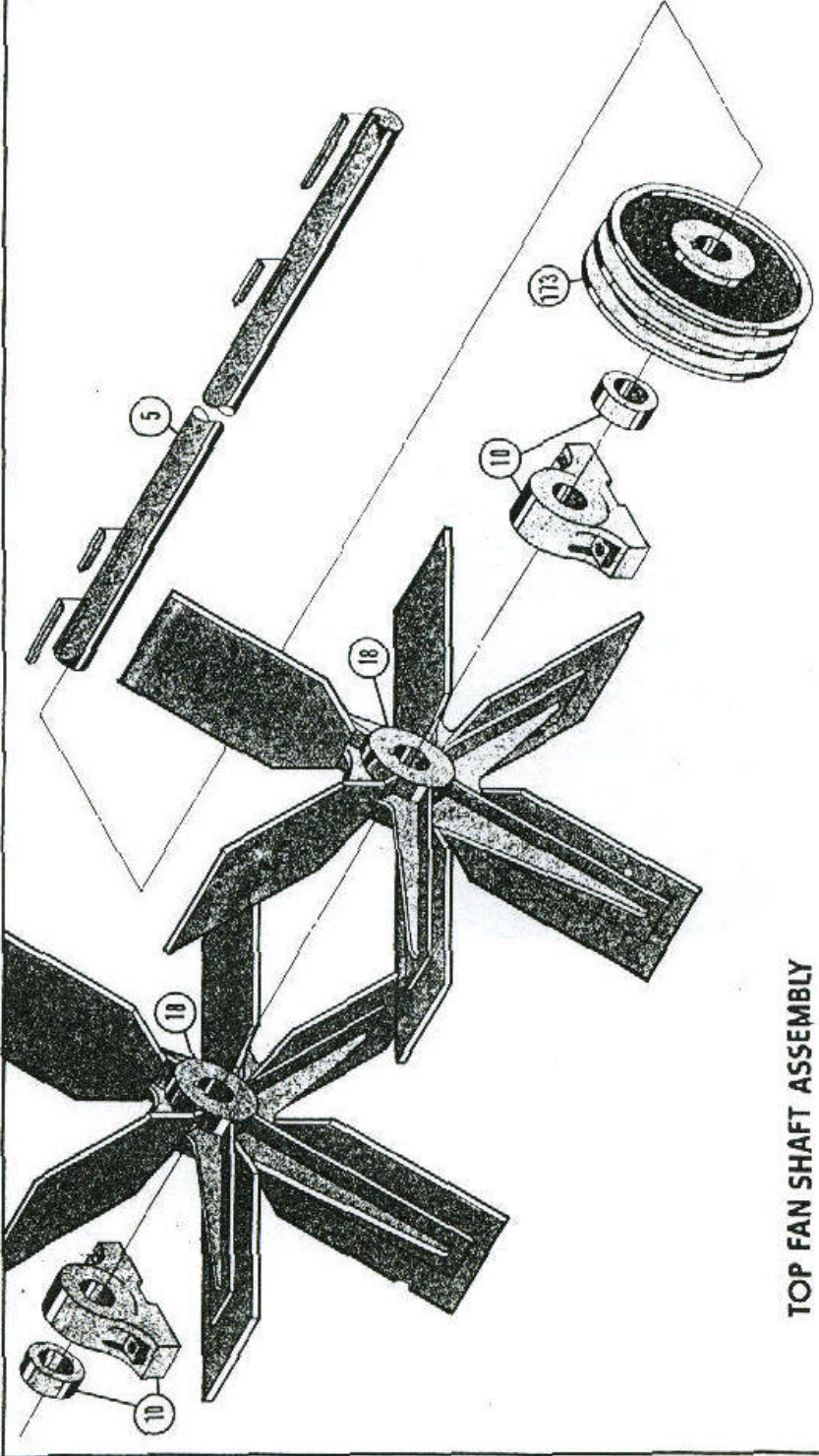
front air damper assembly

BACK AIR DAMPER : TOP FAN SECTION



DATE		DRAWN BY		CHECKED BY		APPROVED BY	
PART NO.				REV.			
FERRILL - ROSS				MACH. NO.			
BOSTON, MASS.							
DWC NO.							
back air damper							

BLUET PRINT SUPPLY, 4001 E. W. 312A



TOP FAN SHAFT ASSEMBLY

REVISION			DATE	BY	DATE	BY	DATE	BY	DATE	BY

top fan shaft assembly

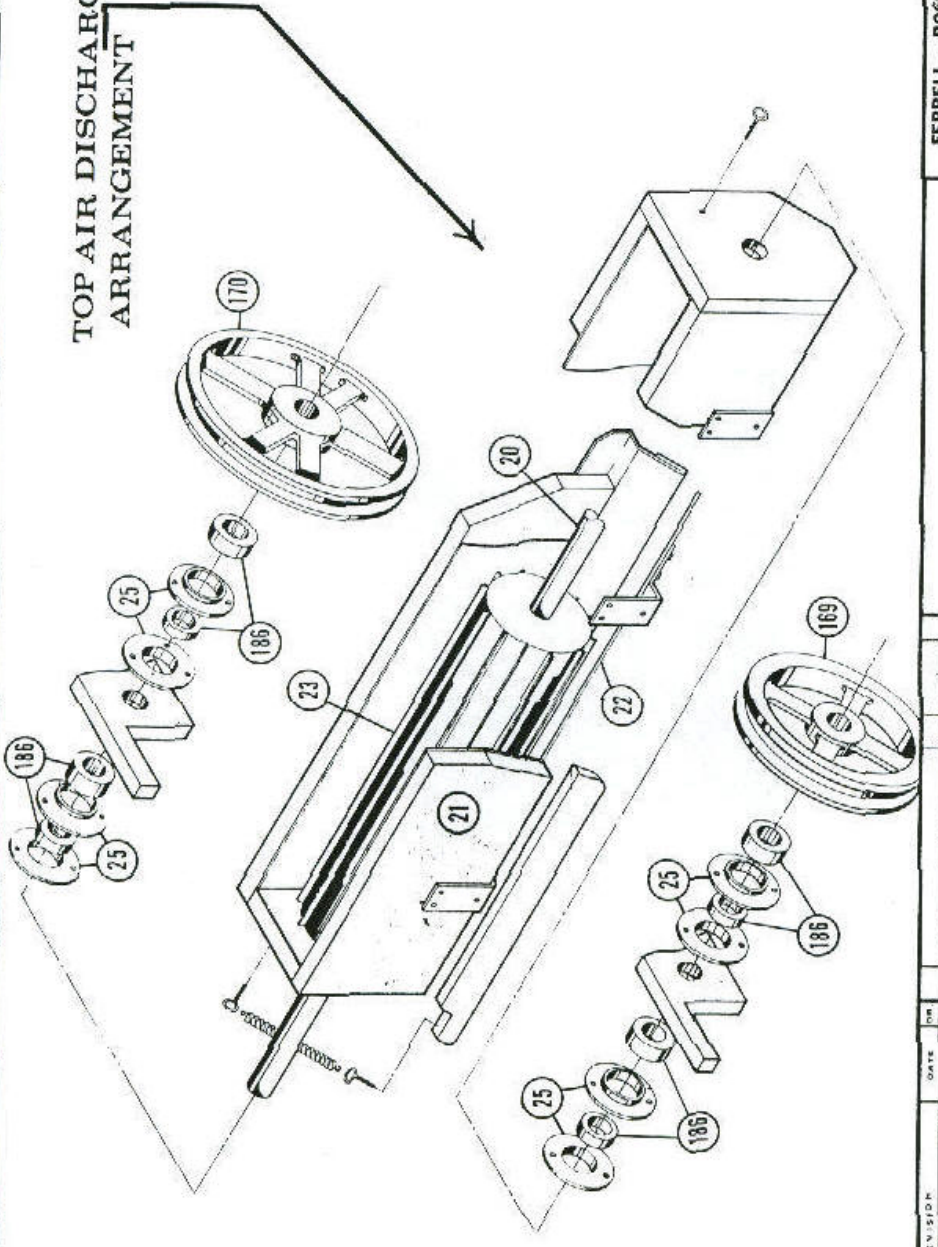
DUNNBY, J.S. | SCALE: 1:1 | DATE: 02-28-77

FERRELL - ROSS
SADDLERY, WICHITA, MO.

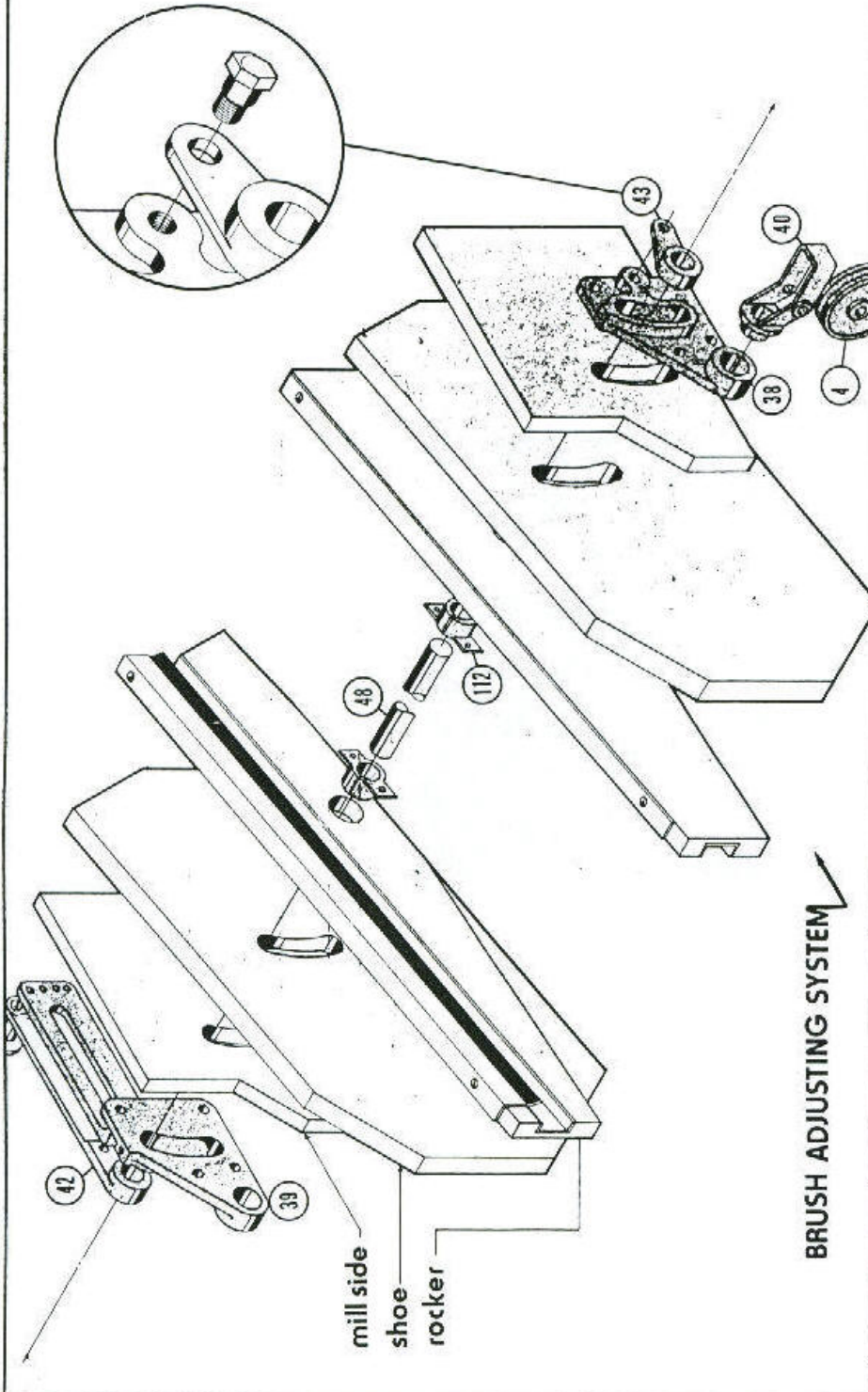
DWG. NO.

BLUET PRINT SUPPLY CO. INC. N.Y.C.

TOP AIR DISCHARGE ARRANGEMENT



SYN.	REVISION	DATE	BY	DATE	DRAWN BY	J. B. SCALE	DATE	2-20-17	DWG. NO.	
								- top air discharge arrangement		
							FERRELL - ROSS		MACH. NO	
							SAGINAW, MICH.		SAGINAW, MICH.	



mill side shoe rocker

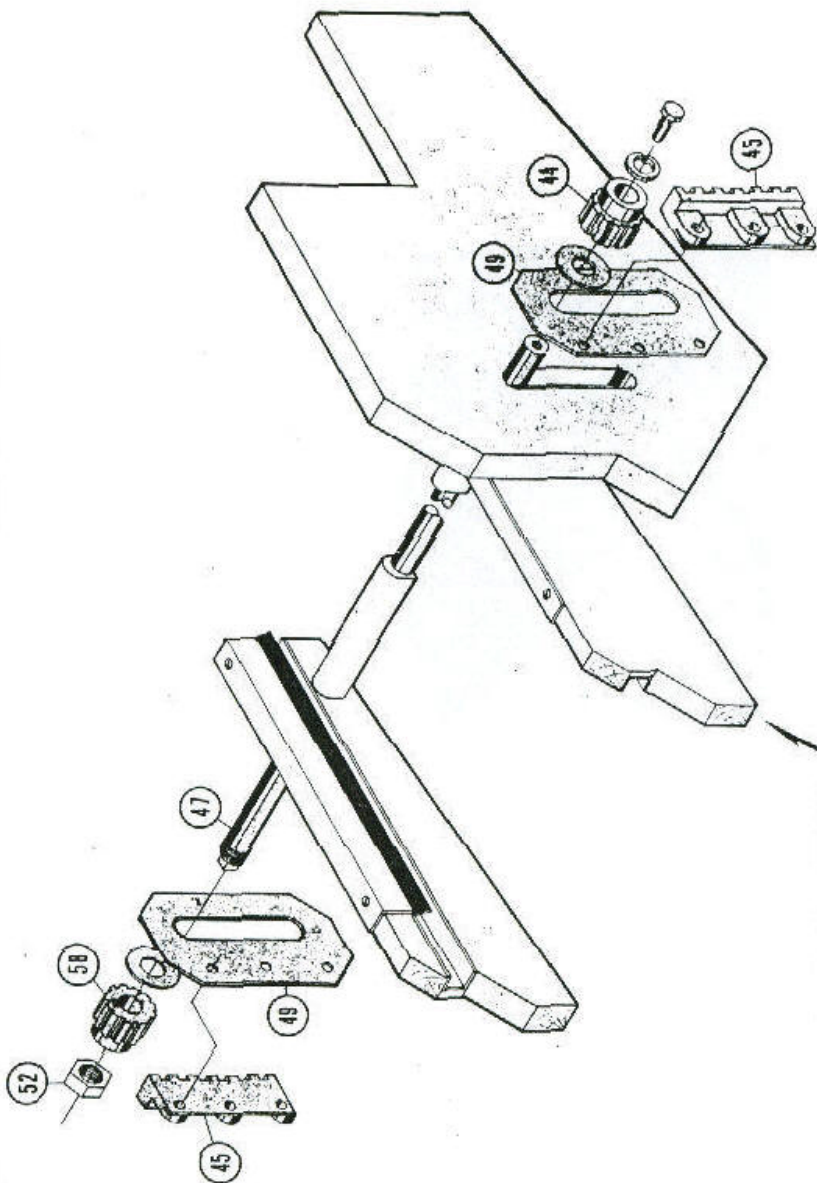
BRUSH ADJUSTING SYSTEM

REV.	DESCRIPTION	DATE	BY	DATE	SCALE	DATE

FERRELL - ROSS
BAGINAW, MICH.
DWG. NO. MACH. NO.

brush adjusting system

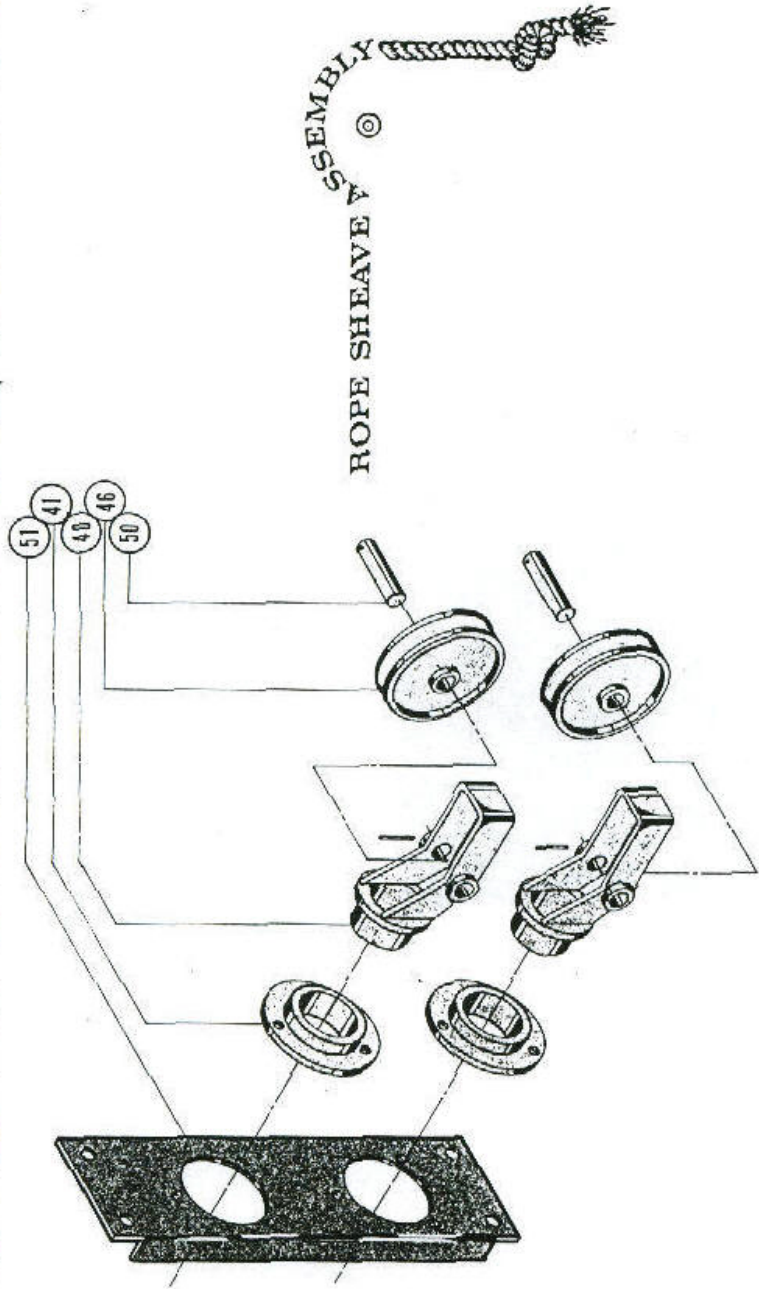
BLUET PRINT SUPPLY, INC. 12-18-83 12



TILTING ROD ASSEMBLY

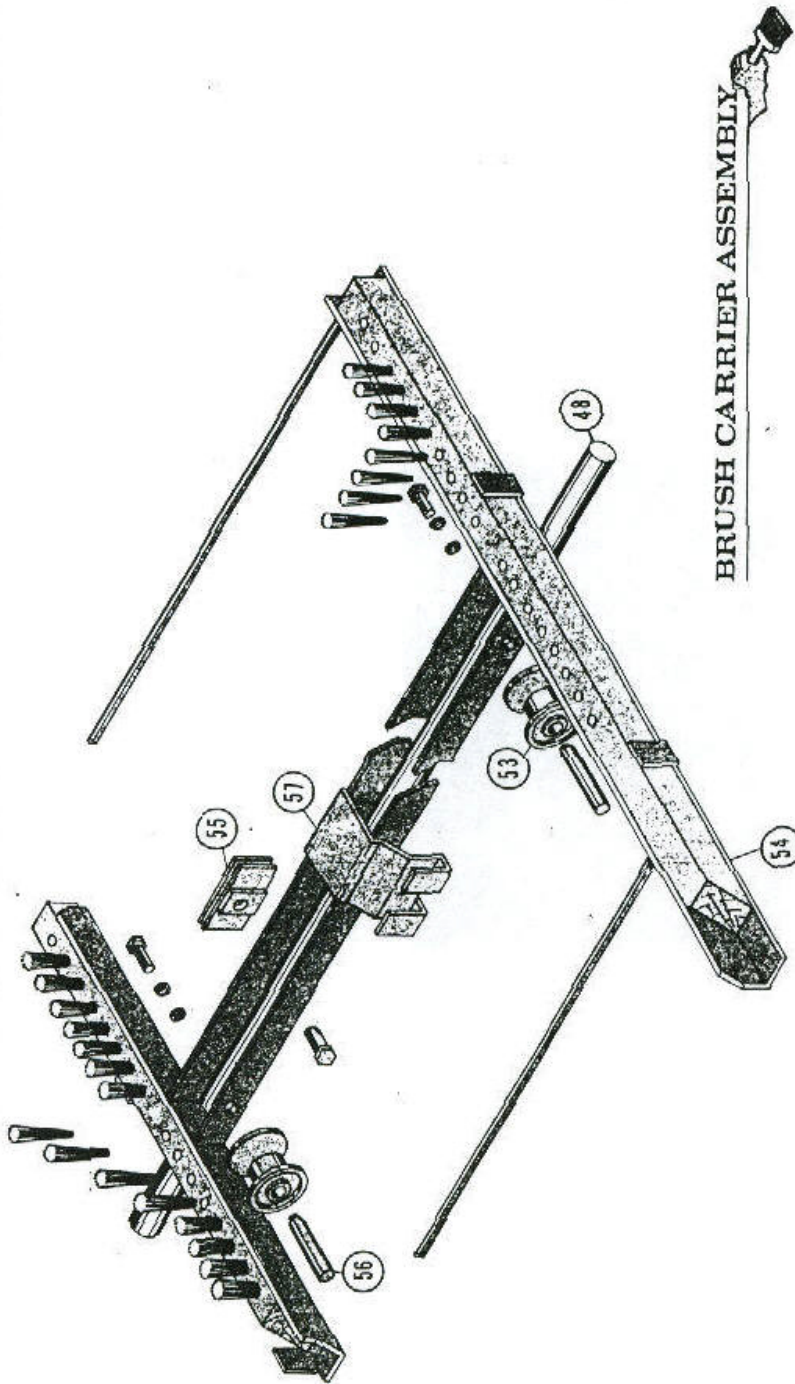
SYN.	REVISION	DATE	DR.	DWN. BY	SCALE	DATE	DWG. NO.	FERRILL - ROSS SAGINAW, MICH.	MACH. NO.

BLUE PRINT & SUPPLY CO. (204) 517174



REV.	REVISION	DATE	DRW.	SCALE	DATE	DWG. NO.	FERRELL - ROSS SAGINAW, MICH.	MACH. NO.
					12-19-27			

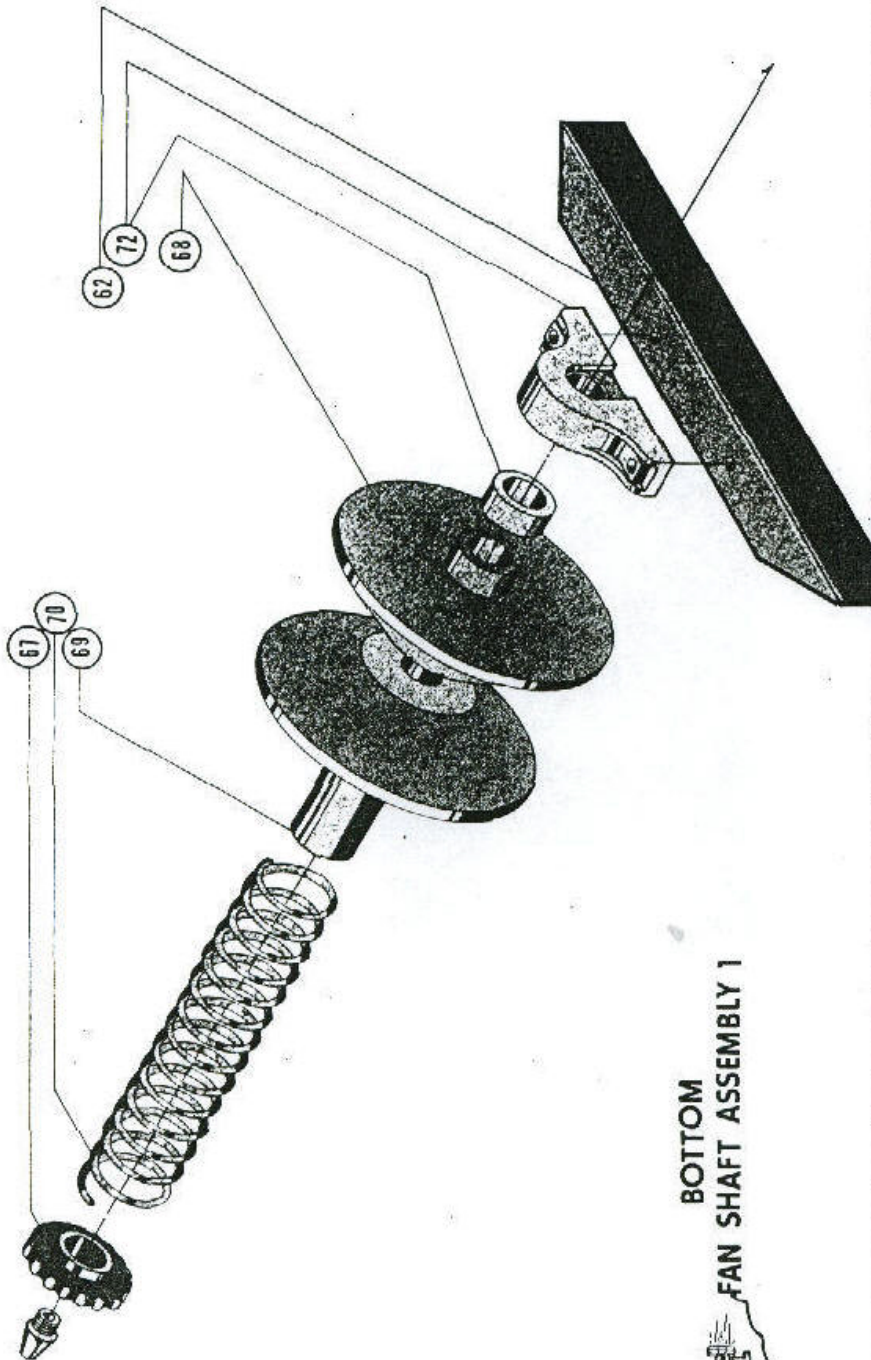
GROUP PRINT SUPPLY & SERVICE, INC.



BRUSH CARRIER ASSEMBLY



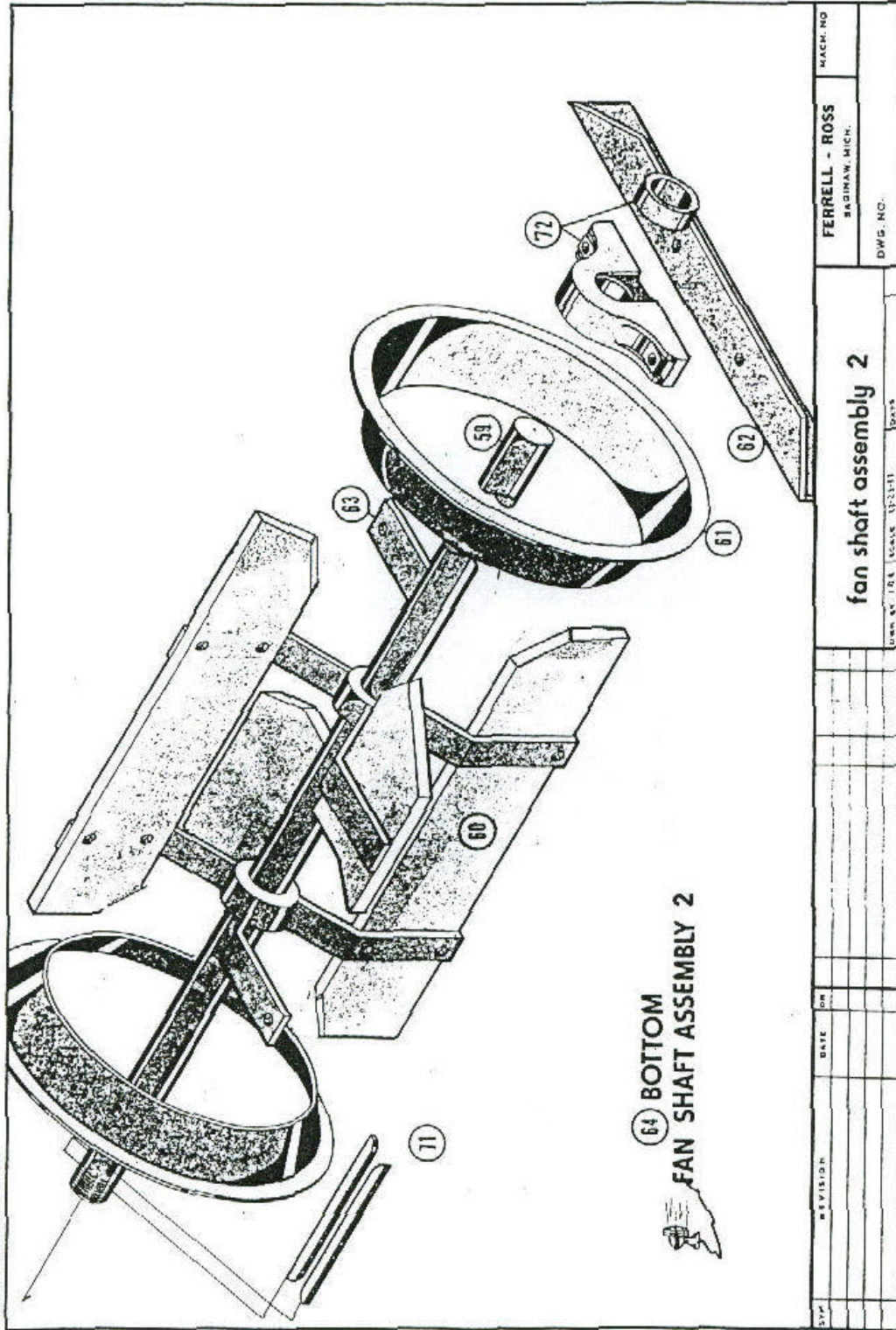
DATE	REV.	DATE	REV.	DATE	REV.	DATE	REV.	DATE	REV.	DATE	REV.
REVISION						DRAWN BY: J.D.B. SCALE:					
brush carrier assembly						DATE: 12-18-77					
FERRELL - ROSS						DWG. NO.					
SAGINAW, MICH.						MACH. NO.					



**BOTTOM
FAN SHAFT ASSEMBLY 1**



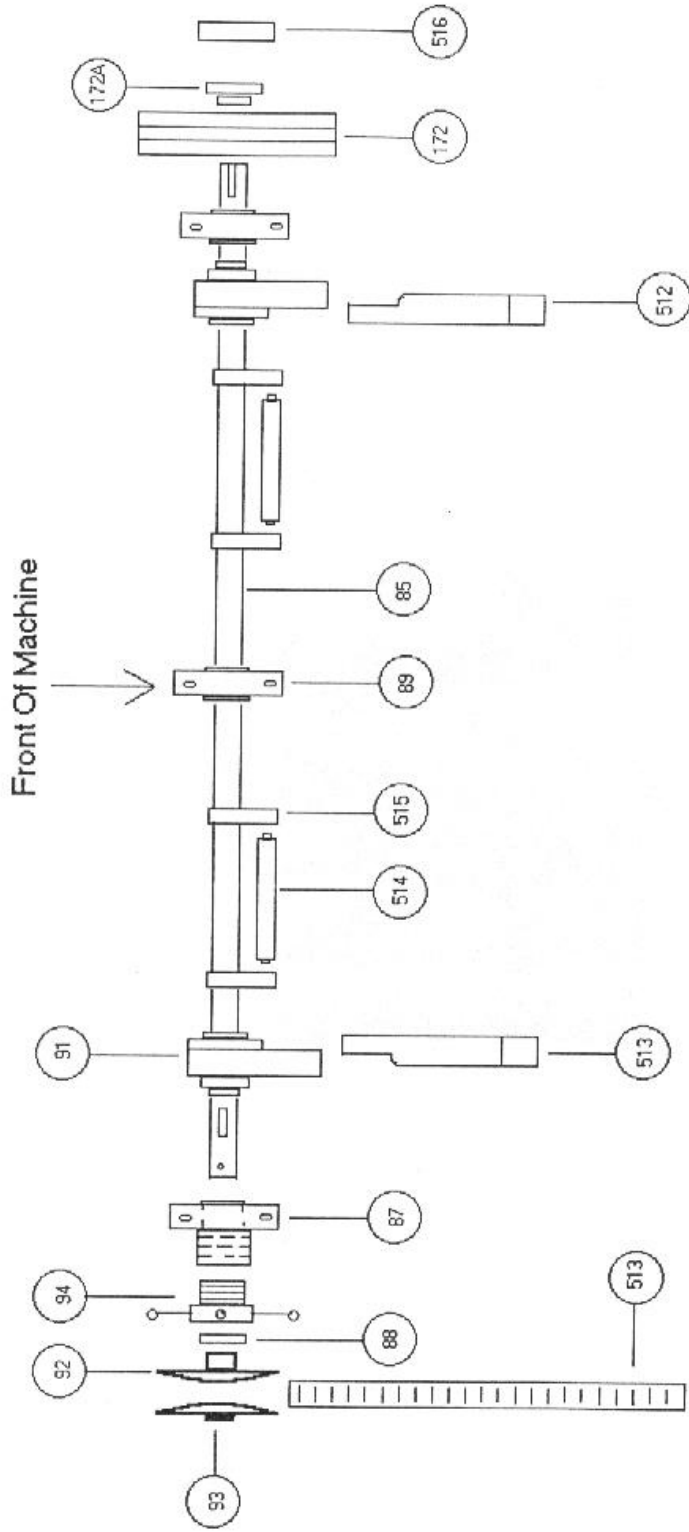
SYMBOL	REVISION	DATE	BY	DATE	BY	DATE	BY	DATE	BY	DATE	BY	DATE	BY
FERRELL - ROSS SAGINAW, MICH.				MACH. NO.									
fan shaft assembly 1				DWG. NO.									
DATE: 12-20-77				SCALE									

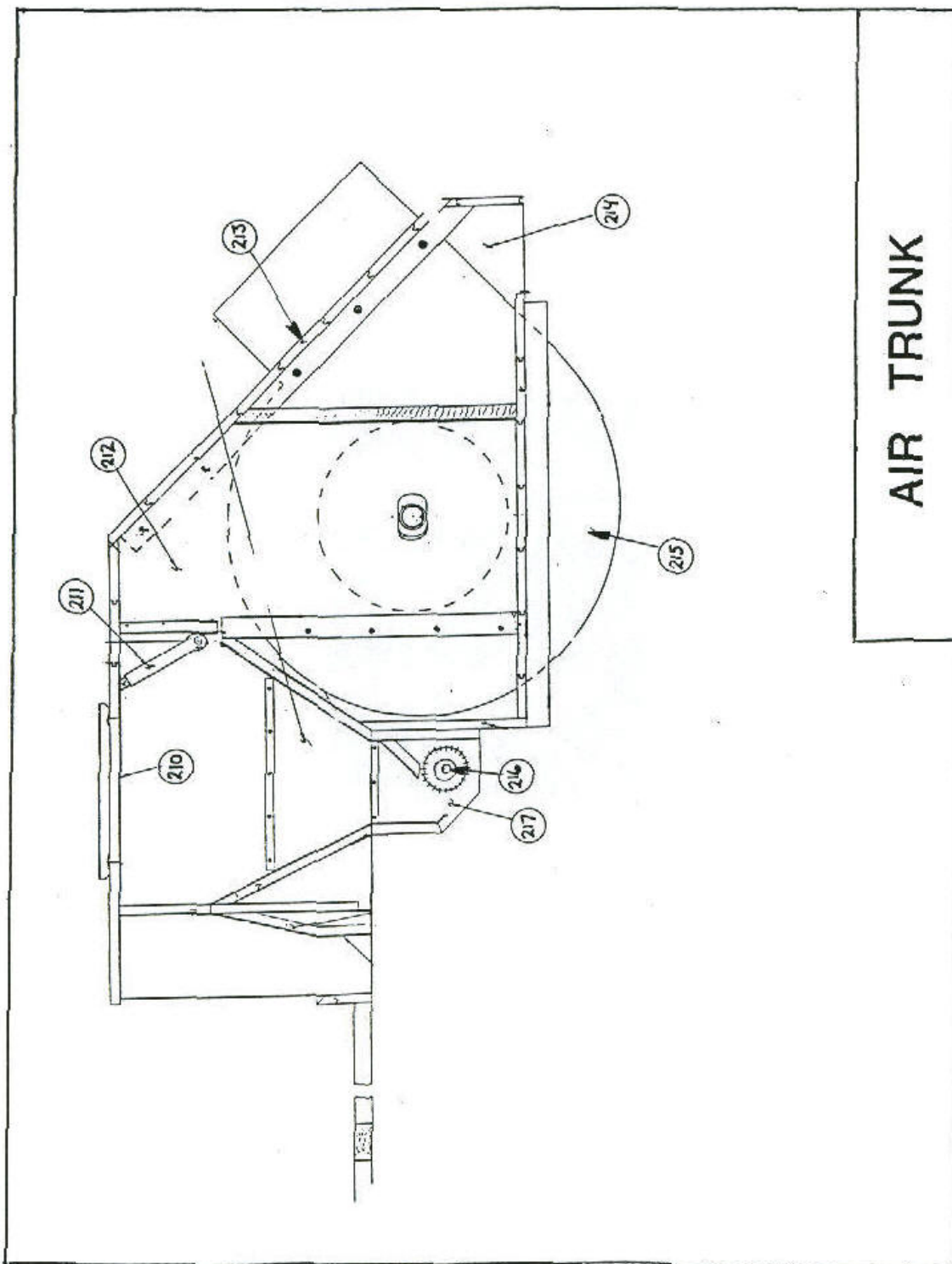


64 BOTTOM
FAN SHAFT ASSEMBLY 2

MACH. NO.		FERRELL - ROSS	
		SABINAW, MICH.	
		DWG. NO.	
		fan shaft assembly 2	
		DWG. NO. 1000 10000 10000	
REV.	REVISION	DATE	BY

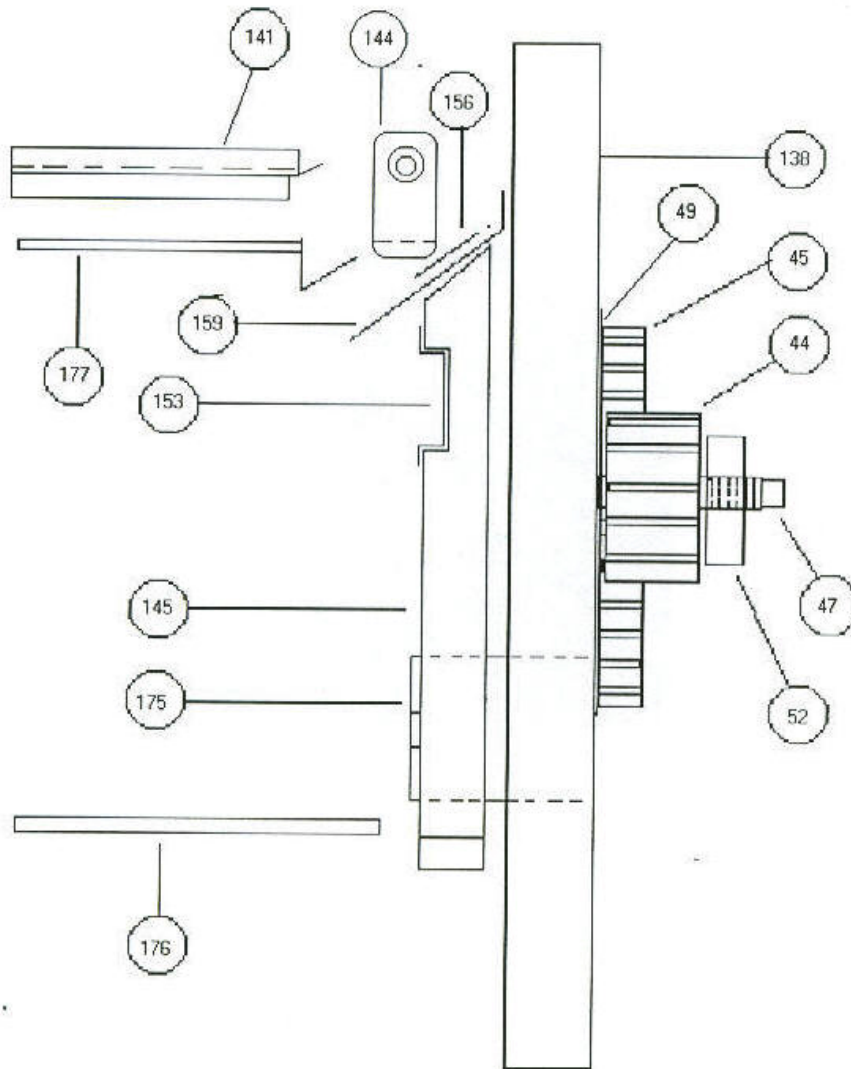
Eccentric Shaft For 60 Series

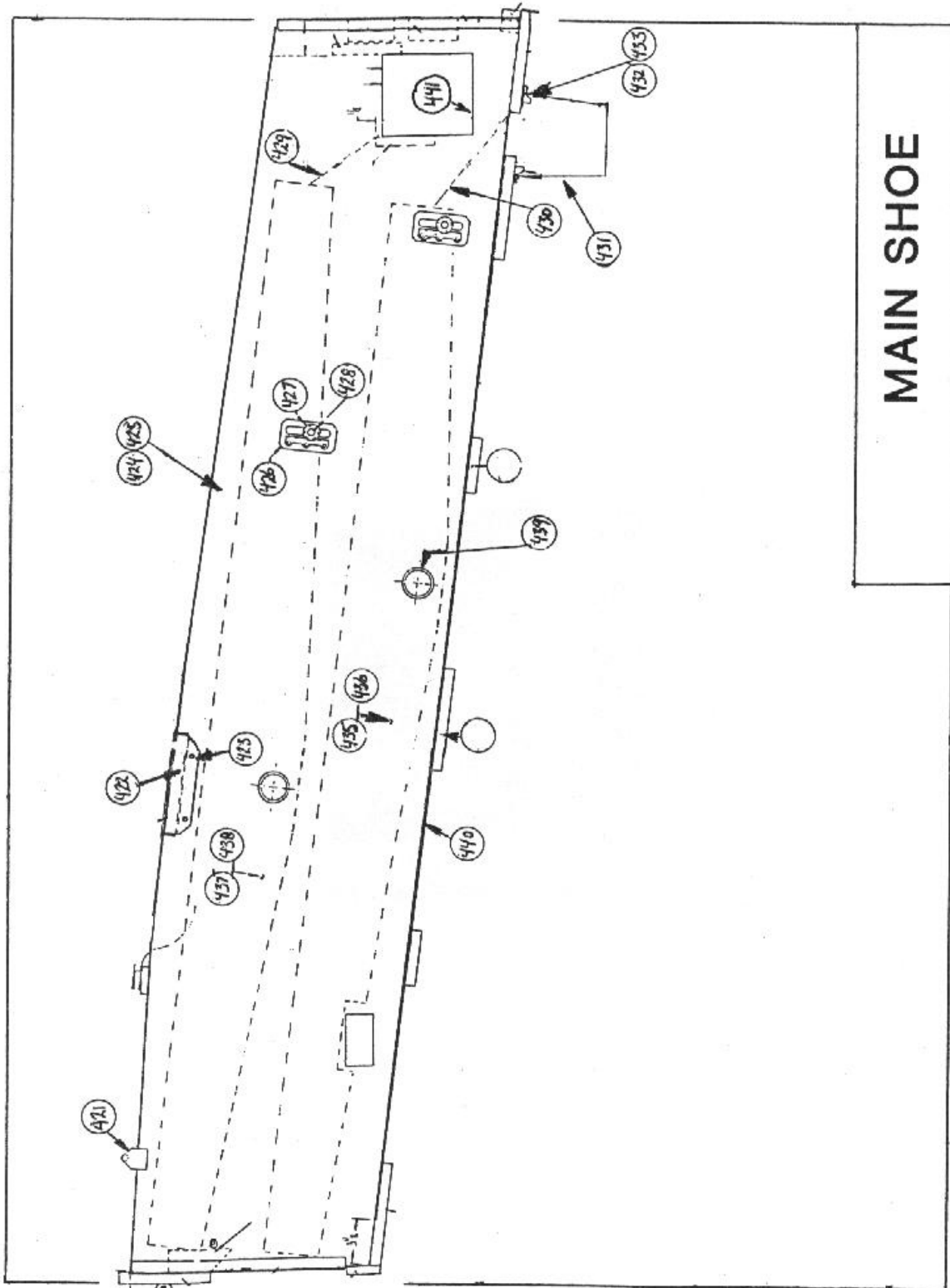




AIR TRUNK

Rocker Assembly View
Brush Style





MAIN SHOE