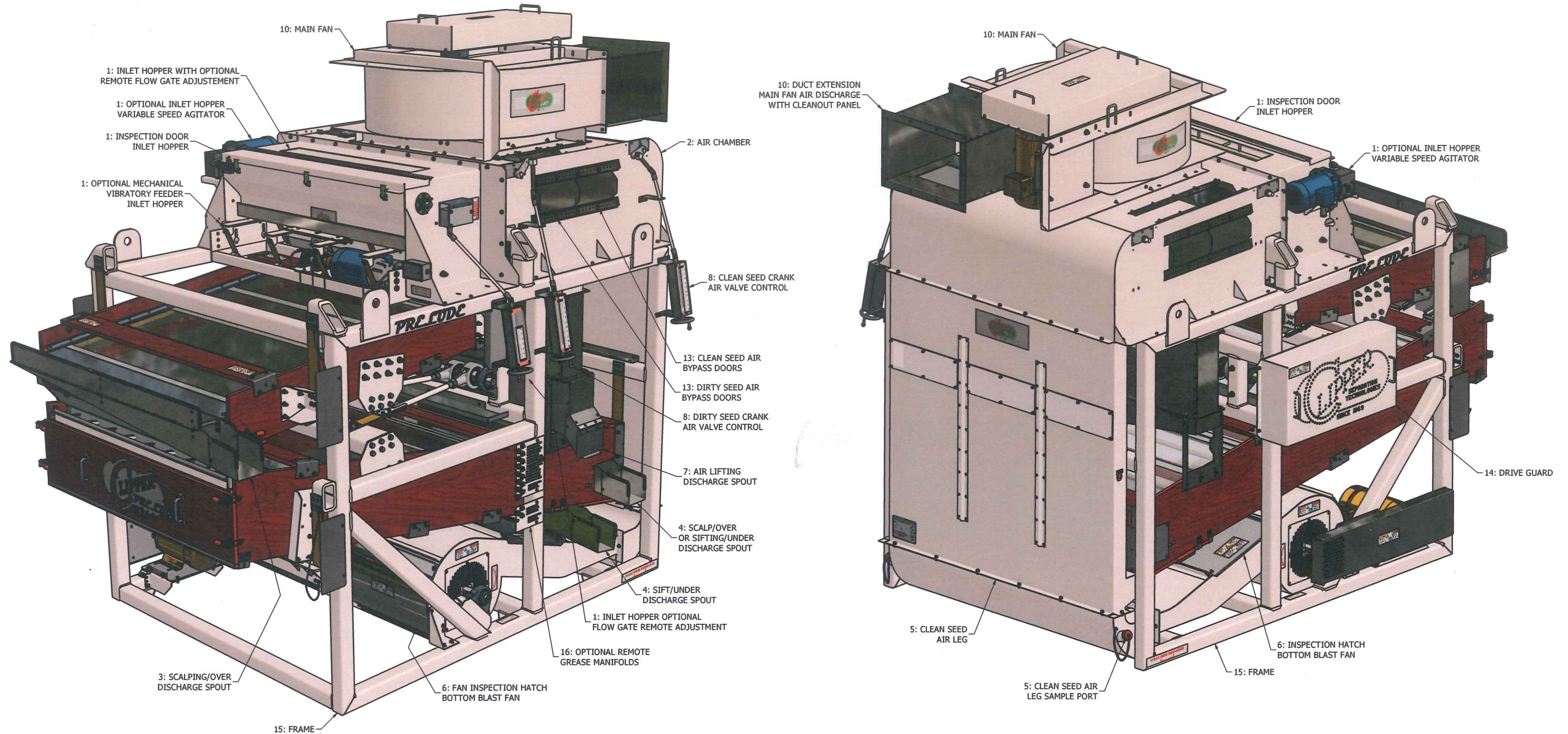



# PRELUDE 826



GENERAL DIMENSIONS:  
 EXTREME HEIGHT: 112.6" [2861 mm].  
 EXTREME WIDTH: 85.4" [2169 mm].  
 EXTREME LENGTH: 126" [3200 mm].  
 FLOOR WIDTH: 69.5" [1765 mm].  
 FLOOR LENGTH: 88.8" [2256 mm].

NOMINAL CAPACITIES:  
 SMALL SEED: 150 BPH [1.9 MT/HR].  
 MEDIUM SEED: 250 BPH [3.1 MT/HR].  
 LARGE SEED & WHEAT: 350 BPH [9.4 MT/HR].  
 MARKET/PRE-CLEANING: 1200 BPH [32.6 MT/HR].

		DIVISION OF A.T. FERRELL COMPANY 1440 S ADAMS ST BLUFFTON, INDIANA 46714 - USA PH: 260-824-3400 FAX: 260-824-5463		This drawing is the property of the A.T. Ferrell Company, Inc and must be returned immediately upon request. No part of this drawing may be reproduced, stored in a retrieval system or transmitted in any form or by any means, without prior written consent of the A.T. Ferrell Company, Inc.	
		DRAWN BY: dmjohnson	DRAWN DATE: 3/8/2019	APPROVED BY: DMJ	
TOLERANCES EXCEPT AS NOTED DECIMAL: ± .030 FRACTIONAL: ± 1/32 ANGULAR: ± 1/2° FINISH: TOUCH-UP PAINT		TITLE: OPERATIONS REFERENCE, RH SPLIT W/BOTTOM FAN, PRELUDE 826			
CAD NO MANUAL CHANGES	SCALE: 1 / 10	SHEET: 1 OF 1	SIZE: D	PART NUMBER: F68260010-OR	REV: A