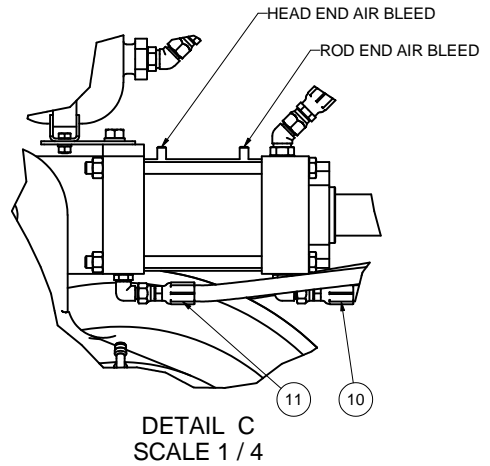
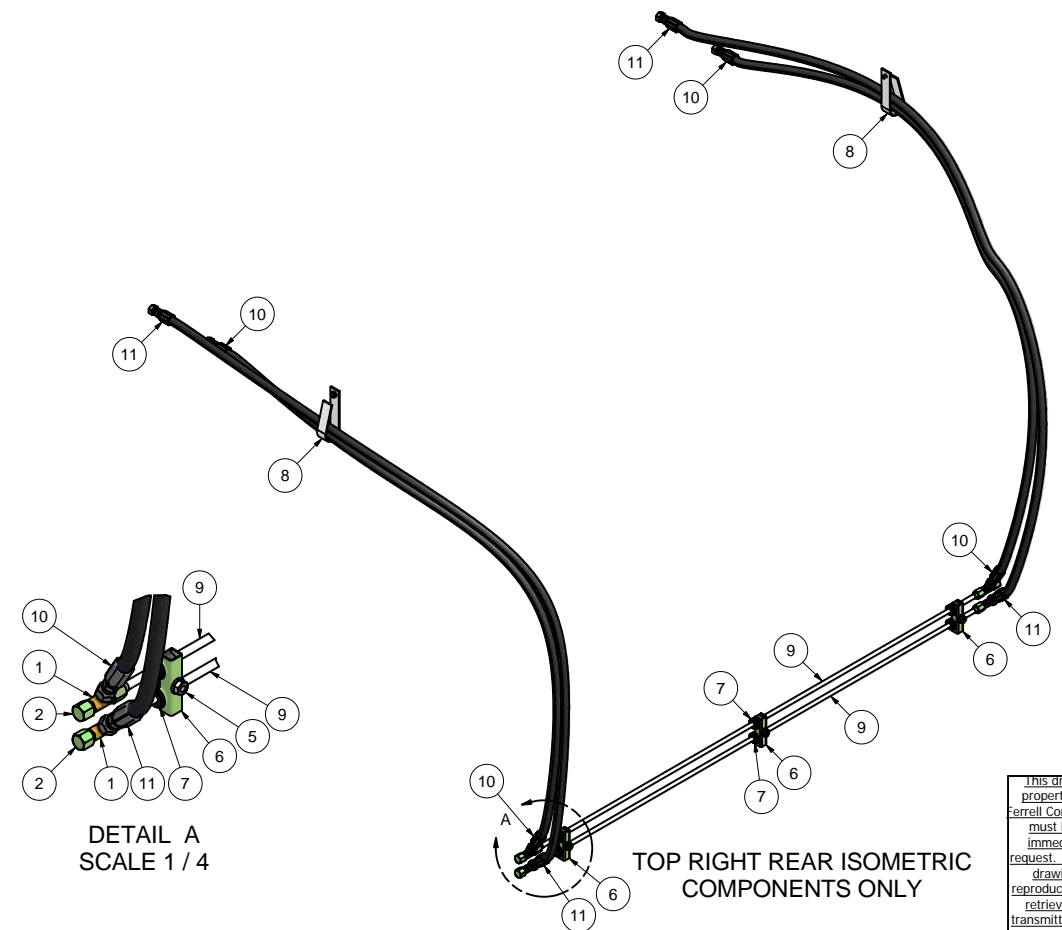
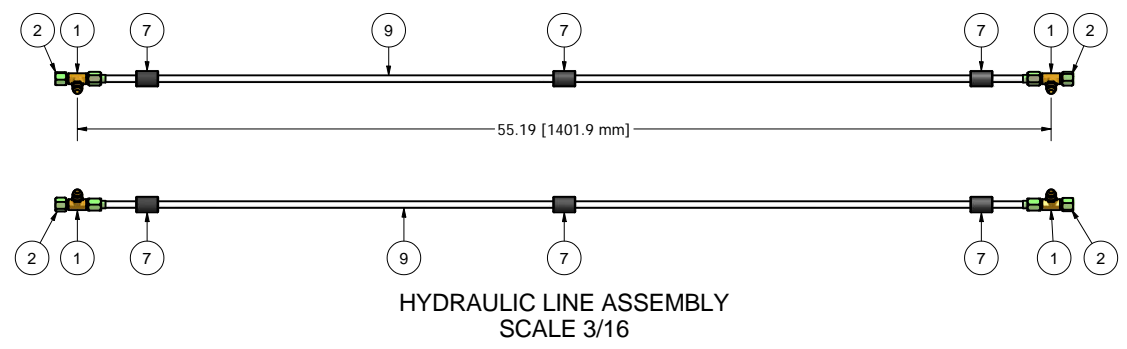
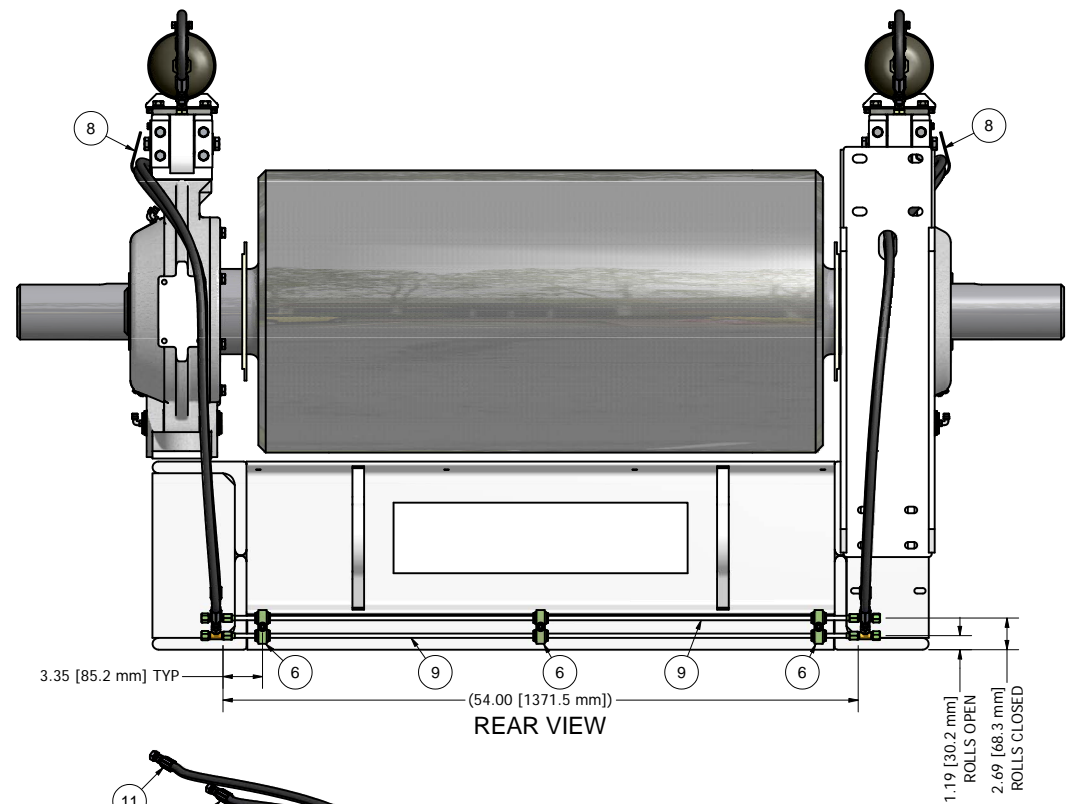
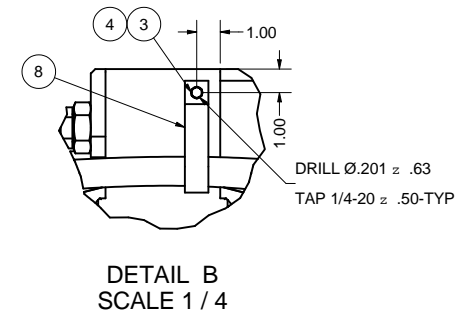
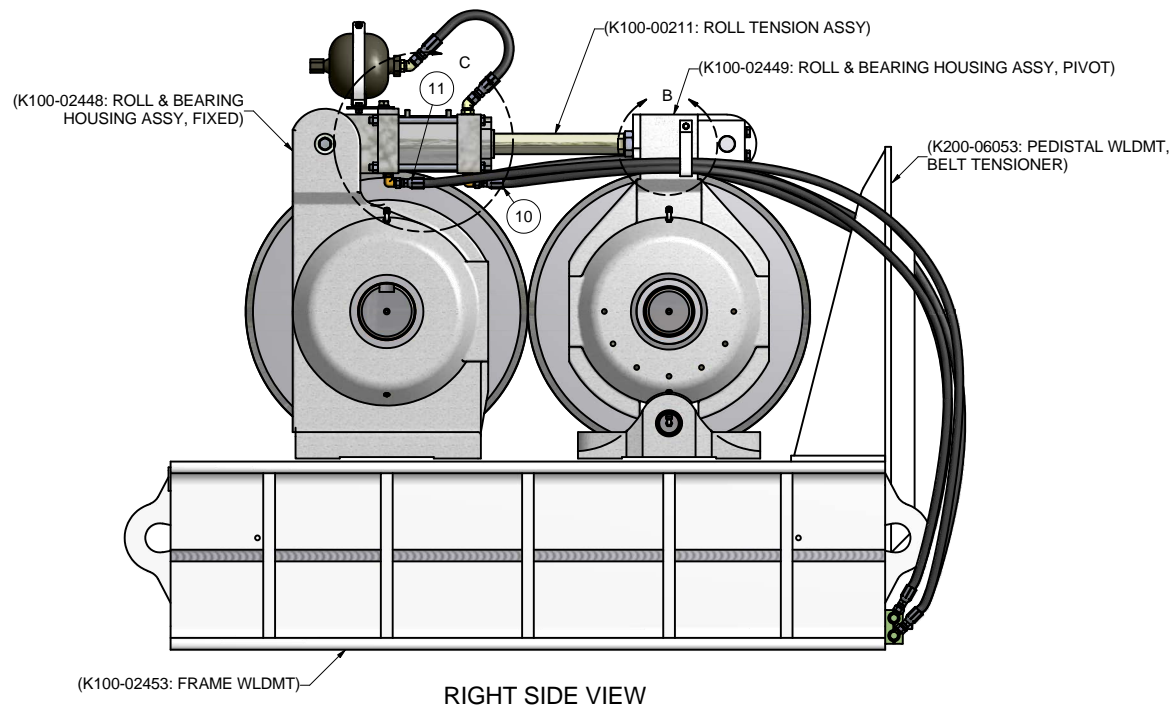


REV	LTR	ZONE	REVISION HISTORY DESCRIPTION	DATE	APPROVED
A	K060117		RELEASE PRINT	12/27/2006	AJGAGER



HYDRAULIC SYSTEM AIR BLEED PROCEDURE

1. CLOSE ROLLS & LOOSEN ROD END AIR BLEED SCREW. DO NOT REMOVE SCREW, LOOSEN ONLY ENOUGH TO BREAK THE SEAL. TIGHTEN SCREW.
2. OPEN ROLLS & REPEAT #1 FOR HEAD END AIR BLEED SCREW.
3. REPEAT #1 & 2 UNTIL ALL AIR IS REMOVED FROM THE SYSTEM.

NOTES:

1. DO NOT SCALE FROM DRAWING.
2. ONE PIECE REQUIRED PER K000-02448: ROLLER MILL ASSY, DUAL DRIVE FL 24 X 48".
3. ONE PIECE REQUIRED PER K000-02454: ROLLER MILL ASSY, DUAL DRIVE HP OS 24 X 48".
4. ALTERNATIVE UNITS [X.X] IN MILLIMETERS.
5. HYDRAULIC OPERATING PRESSURE 800-1200 PSI / 56.2-84.4 kg/sq cm. MAXIMUM RECOMMENDED HYDRAULIC PRESSURE 1800 PSI / 126.6 kg/sq cm.

ITEM	PART NUMBER	QTY	DESCRIPTION
11	K909-19961	2	HOSE, HYD 6G1-6FJX-6FJX 80.00"
10	K909-19955	2	HOSE, HYD 6G1-6FJX-6FJX 74.00"
9	K200-02143	2	TUBING, HYDRAULIC 24 X 48"
8	K200-02066	2	HANGER, HYDRAULIC HOSE
7	80000510	6	BSHG, SPLIT RBBR .38 X .88 X 1.25"
6	70001017	3	CLAMP, HYD TBG 1.50" HC-10-2
5	66784400	3	NUT, HEX SERR LOCK 3/8-16
4	66443300	2	WASHER, LOCK HELICAL 1/4"
3	62583312	2	HHCS, 1/4-20 X 1/2"
2	53070006	4	CAP. NUT 3/8 JIC A66-6
1	53061006	4	TEE, UNION AC3200-6

This drawing is the property of the A.T. Ferrell Company, Inc. and must be returned immediately upon request. No part of this drawing may be reproduced, stored in a retrieval system or transmitted in any form or by any means, without prior written consent of the A.T. Ferrell Company, Inc.

NO MANUAL CHANGES EXCEPT AS NOTED

FINISH: NONE
SCALE: 1:8
DRAWN BY: dmjohnson
APPROVED BY: DMJ

TITLE: HYDRAULIC ASSY, DUAL DRIVE 24 X 48"
DATE: 12/27/2006
SIZE: D
PART NUMBER: K100-02457
SHEET: 1 of 1

K100-02457