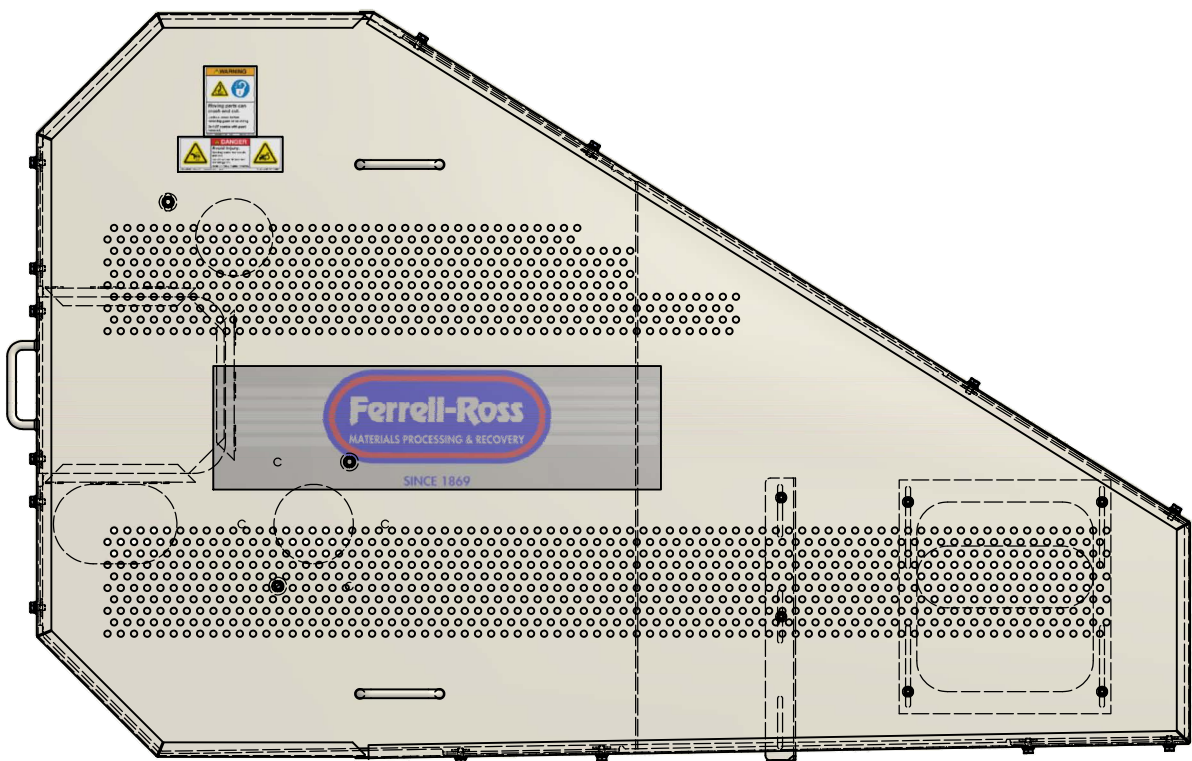
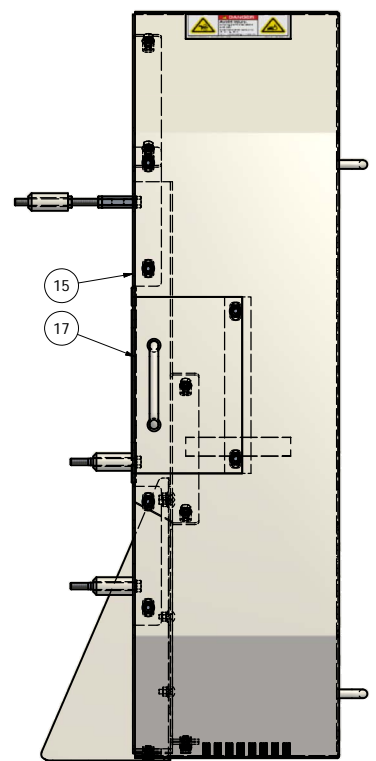
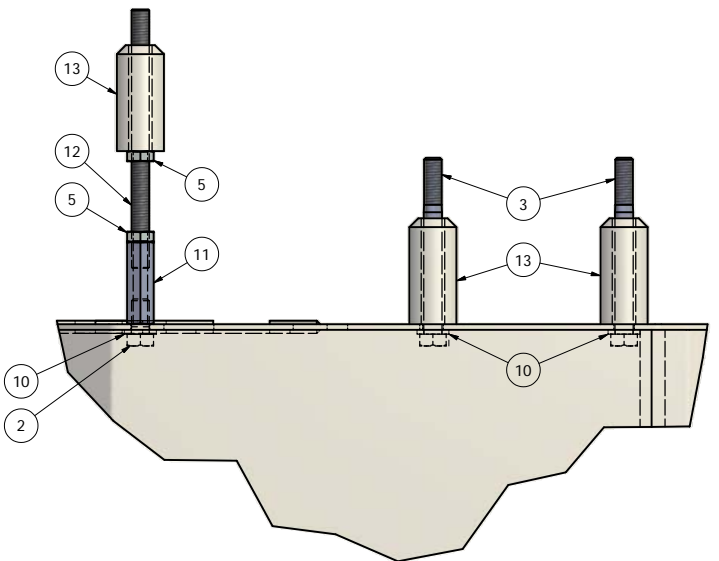
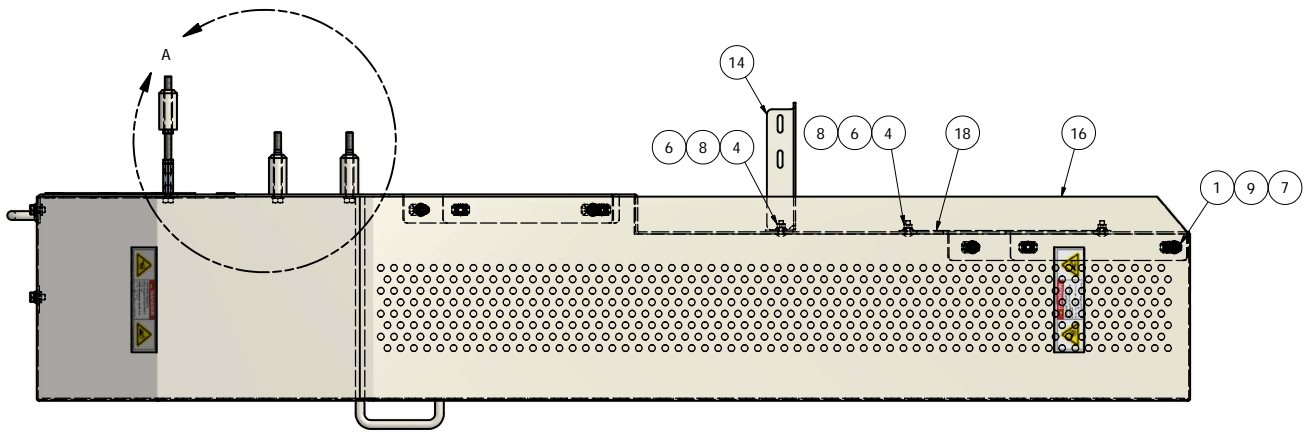


REVISION HISTORY				
REV	ECN	DESCRIPTION	DATE	APPROVED
A	K100146	REDRAWN INVENTOR, UPDATED DESIGN	6/7/2010	SH



ITEM	PART NUMBER	QTY	DESCRIPTION
18	K200-08076	1	GUARD, MOTOR SHEAVE, DRIVE GUARD, SINGLE 12
17	K200-08072	1	ASSY, WELDMENT, DRIVE GUARD, SINGLE 12
16	K200-08070	1	ASSY, COVER WELDMENT, DRIVE GUARD, SINGLE RH RF 12
15	K200-08060	1	ASSY, BACK PLATE WELDMENT, DR GR 12 SGL RH
14	K200-06556	1	MOUNT B, GUARD, 18"
13	K200-04339	3	SPACER, GUARD, 2.25" 10"
12	K200-02878	1	STUD, THRD HR 3/8-16 X 5.50"
11	70010013	1	CPLG, STL HEX 3/8-16 X 1.75"
10	66444400	3	WASHER, LOCK HELICAL 3/8"
9	66443800	14	WASHER, LOCK HELICAL 5/16"
8	66443300	6	WASHER, LOCK HELICAL 1/4"
7	66403800	14	WASHER, FLAT, 5/16" TYPE A
6	66403300	6	WASHER, FLAT 1/4"
5	66104400	2	NUT, HEX JAM 3/8-16
4	66083300	6	NUT, HEX 1/4-20
3	62584449	2	HHCS, 3/8-16 X 3.75"
2	62584417	1	HHCS, 3/8-16 X 3/4"
1	62583815	14	HHCS, 5/16-18 X 5/8"

This drawing is the property of the A.T. Ferrell Company, Inc. and must be returned immediately upon request. No part of this drawing may be reproduced, stored in retrieval system or transmitted in any form or by any means, without prior written consent of the A.T. Ferrell Company, Inc.

**CAD**  
NO MANUAL CHANGES EXCEPT AS NOTED

**TOLERANCES**  
EXCEPT AS NOTED

DECIMAL: .xxx = .005  
.xx = .030  
FRACTIONAL: ± 1/32  
ANGULAR: ± 1/2

FINISH: TOUCH UP PAINT

SCALE: 0.19:1

DRAWN BY: dmjohnson

APPROVED BY: DMJ

DIVISION OF A. T. FERRELL COMPANY

**Ferrell-Ross**  
MATERIALS PROCESSING & RECOVERY  
SINCE 1869

BLUFFTON, INDIANA - USA

TITLE: GUARD ASSY, DRIVE, SINGLE RH RF 12"

DATE: 6/3/2010

SIZE: D

PART NUMBER: K100-01782

SHEET: 1 of 1

NOTES:  
1. DO NOT SCALE FROM DRAWING.