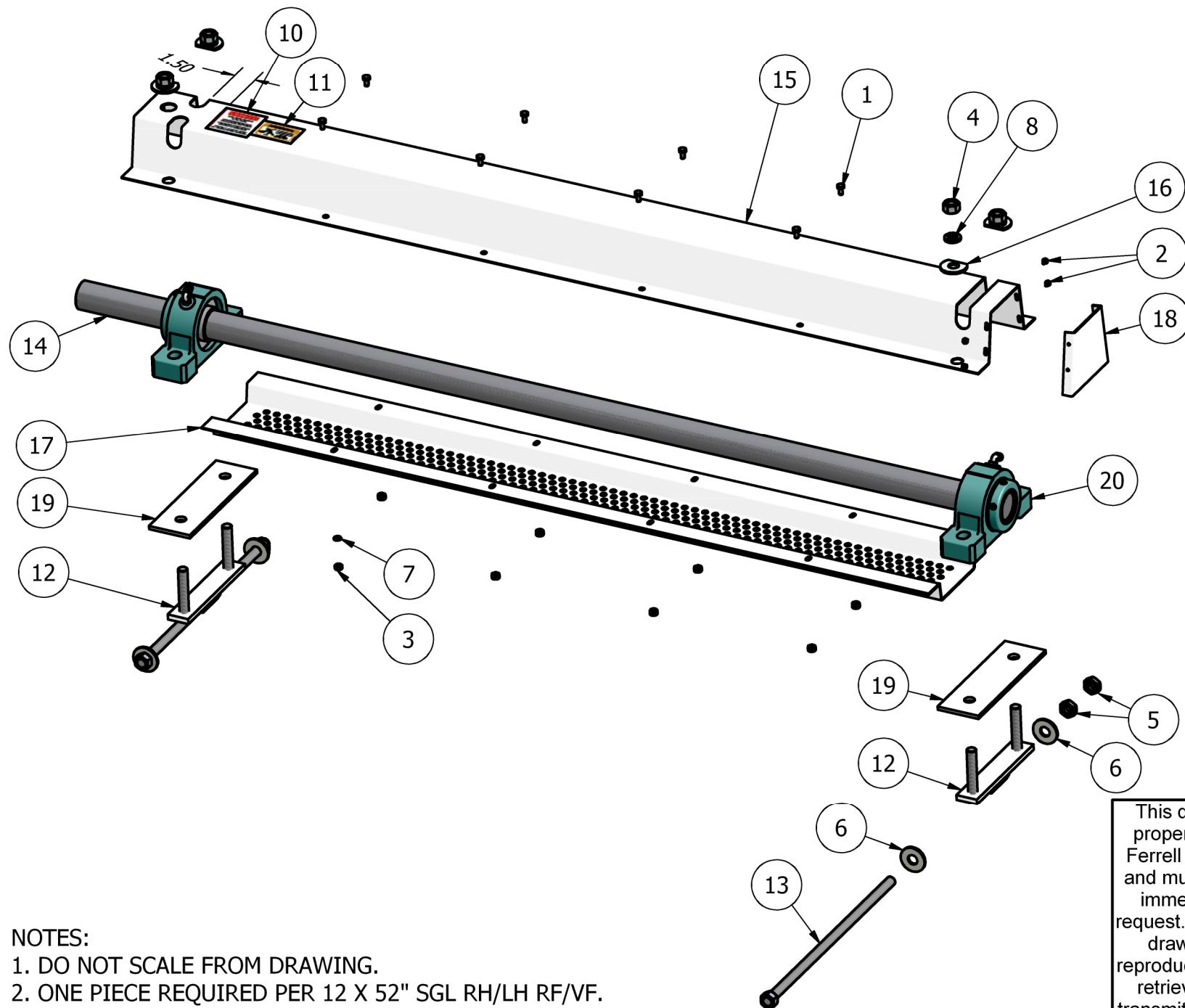


REVISION HISTORY


REV	ECN	DESCRIPTION	DATE	APPROVED
A	K010031	REDRAWN ON CAD	3/22/2001	DJ
B	K020060	DELETE 66105200, 66405200, 70012003, K100-01413 & K200-10580, QTY 66405800 WAS 4PCS, ADD 66105800, 70012050, K100-01414 & K100-01415	7/30/2002	DJ
C	K090007	REDRAWN IN INVENTOR	1/8/2009	SH
D	K090023	ADD 80003568 & 80003643	1/21/2009	dmjohnson



20	K902-11301	2	BRNG, PB 2 HOLE 1.938"
19	K200-10884	2	SPACER, IDLER BEARING 10/12/18"
18	K200-10655	1	END, GUARD, IDLER SHAFT 10/12"
17	K200-01768	1	GUARD, BTM DIFF SHAFT 12 X 52"
16	K200-01670	4	WASHER, FLAT SHEARED 5/8"
15	K200-00959	1	GUARD, DIFF SHAFT, 12 X 52"
14	K200-00089	1	SHAFT, DIFFERENTIAL IDLER 10/12 X 52"
13	K100-01415	2	IDLER SCREW WLDMT, 5/8-11 XHD 18/20"
12	K100-01414	2	IDLER SLIDE WLDMT, 5/8-11 XHD 18/20"
11	80003643	1	DECAL, WARNING, BELT & CHAIN
10	80003568	1	DECAL, DANGER, KEEP COVER SECURED
9	70012050	2	CPLG, ELBOW 90 1/8-27M NPT X 1/4" TBG
8	66445800	4	WASHER, LOCK HELICAL 5/8"
7	66443300	8	WASHER, LOCK HELICAL 1/4"
6	66405800	4	WASHER, FLAT 5/8" WIDE TYPE A
5	66105800	4	NUT, HEX JAM 5/8-11
4	66085800	4	NUT, HEX 5/8-11
3	66083300	8	NUT, HEX 1/4-20
2	65482205	4	SCW, MACH HX SLT HD T/C 8-32 X 1/4"
1	62583312	8	HHCS, 1/4-20 X 1/2"
ITEM	PART NUMBER	QTY	DESCRIPTION

NOTES:  
 1. DO NOT SCALE FROM DRAWING.  
 2. ONE PIECE REQUIRED PER 12 X 52" SGL RH/LH RF/VF.  
 3. TWO PIECES REQUIRED PER 12 X 52" 2HI RH/LH RF/VF.  
 4. RIGHT HAND ASSEMBLY SHOWN, ASSEMBLE K200-00089 AND K200-00959 OPPOSITE FOR LEFT HAND, SEE SALES ORDER.

This drawing is the property of the A.T. Ferrell Company, Inc and must be returned immediately upon request. No part of this drawing may be reproduced, stored in a retrieval system or transmitted in any form or by any means, without prior written consent of the A.T. Ferrell Company, Inc

<b>CAD</b> NO MANUAL CHANGES				
TOLERANCES EXCEPT AS NOTED				
DECIMAL: xxx ± .005 xx ± .030	FINISH: NONE	SCALE: 0.11:1	DRAWN BY: pggalea	APPROVED BY: DMJ
FRACTIONAL: ± 1/32	TITLE: IDLER ASSY, DIFFERENTIAL 1.5:1, 12 X 52"			
ANGULAR: ± 1/2'	DATE: 6/24/2005	SIZE: B	PART NUMBER: K100-00456	SHEET: 1 of 1