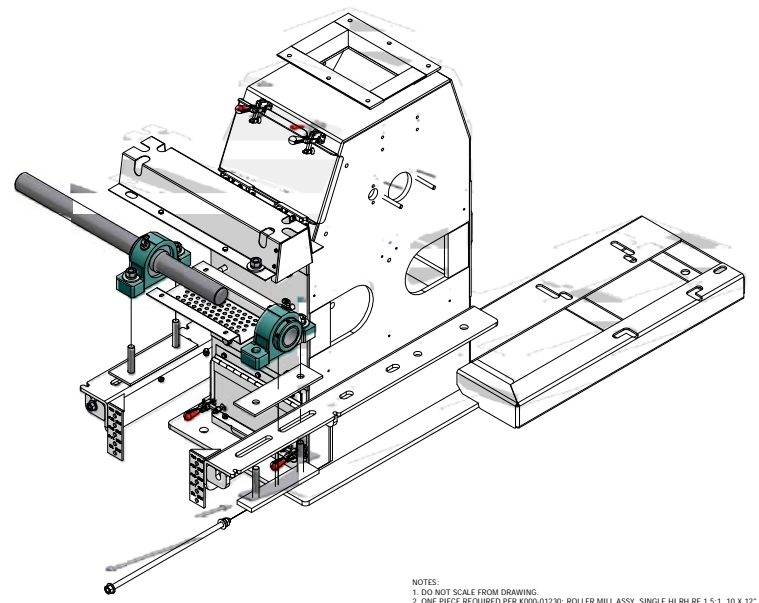
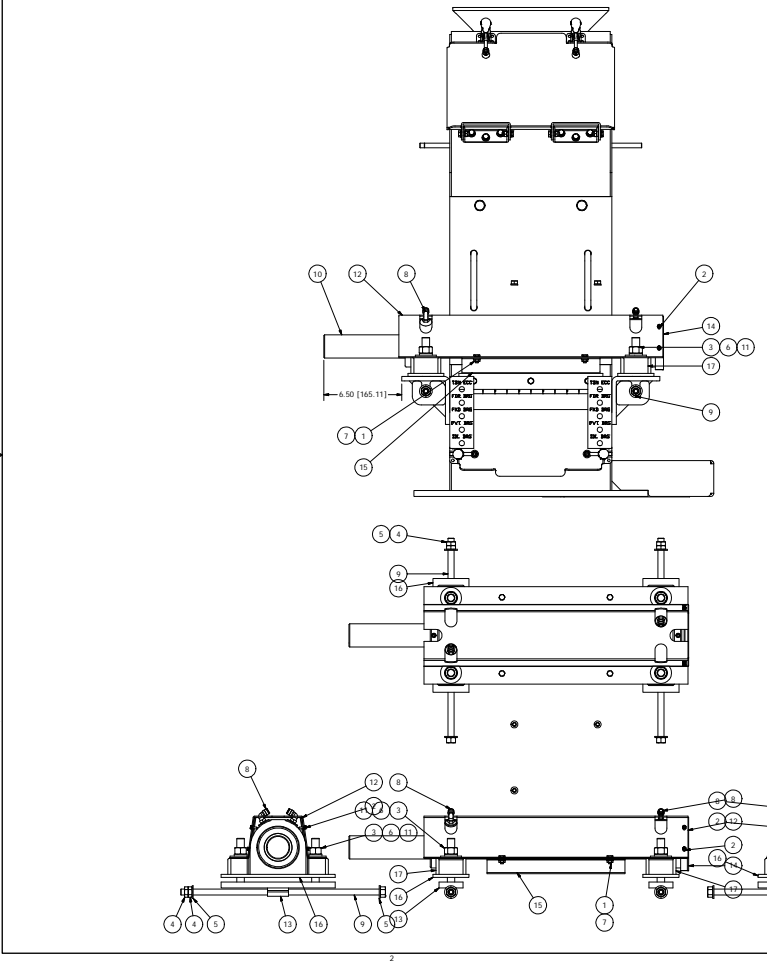


REV	ECN	DESCRIPTION	DATE	APPROVED
A	K990047	RELEASED	7/9/1999	AP
B	K090077	REDRAWN IN INVENTOR, WAS D SIZE	3/20/2009	pggalea



- NOTES:
- DO NOT SCALE FROM DRAWING.
  - ONE PIECE REQUIRED PER K000-01230: ROLLER MILL ASSY, SINGLE HI SH BF 1.5:1, 10 X 12"
  - ONE PIECE REQUIRED PER K000-01236: ROLLER MILL ASSY, SINGLE HI 10 X 12"
  - TWO PIECES REQUIRED PER K00-01250: ROLLER MILL ASSY, 2 HI 10 X12"

ITEM	PART NUMBER	QTY	DESCRIPTION
17	K902-11301	2	BRNG, PB 2 HOLE 1.938"
16	K200-10884	2	SPACER, IDLER BEARING 10/12/18"
15	K200-10878	1	GUARD, BOTTOM, DIFF. IDLER, 10 X 12"
14	K200-10655	1	END, GUARD, IDLER-SHAFT 10/12"
13	K200-10580	2	SLIDE WLDMT, IDLER BEARING, 10, 12"
12	K200-01671	1	GUARD, DIFF SHMT, 10 X 12"
11	K200-01670	4	WASHER, FLAT, SHERARD 5/8"
10	K200-00091	1	SHAFT, DIFFERENTIAL IDLER, 10 X 12"
9	K100-01413	2	SCRW WLDMT, IDLER BEARING, 3/8D 18"
8	T0012050	2	SPCL, FLRW 90 1/8-27/28 RPT X 1 1/4" TIG
7	66783300	4	NUT, HEX SERR LOCK 1/4-20
6	66445800	4	WASHER, LOCK HELICAL 5/8"
5	66105300	4	WASHER, FLAT 1/2" TYPE A
4	66105300	2	NUT, HEX JAM 1/2-13
3	66085800	4	NUT, HEX 5/8-11
2	65482312	4	SCRW, INCH 8-32 X 1 1/2" 1/4K SLT HD 3/16"
1	62583312	4	BHCS, 1/4-20 X 1/2"

This drawing is the property of the A. T. Ferrell Company, Inc. and shall not be released immediately upon receipt. No part of this drawing may be reproduced, stored in a retrieval system or transmitted in any form or by any means, without prior written consent of the A. T. Ferrell Company, Inc.

**CAD**  
NO MANUAL CHECKS

TOLERANCES UNLESS NOTED OTHERWISE:  
DIM + .005  
HOLE + .005

APPROVED BY: **pggalea**  
DATE: 3/19/2009  
PART NUMBER: **K100-00448**

1 of 1