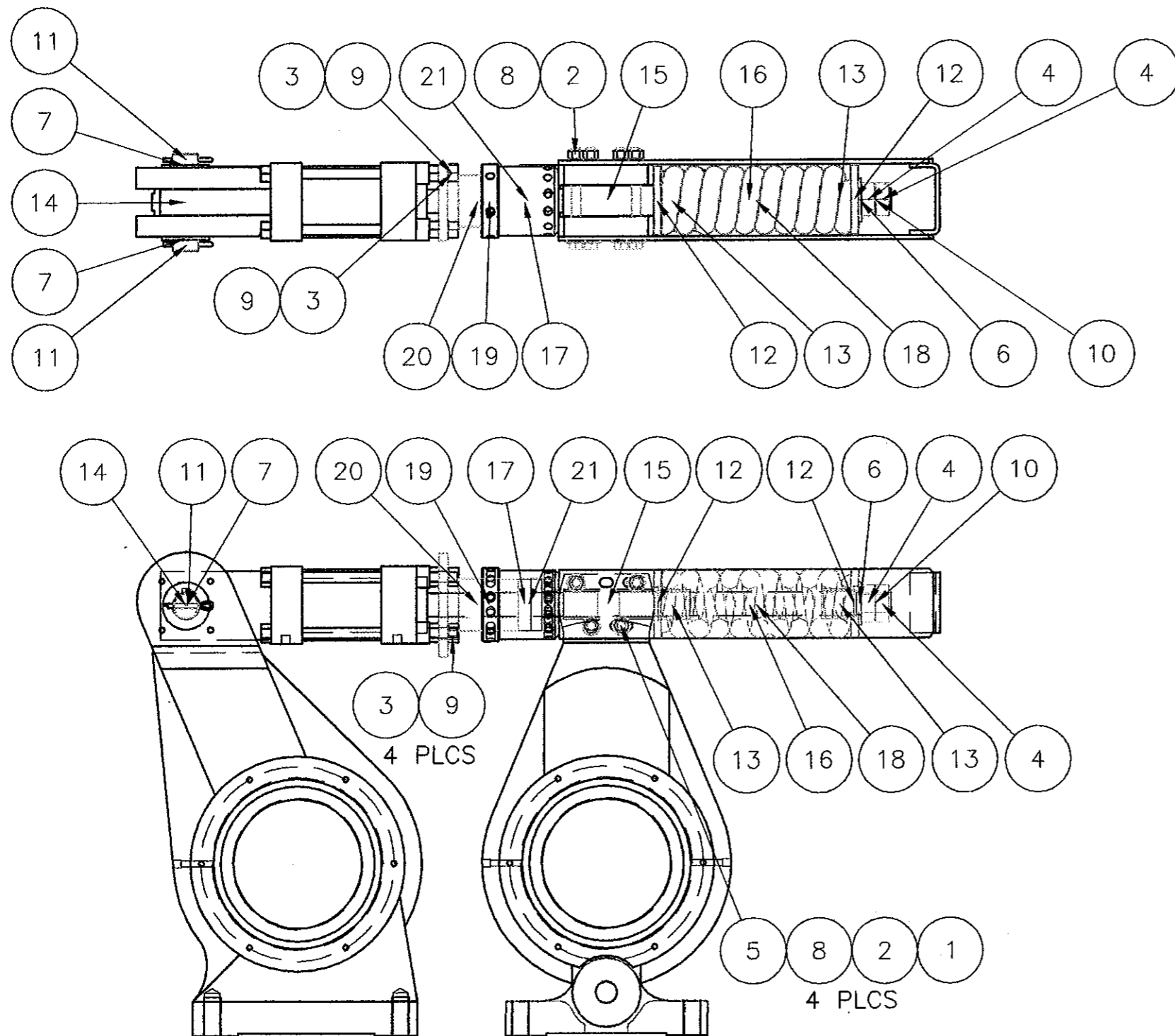



This drawing is the property of the A.T. Ferrell Company, Inc and must be returned immediately upon request. No part of this drawing may be reproduced, stored in a retrieval system or transmitted in any form or by any means, without prior written consent of the A.T. Ferrell Company, Inc



NOTES:

- 1: DO NOT SCALE FROM DRAWING.
- 2: TWO PIECES REQUIRED PER K000-00171: ROLLER MILL ASSY, XHD RH 18 X 36".
- 2: TWO PIECES REQUIRED PER K000-00184: ROLLER MILL ASSY, DUAL DRIVE 18 X 36".

Item	PART NUMBER	Qty	DESCRIPTION
A 21	K201-05371	1	NUT, ROLL ADJ, XHD 18"
20	K201-05370	1	SCW, ROLL ADJ 3.00X4.63" XHD 18"
19	K201-05369	1	NUT, JAM, ROLL ADJ, XHD 18"
18	K201-00273	1	SPRING, TENSION XHD 18"
17	K201-00183	1	CYL, HYD ORTMAN 3.25X3.00" BM-24972-TS
16	K200-00710	1	SPRING GUARD WLDMT, 18" FL
15	K200-00696	1	TUBE, CYL ROD SUPPORT XHD
14	K200-00680	1	PIN, CLEVIS, HYD CYL 18"
13	K200-00175	2	SLEEVE, HYD SPRING WSHR, XHD 18"
12	K200-00155	2	WASHER, POS ADJ HD&XHD
11	70002010	2	PIN, COTTER 1/4 X 2.00"
10	66548200	1	WSHR, LOCK INT STAR 1.25"
9	66545800	4	WSHR, LOCK INT STAR 5/8"
A 8	66445200	4	WASHER, LOCK 1/2"
7	66429000	2	WASHER, FLAT 1.5 TYPE B
6	66408200	1	WASHER, FLAT 1.25" PLT
A 5	66405200	4	WASHER, FLAT 1/2" PLT
4	66108200	2	NUT, HEX JAM 1.25-12 PLT
3	66085900	4	NUT, HEX 5/8-18 PLT
A 2	66085200	4	NUT, HEX 1/2-13
A 1	62585257	4	HHCS 1/2-13 X 5.50"

CAD NO MANUAL CHANGES				
TOLERANCES (EXCEPT AS NOTED)				
DECIMAL: .XXX ± .005 .XX ± .030	FINISH: NONE	SCALE: 1/8	DRAWN BY: DJ	APPROVED BY: X.X.X.
FRACTIONAL: ± 1/32	DRAWING TITLE: ROLL TENSION ASSY, 18" XHD HYD			
ANGULAR: ± 1/2°	DATE: 8/8/02	SIZE: B	DRAWING NO.:	SHEET:
			K100-00212	1 of 2

SYM	ECN/NPR NO	DATE	DESCRIPTION OF CHANGE	DRCK
A	K020052	8/8/02	4, 1/2" FASTENERS WAS 5, ORIENT K201-05370	DJ/XX
-	K010108	9/19/01	REDRAWN ON CAD XXXXXX	XX/DJ