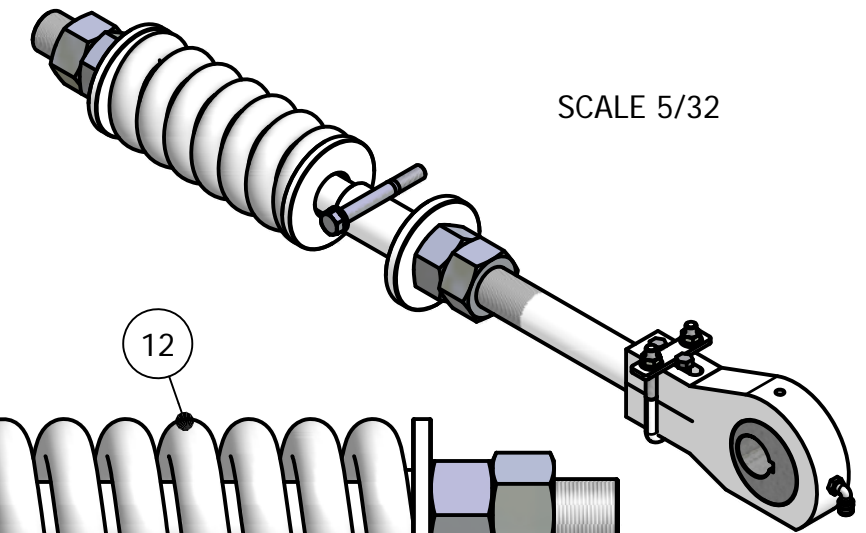


2

1

REVISION HISTORY

REV	ECN	DESCRIPTION	DATE	APPROVED
A	K010031	RELEASE PRINT	4/11/2001	dmjohnson
B	K020060	70012050 WAS F80800002	7/31/2002	dmjohnson
A	K090014	66784400 WAS 66084400 & 66444400, K200-00159 WAS K201-00272	1/22/2009	dmjohnson



B

B

A

A

16	K201-05376	1	BOLT, U, ECCENTRIC RING HD, 12"
15	K201-00174	2	PIN, SHEAR GD 5 HEX HEAD .375 X 3.25"
14	K200-00953	1	ROD, TENSION HD, 12"
13	K200-00950	1	RING, ECCENTRIC ROLL RELEASE, 12"
12	K200-00159	1	SPRING, ROLL TENSION HD, 12"
11	K200-00157	2	WASHER, ROLL TENSION SPRING HD, 12"
10	K200-00156	1	SLEEVE, POS ADJ WASHER, HD & XHD 12"
9	K200-00155	1	WASHER, POSITIVE ADJ HD & XHD 18/20"
8	K200-00136	1	CLIP, ECC RING U-BOLT, HD & XHD 12"
7	K200-00117	1	ECCENTRIC, ROLL RLSE HD & XHD 12/18"
6	70012050	1	CPLG, ELBOW 90 1/8-27M NPT X 1/4" TBG
5	70010602	1	SCW, SET SKT HD NYLON TIP 3/8-16 X .50"
4	66784400	2	NUT, HEX SERR LOCK 3/8-16
3	66445200	1	WASHER, LOCK HELICAL 1/2"
2	66079100	4	NUT, HEX 1.50-12
1	62585251	1	HHCS, 1/2-13 X 4.00"
ITEM	PART NUMBER	QTY	DESCRIPTION


ECCENTRIC SHOWN IN ROLLS CLOSED POSITION

FASTEN TO PIVOT BEARING HOUSING

8.75 b .13 [222.3 b 3.3]
COLLAPSE SPRING

NOTES:

1. DO NOT SCALE FROM DRAWING.

This drawing is the property of the A.T. Ferrell Company, Inc and must be returned immediately upon request. No part of this drawing may be reproduced, stored in a retrieval system or transmitted in any form or by any means, without prior written consent of the A.T. Ferrell Company, Inc	CAD				
	NO MANUAL CHANGES				
	TOLERANCES EXCEPT AS NOTED		DIVISION OF A. T. FERRELL COMPANY		
	DECIMAL: xxx ± .005 xx ± .030	FINISH: NONE	SCALE: 1:4	DRAWN BY: dmjohnson	APPROVED BY: DMJ
	FRACTIONAL: ± 1/32	TITLE: ROD ASSY, TENSION HD, 12"			
ANGULAR: ± 1/2°	DATE: 1/16/2009	SIZE: B	PART NUMBER: K100-00207	SHEET: 1 of 1	

2

1

K100-00207