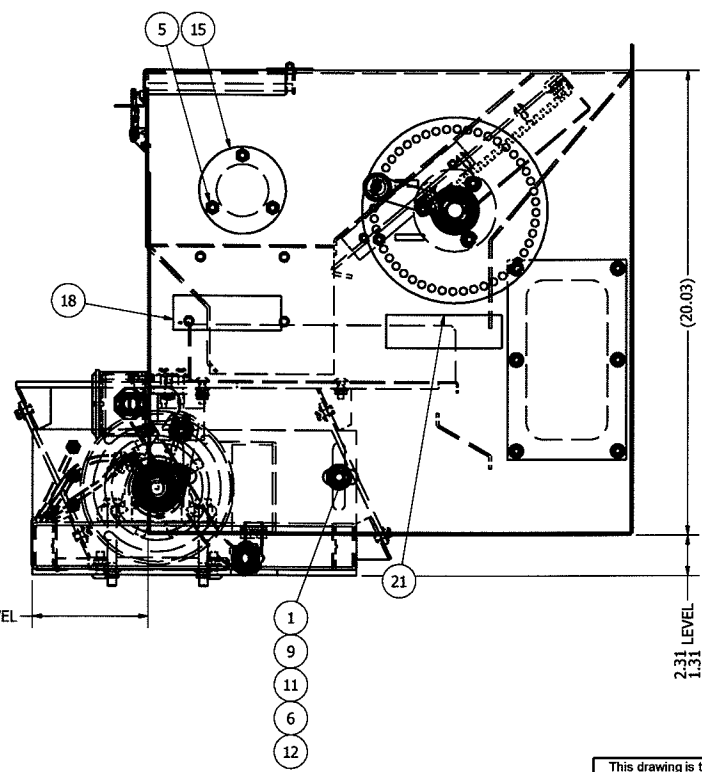
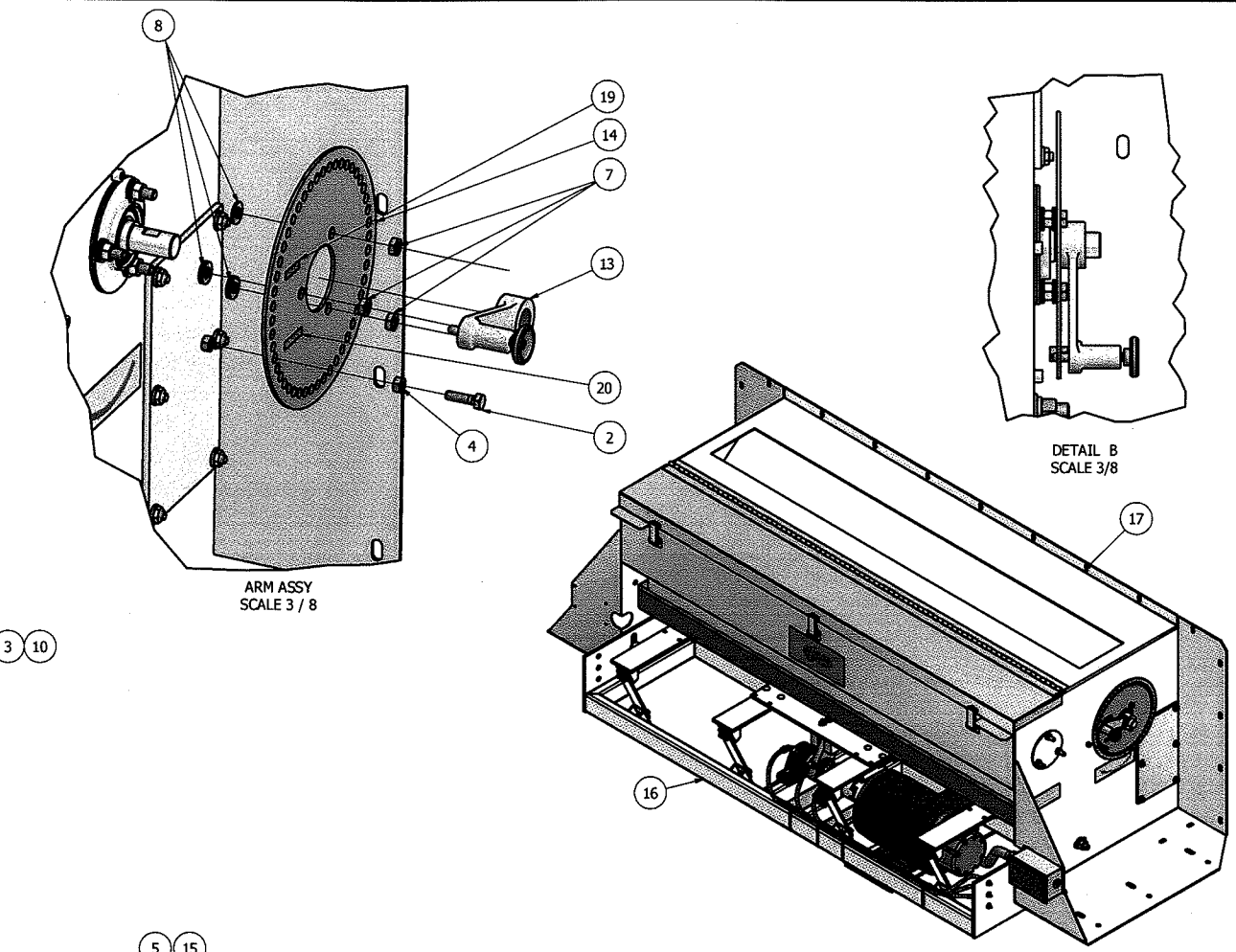
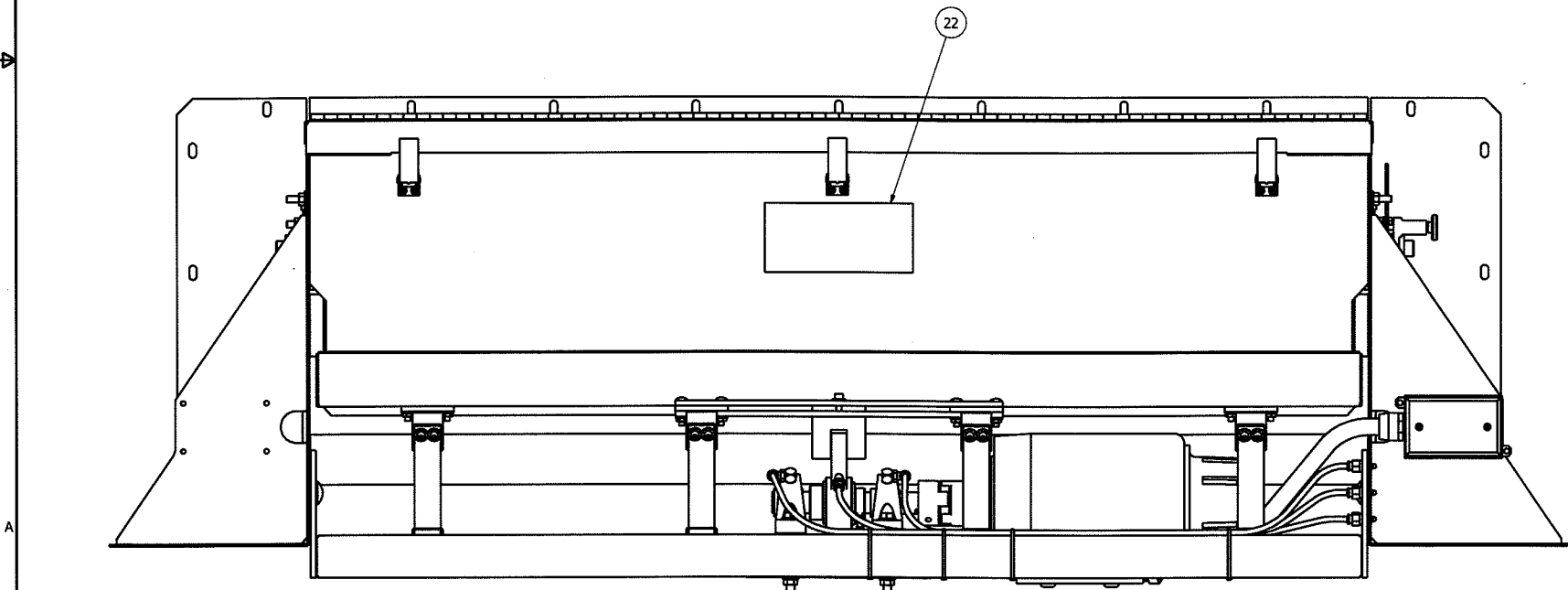
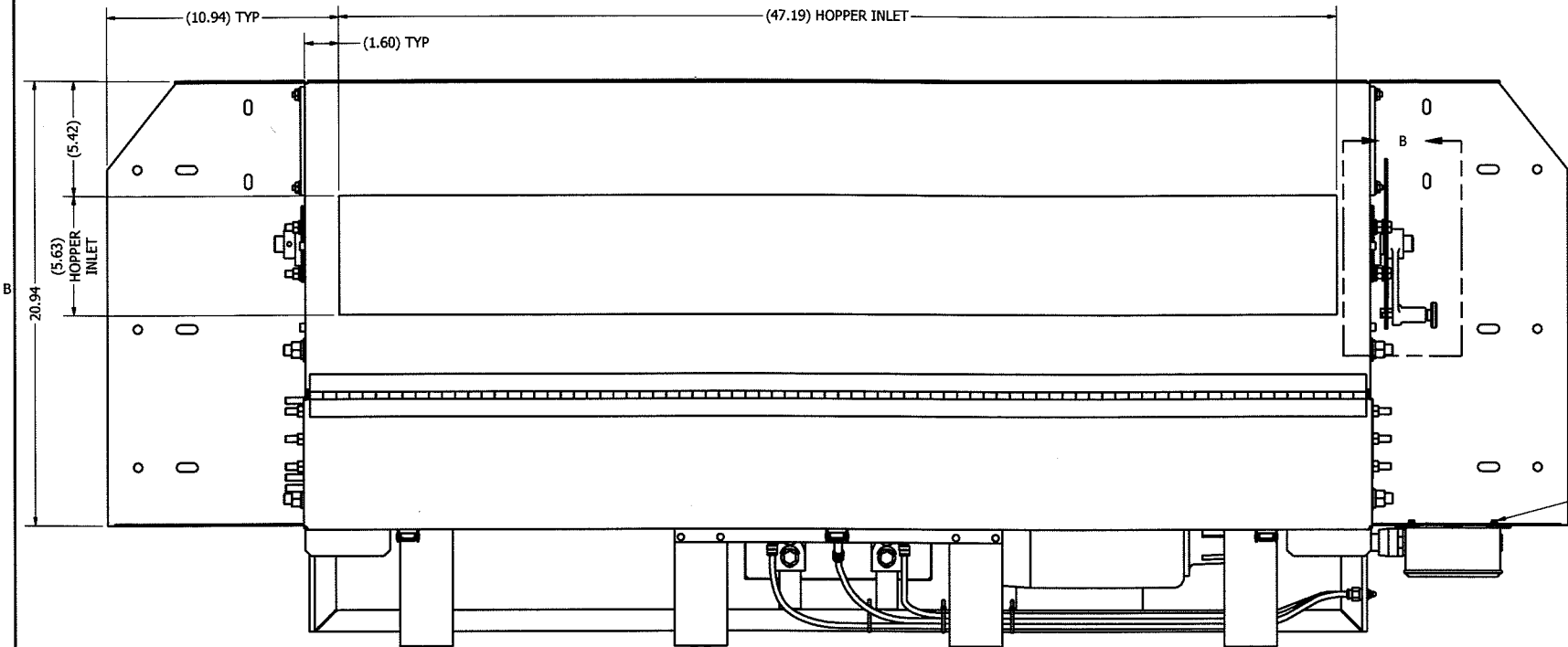


REVISION HISTORY				
REV	ECN	DESCRIPTION	DATE	APPROVED
A	F980040	RELEASED	8/7/1998	dmjohnson
B	F080148	REDRAWN IN INVENTOR, ADDED COMPONENTS FOR ARM ASSY	9/2/2008	sahamman
C	F090296	UPDATED ASSY	9/25/2009	sahamman



ITEM	PART NUMBER	QTY	DESCRIPTION
22	F80003616	1	DECAL, "CLIPPER" 2.25 X 7.00"
21	F80003613	1	DECAL, RIGHT ARROW
20	F80003603	1	DECAL, CLOSED
19	F80003602	1	DECAL, OPEN
18	F80003558	1	DECAL, LUBRICATION INFO
17	F62249040	1	HOPPER ASSY, VIB W/GATE, HI-CAP #8
16	F61009008	1	FEEDER ASSY, MECH VIB #8
15	F11308869	2	COVER, AGITATOR SHAFT, VIB HOPPER
14	F11308866	1	PLATE, INDICATOR, VIB HOPPER
13	F01000900	1	ARM ASSY, .750" BRUSH ADJUSTING
12	66625200	4	WASHER, LOCK, EXT TOOTH TYPE A 1/2"
11	66445200	4	WASHER, LOCK HELICAL 1/2"
10	66442200	4	WASHER, LOCK #8
9	66405200	4	WASHER, FLAT 1/2" TYPE A
8	66403800	6	WASHER, FLAT, 5/16" TYPE A
7	66103800	3	NUT, HEX JAM 5/16-18
6	66085200	4	NUT, HEX 1/2-13
5	66083800	6	NUT, HEX 5/16-18
4	66083300	2	NUT, HEX 1/4-20
3	65482212	4	SCW, MACH 8-32 X 1/2" HX SLT HD T/C
2	62583322	1	HHCS, 1/4-20 X 1.00"
1	60285228	4	BOLT, CARR 1/2-13 X 1.50"

Parts List			
DECIMAL:	± .005	± .008	
FRACTIONAL:	± 1/32		
ANGULAR:	± 1/2°		
FINISH:	NONE	SCALE:	1:4
DRAWN BY:	dmjohnson	APPROVED BY:	DMJ
TITLE: HOPPER ASSY, MECHANICAL VIBRATORY LOCAL, HI-CAP #8			
DATE:	5/8/2006	SIZE:	D
PART NUMBER:	F62249008	SHEET:	1 of 1

NOTES:
 1. DO NOT SCALE FROM DRAWING.
 2. RIGHT HAND ARRANGEMENT SHOWN. ASSEMBLE GATE INDICATOR COMPONENTS OPPOSITE FOR LH ARRANGEMENT. SEE SALES ORDER FOR ARRANGEMENT.

F62249008

4

A

2

4

1