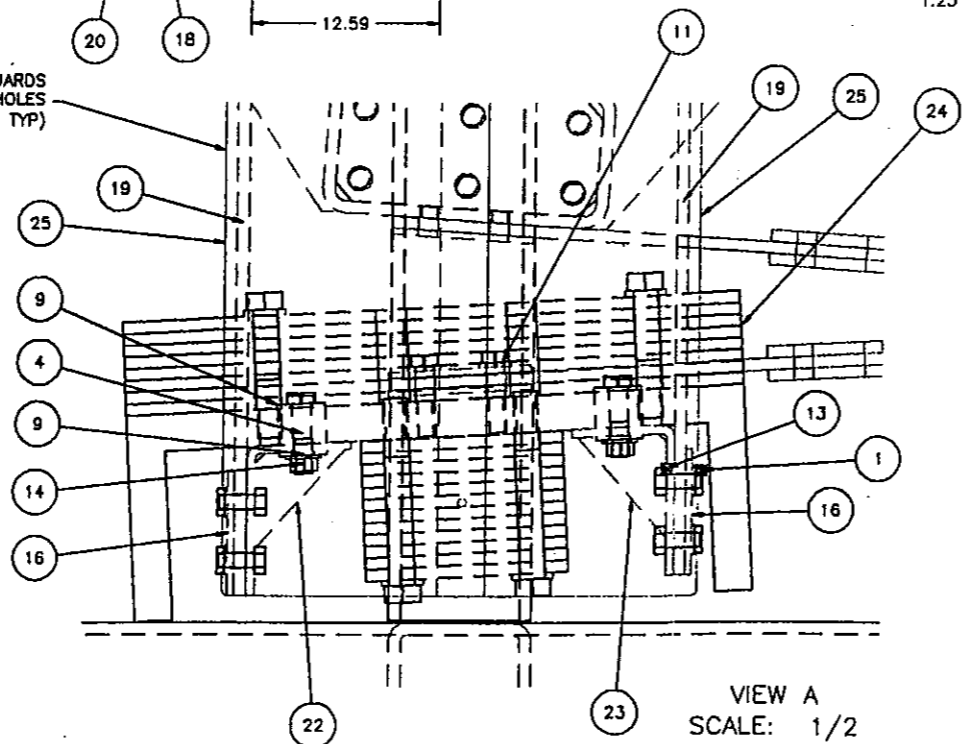


OVERLAP HANGER GUARDS
AND USE COMMON MOUNTING HOLES
FASTEN WITH ITEM 7 (4 PLCS TYP)



VIEW A
SCALE: 1/2

30	F90006614	1	79" SCREEN PULLER
29	F90006583	1	SHOE HANGER ANGLE WLDMT 83°
28	F90006582	1	SHOE HANGER ANGLE WLDMT, 97°
27	F61264000	1	FRAME WELDMENT, PRELUDE
26	F61261311	1	SHOE ASSY, PRELUDE
25	F61260044	6	GUARD, SHOE HANGER, PRELUDE
24	F61260020	1	COUNTERWEIGHT ASSY, PRELUDE
23	F61260011	1	COUNTER WGT. HANGER ANGLE 87°, WLDMT
22	F61260010	1	COUNTER WGT. HANGER ANGLE 93°, WLDMT
21	F61009040	1	VIB FEEDER HOUSING ASSEMBLY #8
20	F61000014	1	ECCENTRIC ASSY 1360/1386
19	F19400700	8	HANGER, .25X2.5X16" SCOTCH PLY
18	F11308899	1	MOUNT, ECC MTR NGE 508
17	F11303666	8	BACK PLATE, ECC ARM
16	F11303321	16	HANGER MOUNT COVER
15	F01818700	1	18" SCREEN HOOK PULLER
14	66784400	8	NUT, 3/8-16 SERR FLG LOCK
13	66783800	60	NUT, 5/16-18 SERR FLANGE LOCK
12	66445200	6	WASHER, LOCK 1/2"
11	66444400	8	WASHER, LOCK 3/8" PLT
10	66405200	12	WASHER, FLAT 1/2" PLT
9	66394400	16	WASHER, FLAT 3/8" PLT
8	66085200	6	NUT, HEX 1/2-13 PLT
7	65482617	8	SCW, HEX HD FLANGE 10-24 x .50" T/C
6	65403822	6	SCREW, 5/16-18 x 1.00" LG H.H. T/C
5	62585255	6	SCW, HEX HD CAP 1/2-13 x 5.00"
4	62584428	12	HHCS, 3/8-16 x 1.50"
3	62584426	4	HHCS 3/8-16 x 1.25"
2	62583837	10	SCREW, HEX HD. CAP 5/16-18 x 2.50"
1	62583822	60	SCW, HEX HD CAP 5/16-18 x 1.00"
ITEM	PART NUMBER	QTY	DESCRIPTION

CAD
NO MANUAL
CHANGES
TOLERANCES
(EXCEPT AS
NOTED)
DECIMALS
& 1/32
ANGULAR
& 1/2°

CLIPPER
SHEET METAL TECHNOLOGIES

A DIVISION OF BLANTON AGR CORP. SINCE 1988 BLANTON, TEXAS, U.S.A.

DATE: 12/3/99 SIZE: D DRAWING NO.: F61260000 SHEET: 1 of 1

NOTES:
1: DO NOT SCALE FROM DRAWING.
2: RIGHT HAND MACHINE SHOWN

PROJECT	11/2/99	RELIEF
DATE		
DESCRIPTION		