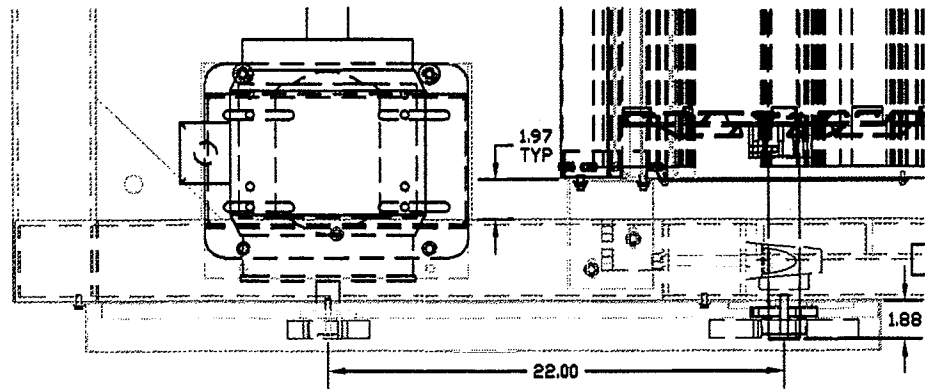
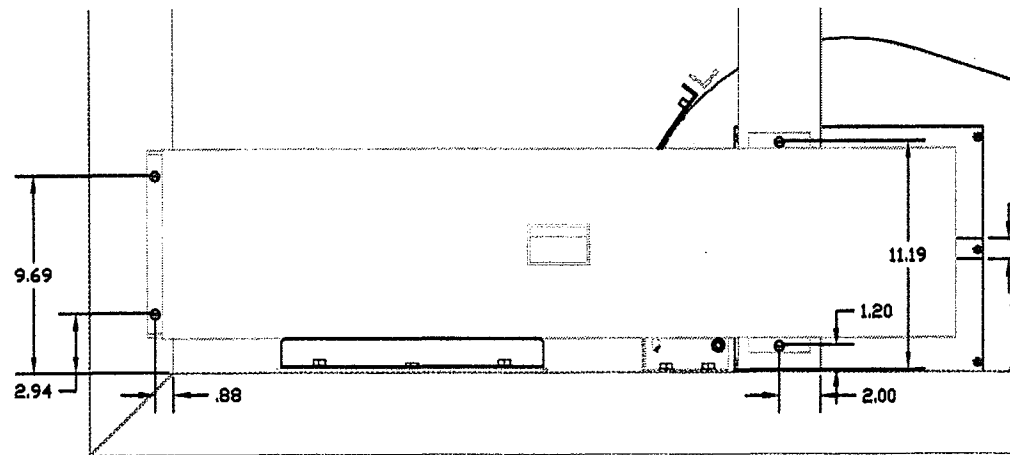


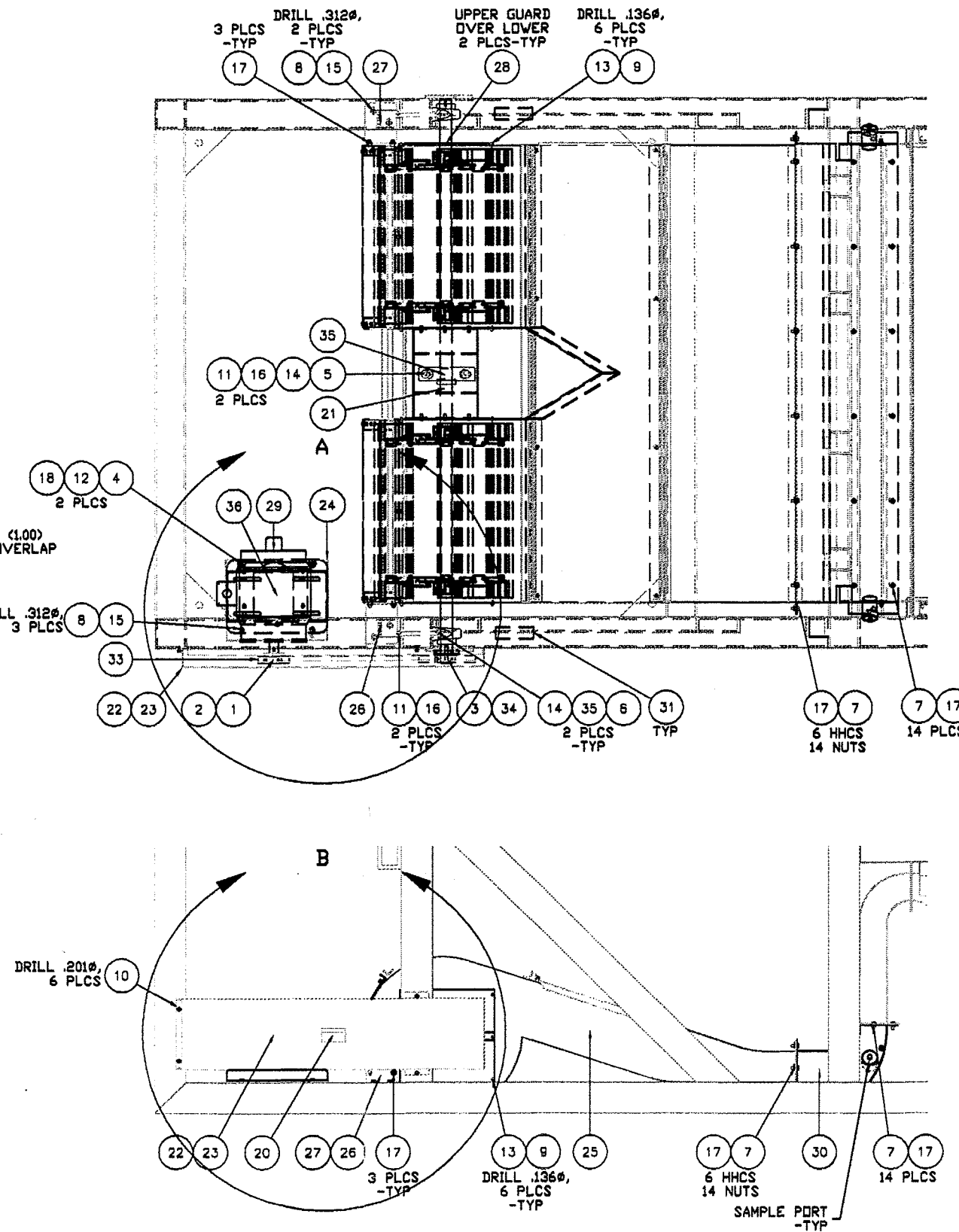
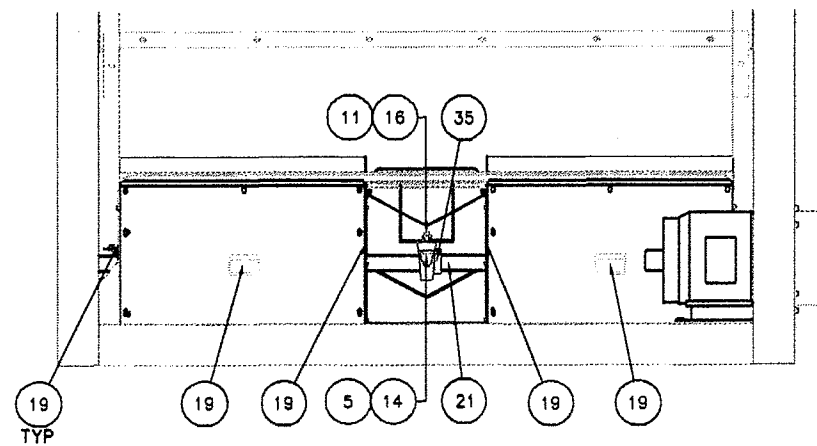
This drawing is the property of Bluffton Agri/Industrial Corp. and must be returned immediately upon request. No part of this drawing may be reproduced, stored in a retrieval system or transmitted in any form or by any means, without the prior written consent of Bluffton Agri/Industrial Corp.



VIEW A



VIEW B



36	F96200182	1	BASE, MTR ADJ 182T-DBL SCW
35	F92401080	3	BEARING, PB 1.50" VAK
34	F91812068	1	SHEAVE, 1B3.6 SDS
33	F91182080	1	BELT, B-V B-60
32	F82700050	2	RIBBON
31	F80003558	2	DECAL-LUBRICATION INFO
30	F61008030	1	AIR LEG W/BTM FAN WLDMT 1360/1386/486
29	F6100323X	1	MTR PKG, BTM FAN-SEE SALES ORDER
28	F61003098	8	GUARD, INLET, BTM FAN CNQST
27	F61003084	1	FRAME MNT, LH, BTM DUAL FAN, CNQST
26	F61003063	1	FRAME MNT, RH, BTM DUAL FAN, CNQST
25	F61003055	1	BTM DUAL FAN WLDMT, CNQST
24	F61003027	1	MTR PLT, 182/184, BTM FAN, CNQST
23	F61003026	1	GUARD, BTM FAN, CNQST
22	F61003025	1	BACK PLT, GUARD, BTM FAN, CNQST
21	F61003018	1	SHAFT, 1.500" # BTM FAN, CONQUEST
20	80003643	1	DECAL, WARNING BELT & CHAIN
19	80003642	6	DECAL, WARNING FAN BLADE
18	88784400	2	NUT, SERR LOCK 3/8-18
17	88783800	34	NUT, HEX LOCK SERR FLANGE, 5/16-18
16	88445200	6	WASHER, LOCK 1/2"
15	88444400	7	WASHER, LOCK 3/8" PLT
14	88405200	6	WASHER, FLAT 1/2" PLT
13	88402200	24	WASHER, FLAT #8
12	88394400	2	WASHER, FLAT 3/8" PLT
11	88085200	6	NUT, HEX 1/2-13 PLT
10	85483312	6	SCW, MACH 1/4-20X1/2" HX SLT HD T/C
9	85482212	24	SCW, MACH HX SLT HD T/C 8-32X1/2"
8	85404422	7	SCW, MACH 3/8-16 X 1.00" HX HD T/C
7	82613817	22	SCW, HX WSH HD, 5/16-18 x 3/4"
6	82585257	4	HHCS 1/2-13 X 5.50"
5	82585230	2	HHCS, 1/2-13 X 1.75"
4	82584417	2	HHCS, 3/8-16 X 3/4"
3	44010518	1	BSHG, QD SDS 1.500"
2	44010312	1	BSHG, QD SH 1.125"
1	43110079	1	SHEAVE, 1B3.6 SH
ITEM	PART NUMBER	QTY	DESCRIPTION

NOTES:  
 1: DO NOT SCALE FROM DRAWING.  
 2: USE F61003051: BTM FAN ASSY, 586 FOR CONQUEST 586.  
 3: RIGHT HAND DRIVE SHOWN, LEFT HAND DRIVE SYMMETRICALLY OPPOSITE, SEE SALES ORDER FOR ARRANGEMENT.  
 4: PROGRAM INVERTOR 1000 MAXIMUM RPM AT FAN SHAFT.  
 5: REMOVE PLUG FROM LOWER AIR CHAMBER. GLUE TOP OF RIBBON ABOVE HOLE, ALLOWING RIBBON TO SWING FREELY.

CAD  
 NO MANUAL CHANGES  
 TOLERANCES (EXCEPT AS NOTED)  
 DECIMAL: FRACTIONAL: ANGULAR:  
 FRESH: NONE  
 SCALE: 1/8  
 DRAWN BY: DJ  
 APPROVED BY: X.X.X.  
 DRAWING TITLE: BOTTOM DUAL FAN ASSY, 1360/1386/486  
 DATE: 8/30/00  
 SIZE: D  
 DRAWING NO.: F61003050  
 SHEET: 1 of 1