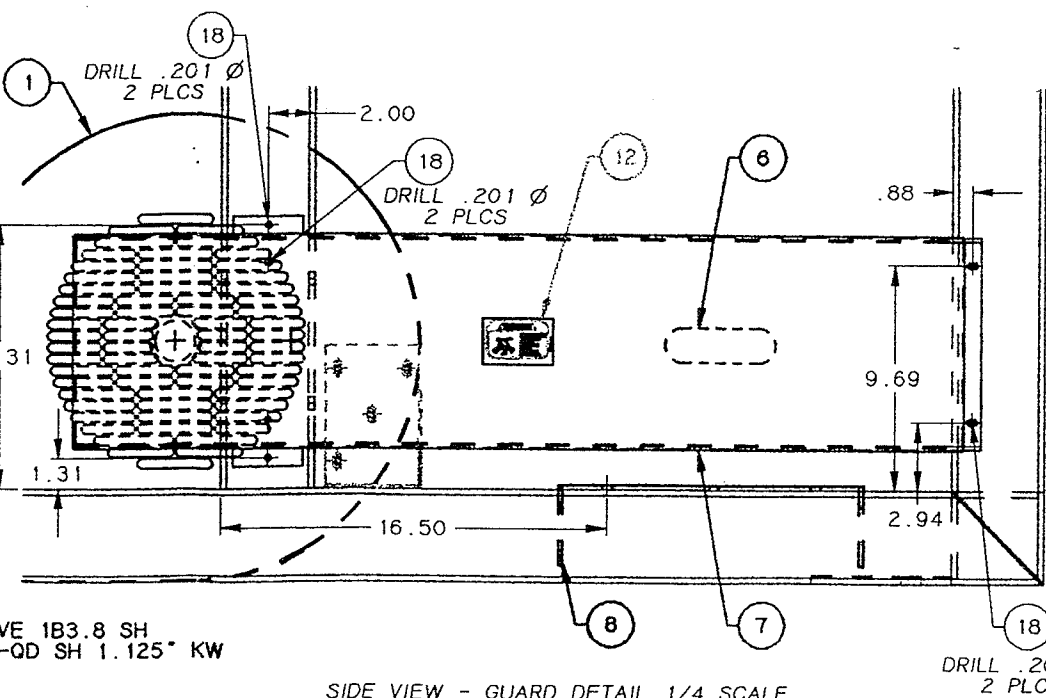
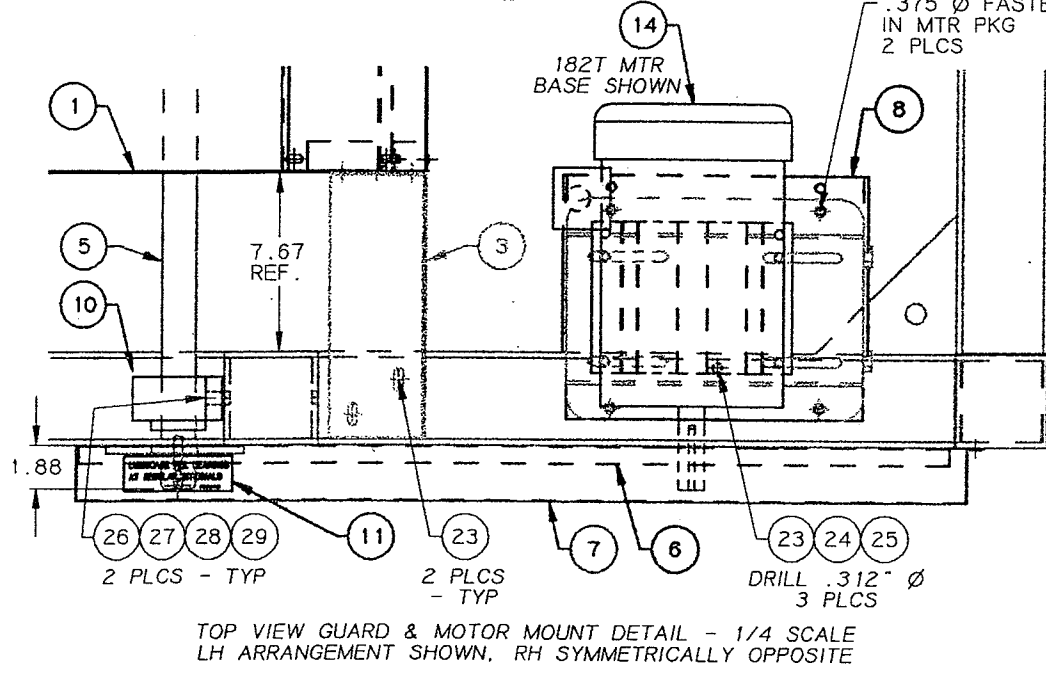
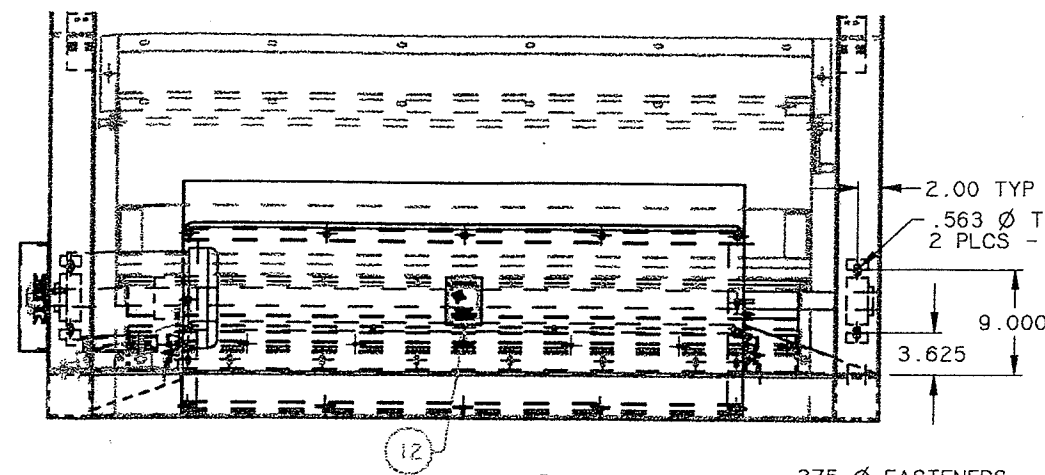
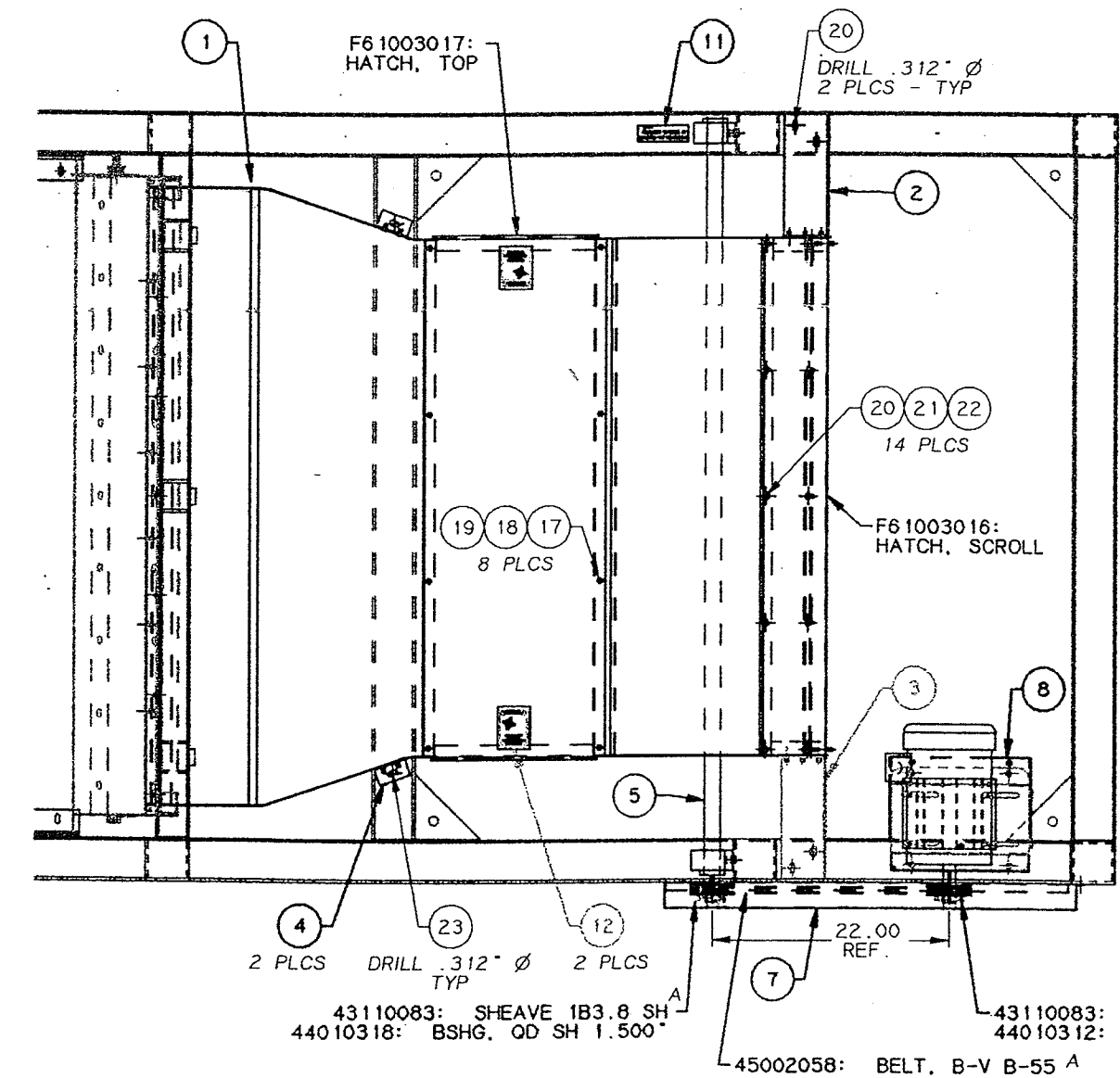
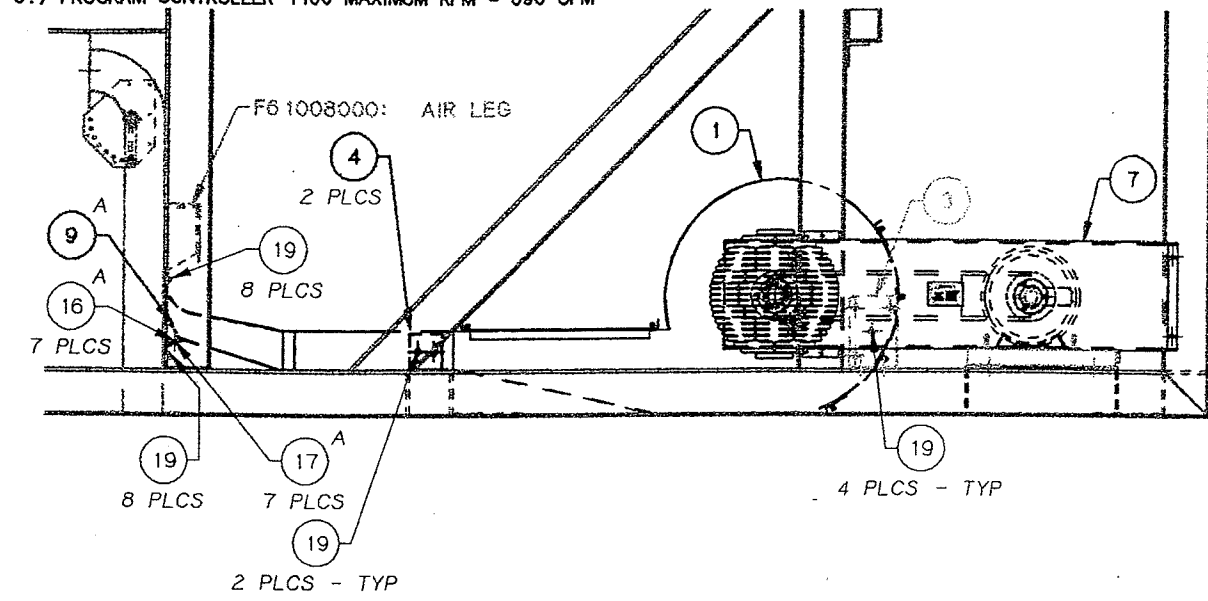


NOTES:

- 1.) DO NOT SCALE DRAWING
- 2.) INSTALL AIR DEFLECTOR (ITEM 9) BEFORE FASTENING BOTTOM FAN WLDMT TO AIR LEG
- 3.) PROGRAM CONTROLLER 1160 MAXIMUM RPM = 890 CFM



REV	DESCRIPTION	DATE	BY	CHK
-	F970046	7/17/97	RELEASE	DJ
A	F980016	5/7/98	DRIVEN SHEAVE, BSHG & BELT WERE 43110155, 44010518 & F91162060 ADDED F61003029 & 1/4\"	DJ

This drawing is the property of Bluffton Agri/Industrial Corp. and must be returned immediately upon request. No part of this drawing may be reproduced, stored in a retrieval system or transmitted in any form or by any means, without the prior written consent of Bluffton Agri/Industrial Corp.

BOM - F6 1003020: FAN ASSY, BTM FAN CENTER INSIDE SCROLL

PART NO.	QTY	DESCRIPTION
F84053805	8	3/8-16 X 5/8\"
65482212	60	8-32X1/2 HX SLT HD T/C MCH SCW
61283328	10	1/4-20 X 1.25\"
61283317	10	1/4-20 X 3/4\"
F6 1003042	2	COLLAR, IS FAN SPIDER
F6 1003041	2	BRNG, IS FAN SPIDER
F6 1003024	2	BRNG, OS FAN SPIDER
F6 1003023	5	AIRFOIL
F6 1003022	2	SPIDER, LH
F6 1003021	2	SPIDER, RH

REMOVE PLUG FROM DISCHARGE SIDE OF LOWER AIR CHAMBER. GLUE TOP OF RIBBON ABOVE HOLE, ALLOWING RIBBON TO SWING FREELY.

29	66445200	4	WASHER, LOCK 1/2 PLTD
28	66405200	4	WASHER, FLAT 1/2 PLTD
27	66085200	4	1/2-13 HEX NUT PLTD
26	60145260	4	1/2-13 X 6.00 HHCS
25	66444400	3	WASHER, LOCK 3/8
24	66394400	2	WASHER, FLAT 3/8
23	65404422	9	3/8-16 X 1.00 HX HD T/C MACH SCW
22	66443800	20	WASHER, LOCK 5/16 PLTD
21	66403800	20	WASHER, FLAT 5/16 PLTD 192/#
20	66083800	20	5/16-18 HEX NUT PLTD
19	66783800	28	5/16-18 HEX SERRATED LOCKNUT
18	65483312	6	1/4-20 X .500 HX SLT HD T/C SCW
17	66783300	7	NUT, HEX HD SERR 1/4-20
16	62583312	7	HHCS, 1/4-20 X 1/2\"
15	F82700050	2\"	RIBBON
14	F6 100303X	1	MTR PKG, BTM FAN(SEE SALES ORDER)
13	80003643	1	DECAL, WARNING BELT & CHAIN
12	80003642	3	DECAL, WARNING FAN BLADE
11	F80003558	2	DECAL - LUBRICATION INFO
10	F92401080	2	BRNG PB 1.5 IN VAK
9	F6 1003029	1	AIR DEFLECTOR, BTM FAN 1360/1386
8	F6 1003027	1	MTR MOUNT PLATE, BTM FAN
7	F6 1003026	1	GUARD, BTM FAN
6	F6 1003025	1	GUARD BACKPLATE, BTM FAN
5	F6 1003018	1	SHAFT, BTM FAN
4	F6 1003015	2	FRAME MNT REAR, BTM FAN
3	F6 1003014	1	FRAME MNT FNT, LH, BTM FAN
2	F6 1003013	1	FRAME MNT FNT, RH, BTM FAN
1	F6 1003005	1	BOTTOM FAN WLDMT 1360/1386

CAD NO MANUAL CHANGES TOLERANCES SHOWN AS NOTED

Bluffton Agri/Industrial Corp. logo

REVISIONS: NONE DATE: 7/17/97 BY: DJ

SCALE: 1/8

TITLE: BOTTOM FAN INSTALL. 1360/1386

DATE: 7/17/97

REV: D

PART NO.: F6 1003000

PAGE: 1 OF 1