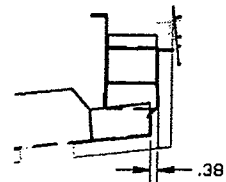
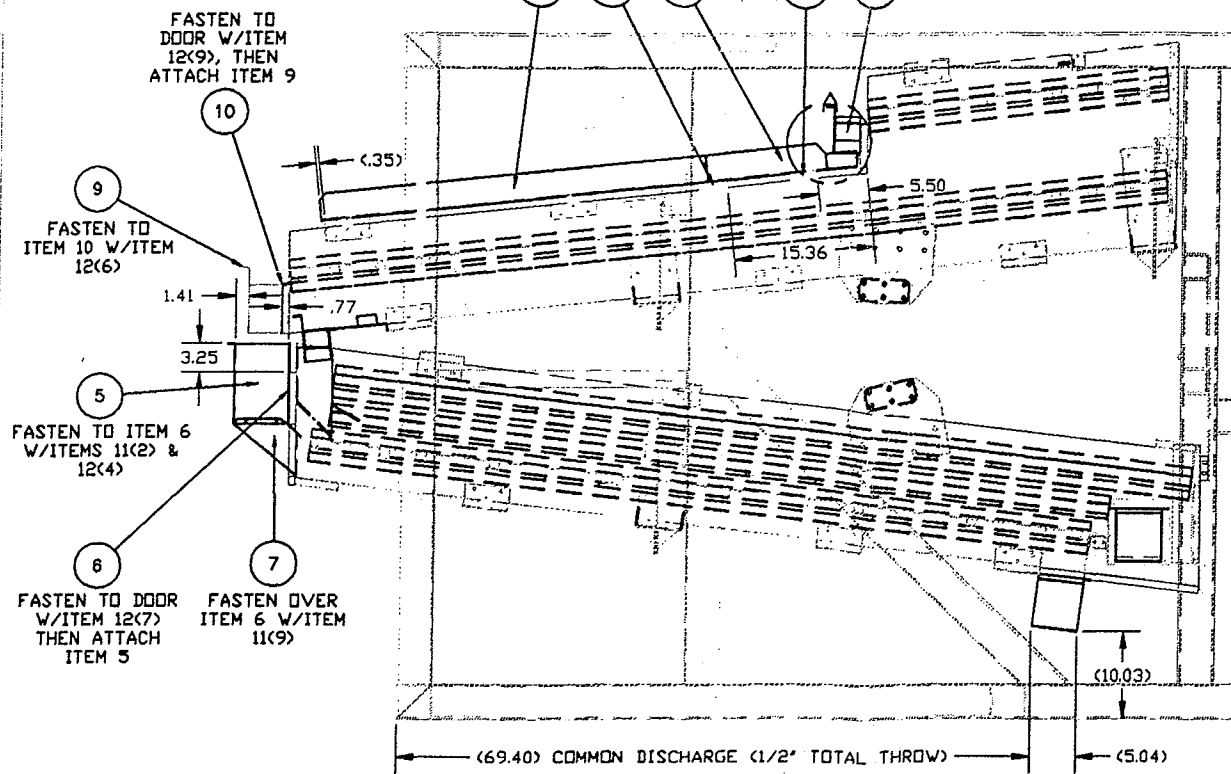
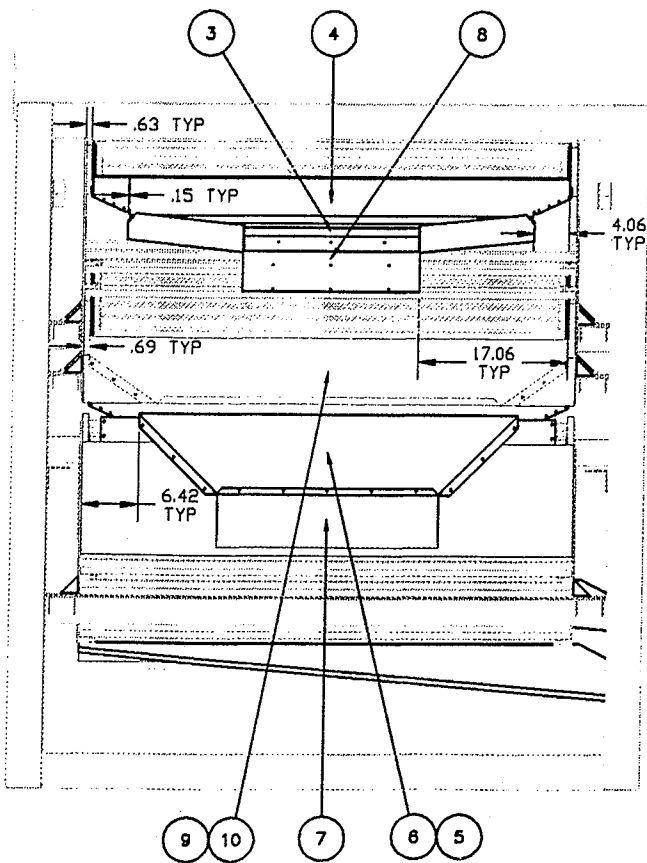
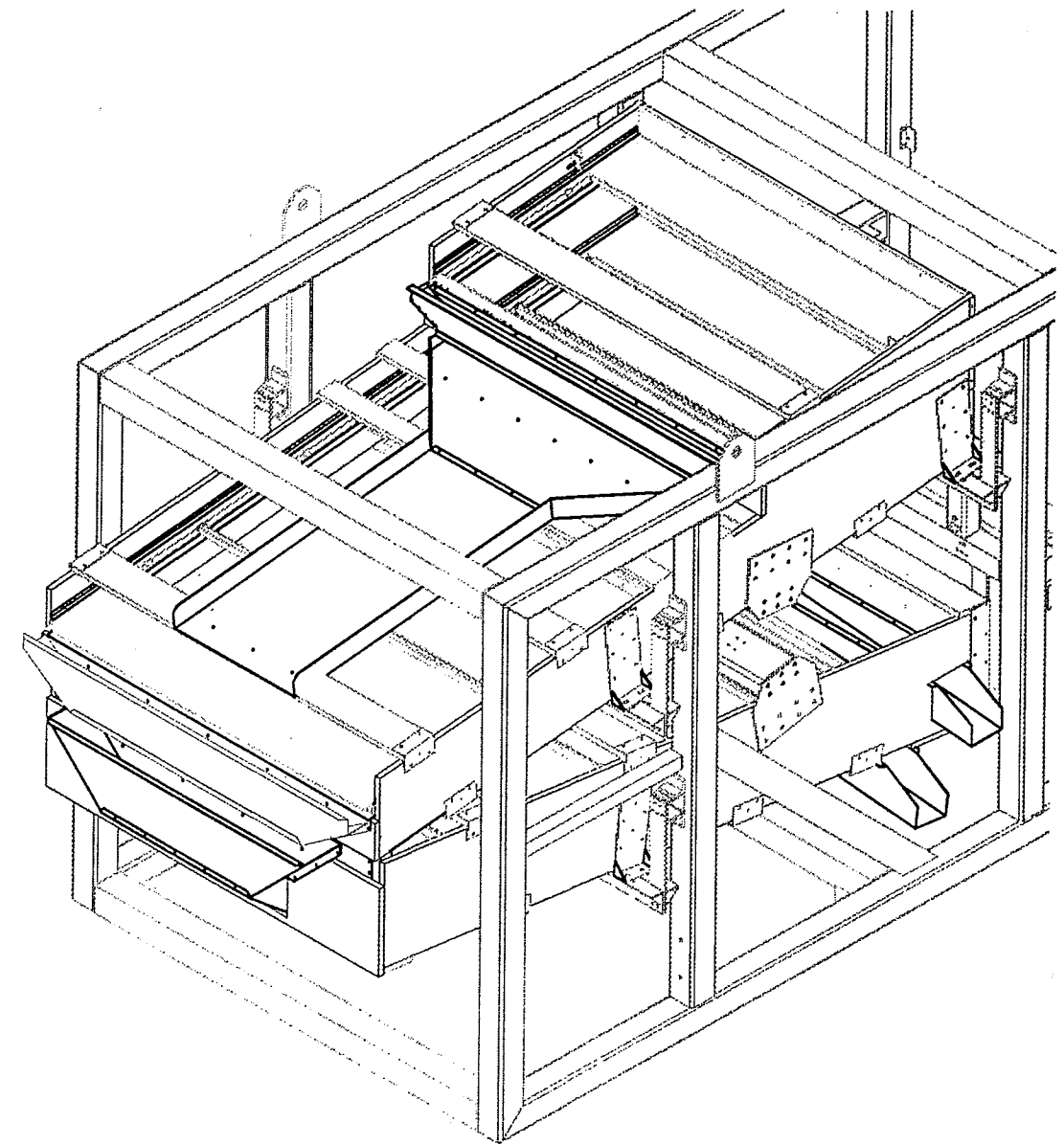
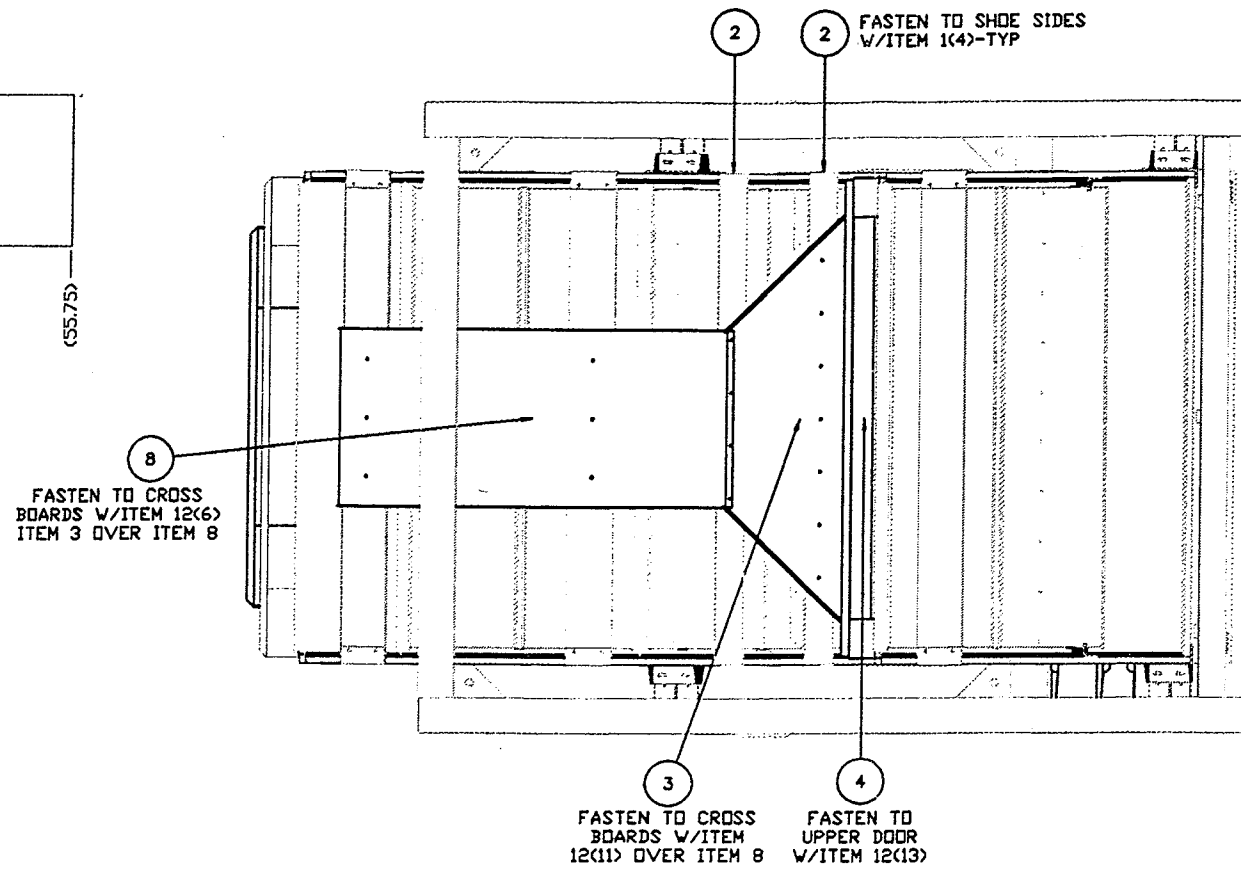


BOTTOM SHOE, DOOR CUTOUT DETAIL  
1/8 SCALE



VIEW A



This drawing is the property of Bluffton Agri/Industrial Corp. and must be returned immediately upon request. No part of this drawing may be reproduced, stored in a retrieval system or transmitted in any form or by any means, without the prior written consent of Bluffton Agri/Industrial Corp.

Item	PART NUMBER	Qty	DESCRIPTION
12	F83453402	58	SCW, #8 X 3/4" PAN HD SMS
11	F83200011	11	RIVET-POP SDS64 .188X.125-.250"
10	F81001043	1	BACK, CATCHALL, TOP SHOE, COMM DISCH PKG 1386
9	F81001042	1	CVR, CATCHALL, TOP SHOE, COMM DISCH PKG 1386
8	F61001041	1	SLIDE, FNT, COMM DISCH PKG 1386
7	F81001020	1	SPOUT, CATCHALL, BTM SHOE, COMM DISCH PKG 1386
6	F81001019	1	BACK, CATCHALL, BTM SHOE, COMM DISCH PKG 1386
5	F81001018	1	CVR, CATCHALL, BTM SHOE, COMM DISCH PKG 1386
4	F81001015	1	CATCHALL ASSY, COMM DISCH PKG 1360
3	F81001011	1	SLIDE, TRANS, COMM DISCH PKG 1360
2	F03108904	2	BOARD, TOP 3" 2248D
1	70010521	8	SCW, DECK #8 X 2.00" PHP HD PLT

CAD NO MANUAL CHANGES  
TOLERANCES (UNLESS NOTED)

SCALE: 3/32  
DRAWN BY: DJ  
APPROVED BY: X.X.X.

DRAWING TITLE: COMMON DISCHARGE PACKAGE, 1386

DATE: 1/13/00  
SIZE: D  
DRAWING NO.: F81001040  
SHEET: 1 of 1

NOTES:  
1: DO NOT SCALE FROM DRAWING.  
2: PACKAGE IS A LINE ITEM ON THE SALES ORDER.