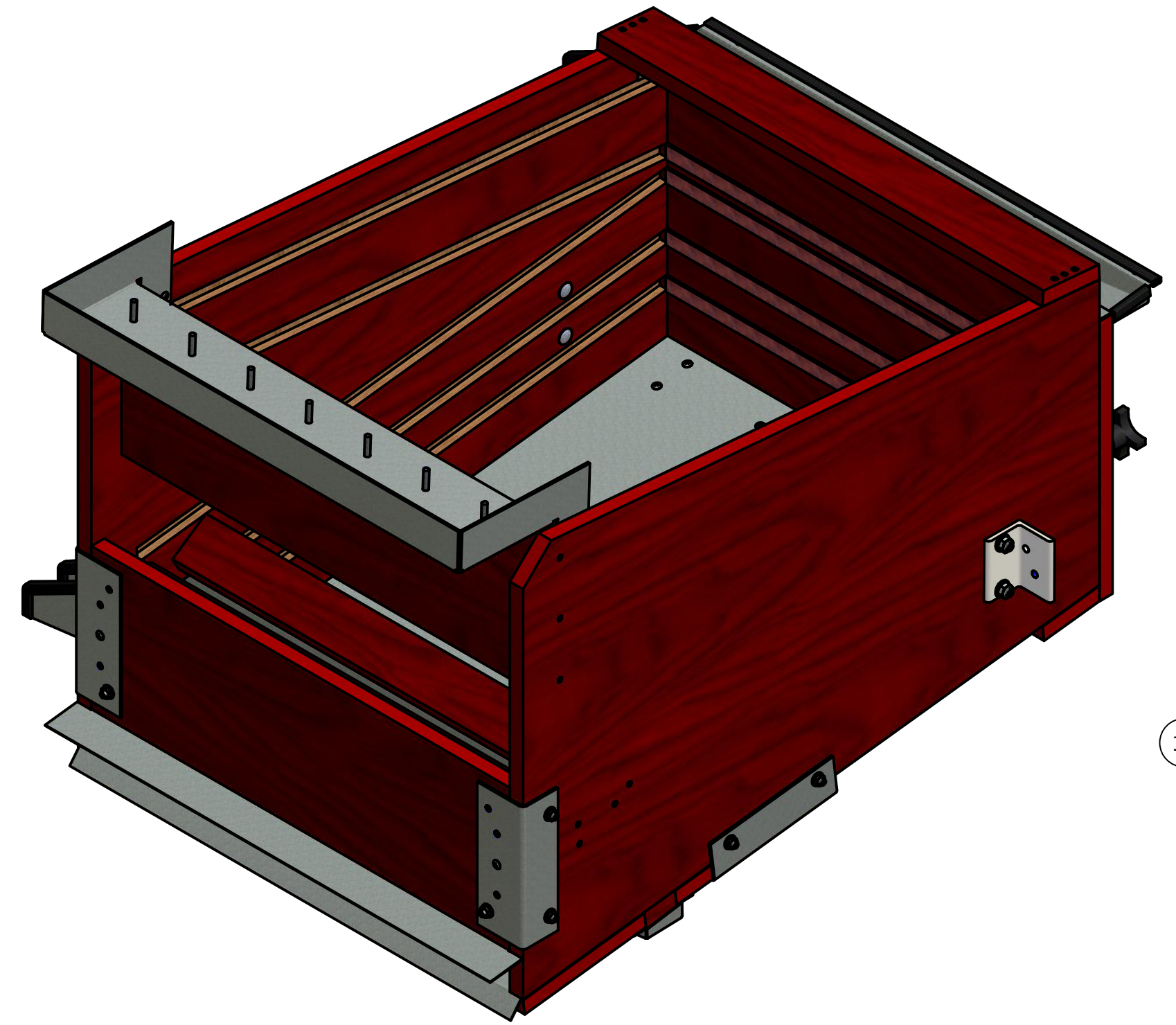
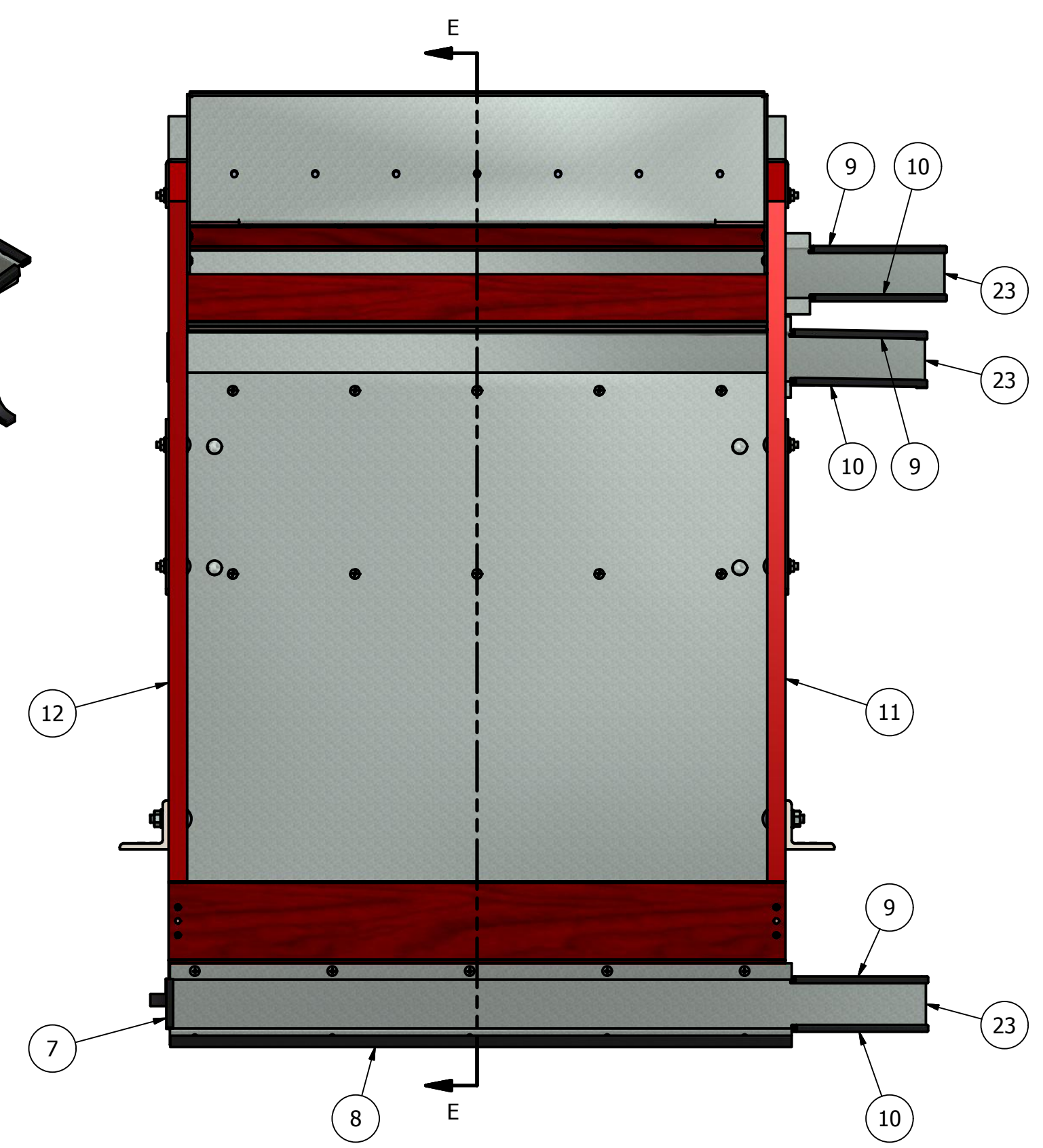


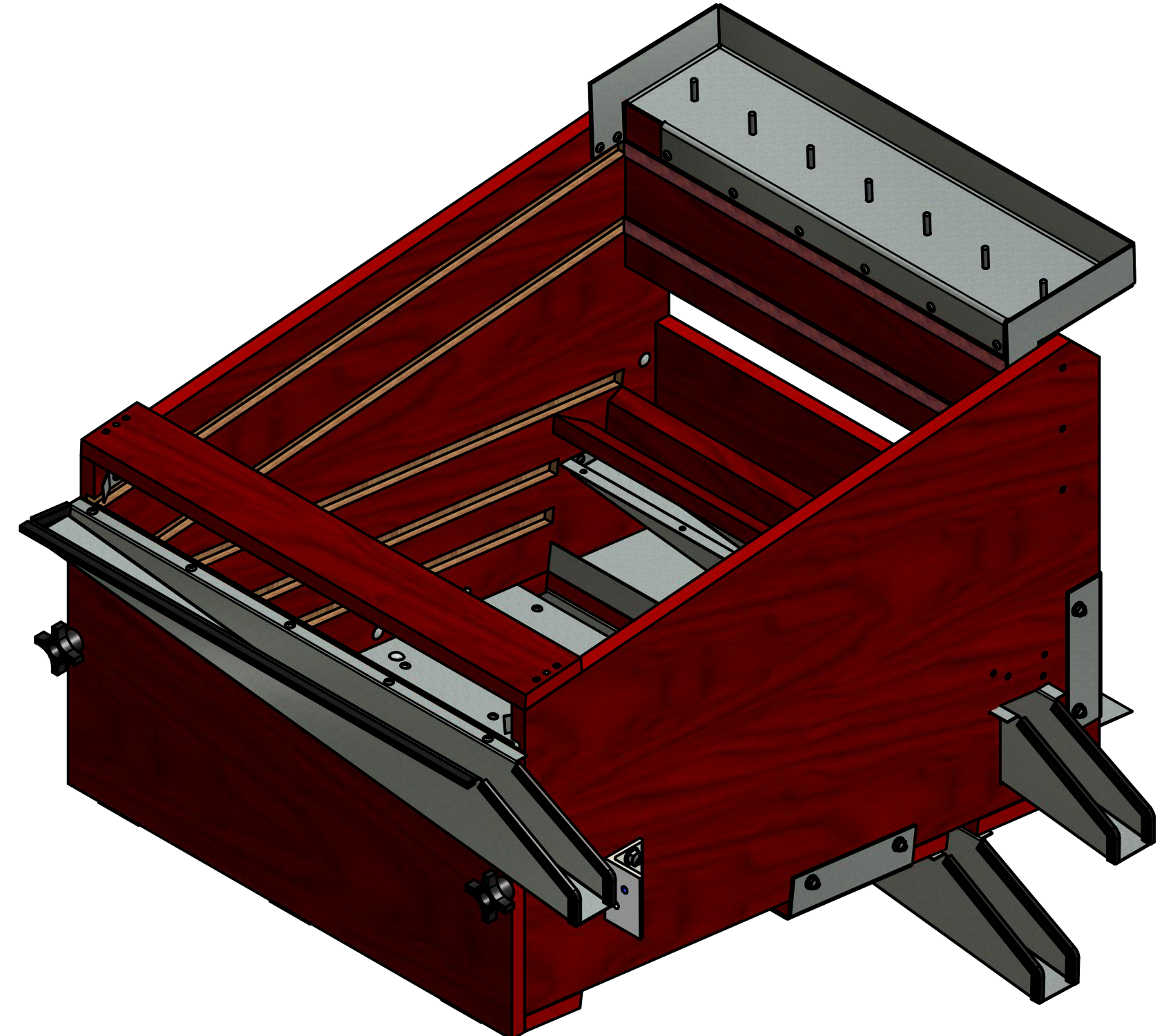
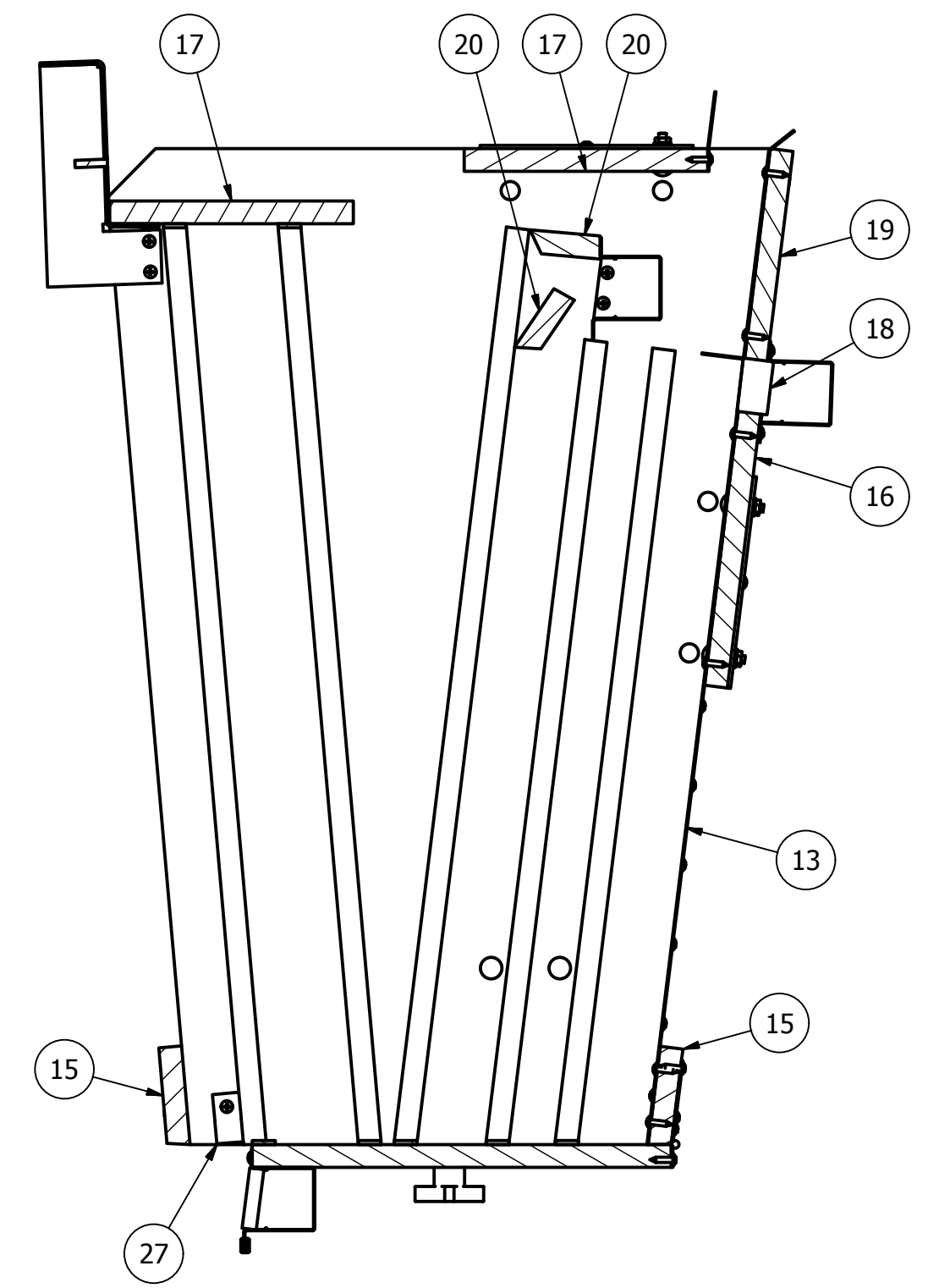
REVISION HISTORY				
REV	ECN	DESCRIPTION	DATE	APPROVED
A	F950194	RELEASE	1/17/1996	sault
B	F960052	ADD F60001028 & -1029, F83453402 WAS 54X, 80006005 WAS 66363300	8/26/1996	dmjohnson
C	F960060	CHANGES AS INDICATED, SEE ECN FOR DETAILS	9/18/1996	dmjohnson
D	F960066	ADD F87600001	10/10/1996	dmjohnson
E	F970091	.03 WAS .63", F83453402 WAS 83X	12/4/1997	dmjohnson
F	F110172	REDRAWN INVENTOR, ADD SHEETS 4-6, ADD 'RH' TO TITLE	8/29/2011	dmjohnson



LEFT REAR ISOMETRIC

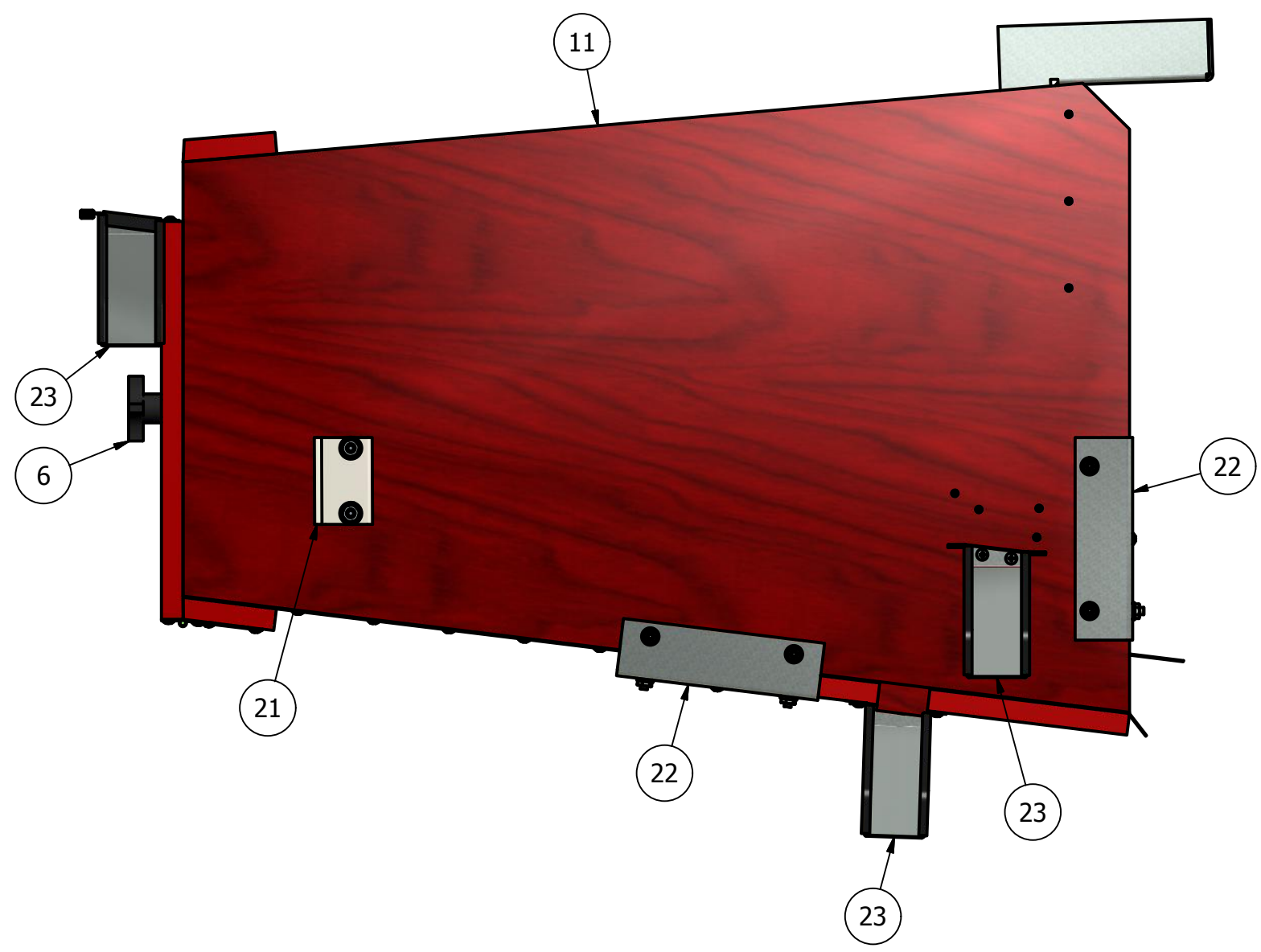
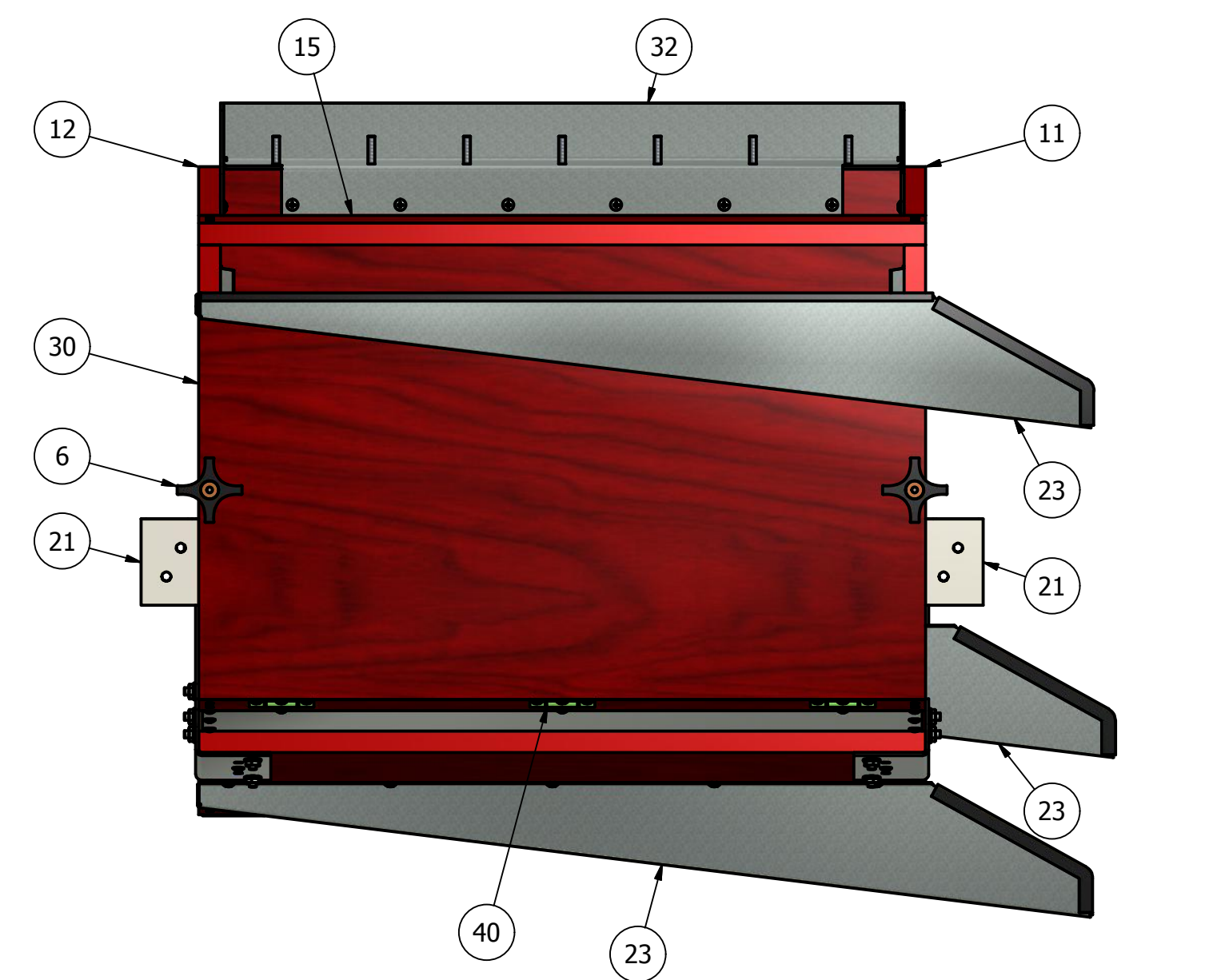
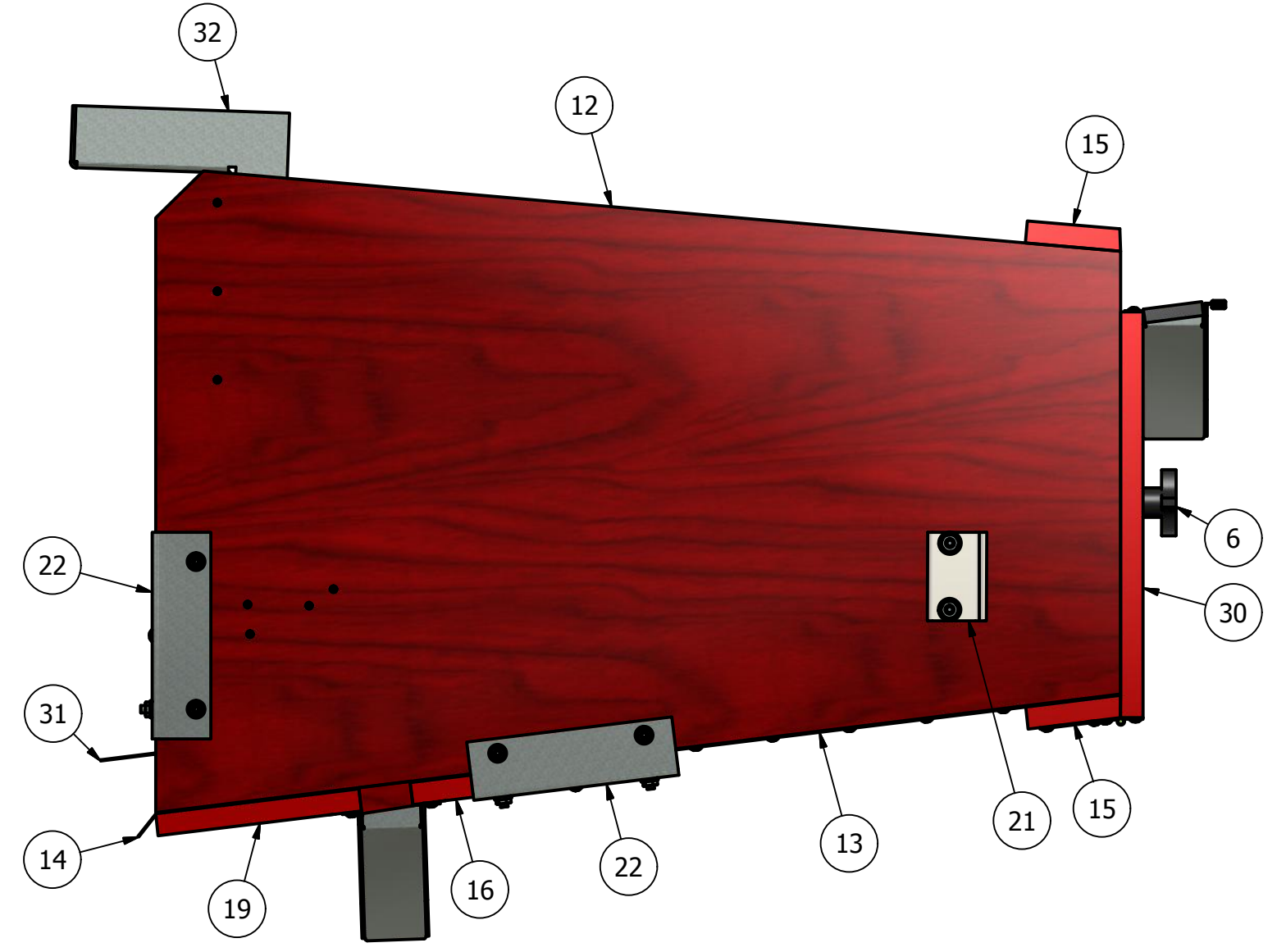


SECTION E-E




RIGHT FRONT ISOMETRIC

41	SALES ORDER	3	SCREEN ASSY, M2B/ECLIPSE 324
40	F98200006	3	HINGE, TEE 3.00"
39	F87600001	13.818 ft	FELT, STRIP 1/8 X 3/4 X 23.69"
38	F83453402	94	SMS, PAN X HD, #8 X 3/4"
37	F82400002	8	NAIL, 14 GA X 3/4" THRD, 7/32" HD T304SS
36	F82071401	2	STUD, DOWEL 1/4-20 X 2.50"
35	F80026102	120	BALL, LOW TEMP WHITE, 1.38"
34	F60001032	1	BLANK ASSY, OPEN W/LIP, SHOE, ECLIPSE 324
33	F60001030	3	BLANK ASSY, CLOSED W/LIP, SHOE, ECLIPSE 324
32	F60001029	1	PAN, FEEDER, SHOE, ECLIPSE 324
31	F60001028	1	AIR DAM, SHOE, ECLIPSE 324
30	F60001024	1	DOOR, SHOE, ECLIPSE 324
29	F60001023	1	BLANK, OPEN, SHOE, ECLIPSE 324
28	F60001022	2	BLANK, CLOSED, SHOE, ECLIPSE 324
27	F60001021	2	DEFLECTOR, GRAIN, SHOE, ECLIPSE 324
26	F60001017	3	BALL TRAY WLDMT, ECLIPSE 324
25	F60001016	1	BLANK, SPLITTER, SHOE, ECLIPSE 324
24	F60001015	1	BLANK, OPEN, SHOE, ECLIPSE 324
23	F60001014	3	SPOUT, RH SHOE, ECLIPSE 324
22	F60001013	4	BRACKET, REAR HANGER, SHOE, ECLIPSE 324
21	F60001012	2	BRACKET, FRONT HANGER, SHOE, ECLIPSE 324
20	F60001010	2	CROSS BOARD, DEFLECTOR, SHOE, ECLIPSE 324
19	F60001009	1	CROSS BOARD, BACK, SHOE, ECLIPSE 324
18	F60001008	1	FILLER BOARD, SPOUT, ECLIPSE 324
17	F60001007	2	CROSS BOARD, INTERNAL, SHOE, ECLIPSE 324
16	F60001006	1	CROSS BOARD, BOTTOM, SHOE, ECLIPSE 324
15	F60001005	2	CROSS BOARD, FRONT, SHOE, ECLIPSE 324
14	F60001004	1	METAL, BOTTOM BACK, SHOE, ECLIPSE 324
13	F60001003	1	METAL, BOTTOM, SHOE, ECLIPSE 324
12	F60001002	1	SIDE, LH, RH SHOE, ECLIPSE 324
11	F60001001	1	SIDE, RH, RH SHOE, ECLIPSE 324
10	80015508	1.867 ft	TRIM, BLACK VINYL DUAL LIP #6 X 7.47"
9	80015508	1.860 ft	TRIM, BLACK VINYL DUAL LIP #6 X 7.44"
8	80015508	1.076 ft	TRIM, BLACK VINYL DUAL LIP #6 X 25.44"
7	80015508	0.167 ft	TRIM, BLACK VINYL DUAL LIP #6 X 2.00"
6	80006005	2	KNOB, 4 LOBE FEMALE OPEN 1/4-20, DK 137
5	70010521	41	SCW, DECK FLT HD #6 X 2.00"
4	66784400	4	NUT, HEX SERR LOCK 3/8-16
3	66783300	14	NUT, HEX SERR LOCK 1/4-20
2	60283828	4	BOLT, CARR 5/16-18 X 1.50"
1	60283326	14	BOLT, CARR 1/4-20 X 1.25"
ITEM	PART NUMBER	QTY	DESCRIPTION



NOTES:
 1. DO NOT SCALE FROM DRAWING.
 2. ONE PIECE REQUIRED PER F60000000: CLEANER ASSY, RH, ECLIPSE 324.



CLIPPER
SEPARATION TECHNOLOGIES
SINCE 1869

DIVISION OF
 A.T. FERRELL COMPANY
 1440 S ADAMS ST
 BLUFFTON, INDIANA
 46714 - USA
 PH: 260-824-3400
 FAX: 260-824-5463

This drawing is the property of the A. T. Ferrell Company, Inc and must be returned immediately upon request. No part of this drawing may be reproduced, stored in a retrieval system or transmitted in any form or by any means, without prior written consent of the A. T. Ferrell Company, Inc.

TOLERANCES EXCEPT AS NOTED:	TITLE:	
DECIMAL: ± .030	FRACTIONAL: ± 1/32	SHOE ASSY, RH, ECLIPSE 324
XXX ± .005	ANGULAR: ± 1/2°	FINISH: NONE
XXXX ± .001		
CAD	NO MANUAL CHANGES	SCALE: 0.19:1
	SHEET: 6 OF 7	SIZE: D
	PART NUMBER: F60001000	REV: F