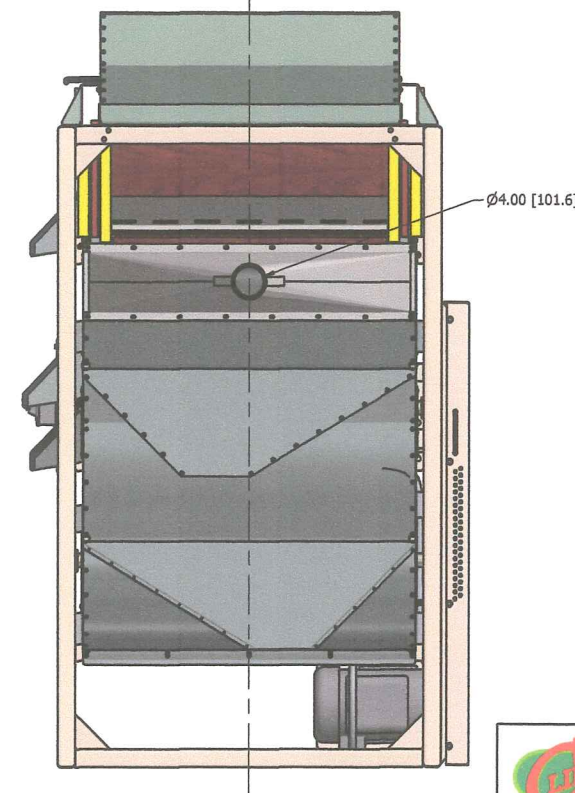
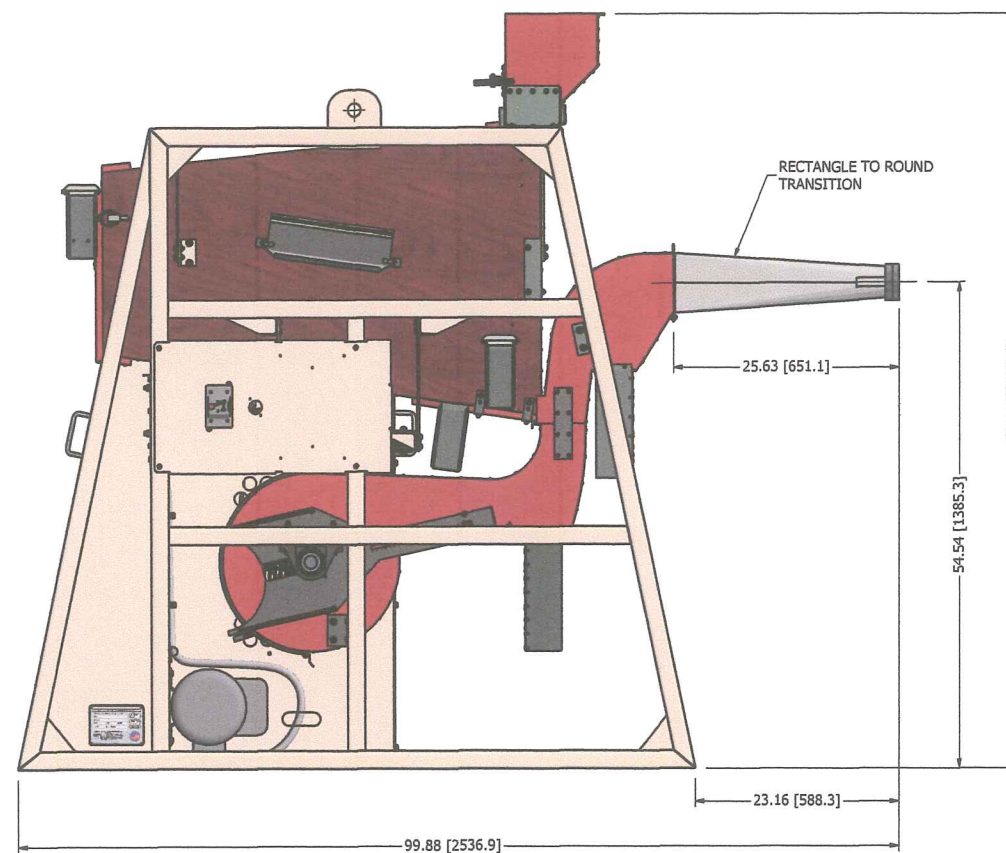
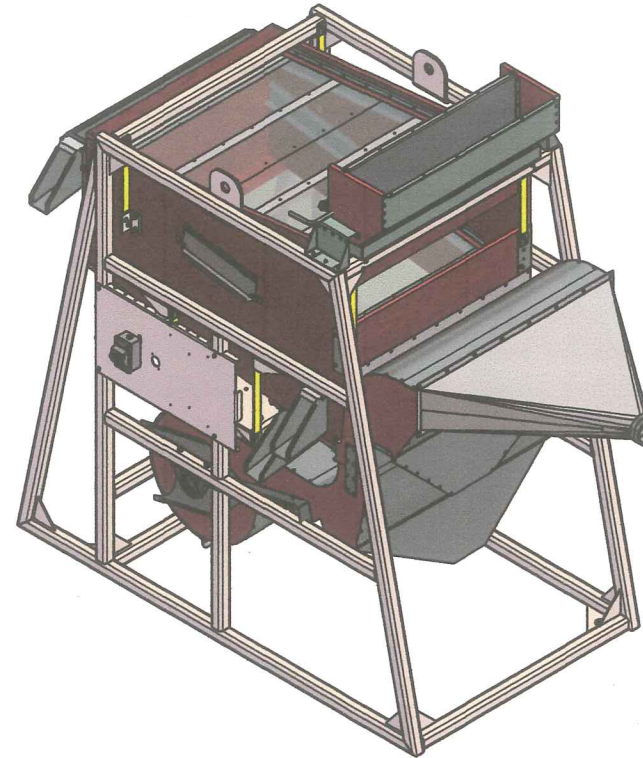
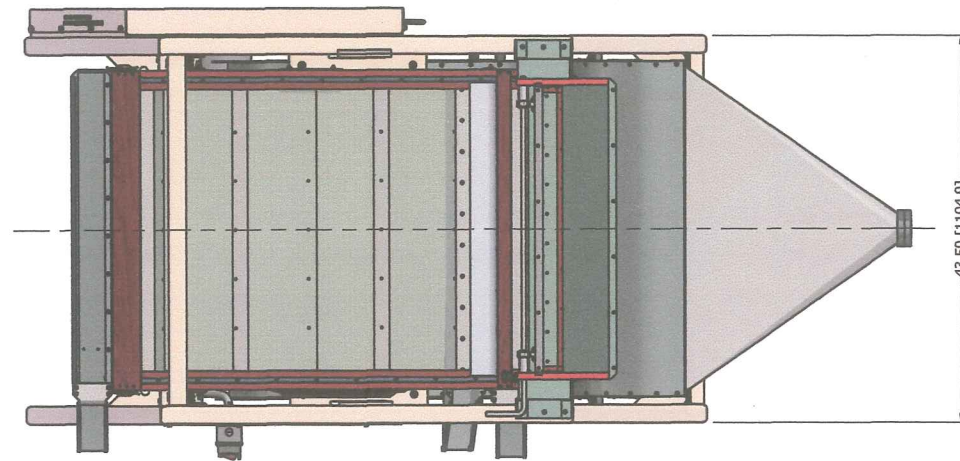



REV	ECN	DESCRIPTION	DATE	APPROVED
-	F010001	RELEASE	2/13/01	DJ
A	F030068	RELEASE PRINT 2 OF 2, INSTALL W/ COTTONWOOD HOPPER	8/21/03	DJ
B	F180059	REDRAWN IN INVENTOR, SHEETS 4, 5, 6, & 7 ADDED	7/31/2018	sameching



- NOTES:
- DO NOT SCALE FROM DRAWING.
 - SHIPPING WEIGHT: 1874 LBS (850 kg) WITH SHIPPING SKID.
 - FAN AIR = 2950 CFM (83.5 CMM).
 - ALTERNATIVE UNITS [X.XX] IN MILLIMETERS.
 - .50" [12.70 MM] SHOE TOTAL THROW.
 - SEE PRINT 1 OF 7 FOR ECLIPSE 334 STANDARD INSTALLATION.
 - SEE PRINT 2 OF 7 FOR ECLIPSE 334 WITH COTTONSEED INLET HOPPER.
 - SEE PRINT 3 OF 7 FOR ECLIPSE 334 WITH 44" CYCLONE.
 - SEE PRINT 4 OF 7 FOR ECLIPSE 334 WITH 10" TRANSITION.
 - SEE PRINT 6 OF 7 FOR ECLIPSE 334 WITH 24" STAND.
 - SEE PRINT 7 OF 7 FOR ECLIPSE 334 WITH 9 BUSHEL SURGE HOPPER.
 - AIR DUCTING BETWEEN CLEANER, BLOWER & CYCLONE TO BE SUPPLIED AS REQUIRED.

4" TRANSITION

		DIVISION OF A.T.FERRELL COMPANY 1440 S ADAMS ST BLUFFTON, INDIANA 46714 - USA PH: 260-824-3400 FAX: 260-824-5463		This drawing is the property of the A.T. Ferrell Company, Inc and must be returned immediately upon request. No part of this drawing may be reproduced, stored in a retrieval system or transmitted in any form or by any means, without prior written consent of the A.T. Ferrell Company, Inc.	
TOLERANCES EXCEPT AS NOTED DECIMAL: .XX ± .020 .XXX ± .005 .XXXX ± .001		FRACTIONAL: ± 1/32 ANGULAR: ± 1/2°		TITLE: INSTALLATION, RH & CTR DISCHARGE, ECLIPSE 334 FINISH: NONE	
CAD NO MANUAL CHANGES		SCALE: 1:8	SHEET: 5 OF 7	SIZE: D	PART NUMBER: F6000100-I REV: B
		DRAWN BY: sameching	DRAWN DATE: 7/18/2018	APPROVED BY: DJ	

F6000100

A

4

B

B

4

A

2

4

1