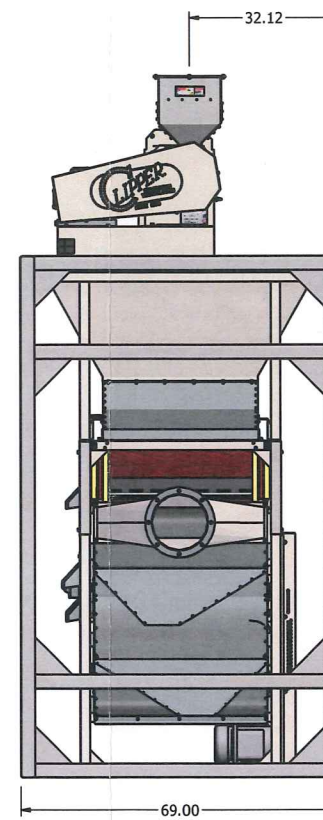
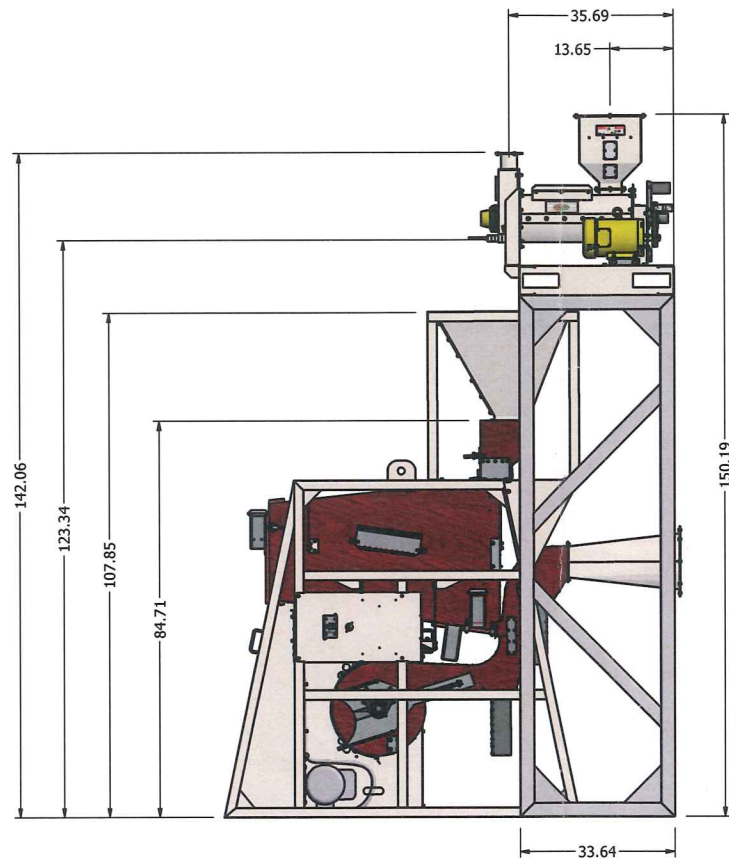
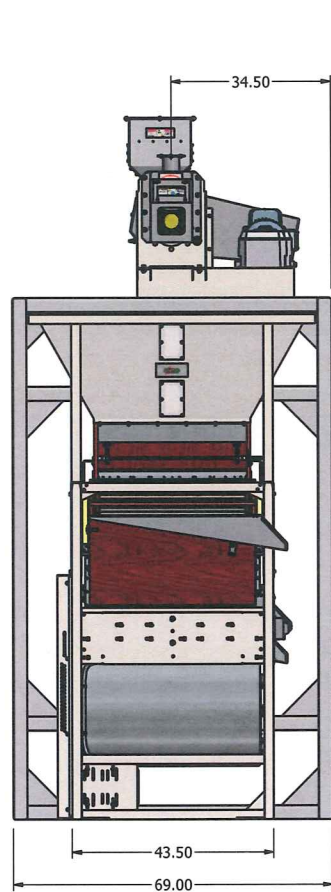



REVISION HISTORY				
REV	ECN	DESCRIPTION	DATE	APPROVED
A	F160182	RELEASED	2/3/2017	DCCLARK



	DIVISION OF A.T.FERRELL COMPANY 1440 S ADAMS ST BLUFFTON, INDIANA 46714 - USA PH: 260-824-3400 FAX: 260-824-5463		This drawing is the property of the A.T. Ferrell Company, Inc and must be returned immediately upon request. No part of this drawing may be reproduced, stored in a retrieval system or transmitted in any form or by any means, without prior written consent of the A.T. Ferrell Company, Inc.	
	TOLERANCES EXCEPT AS NOTED: DECIMAL: XX ± .030 XXX ± .005 XXXX ± .001		TITLE: MINI DEBEARDER CLEANER PLANT	
DRAWN BY: dcclark		DRAWN DATE: 2/3/2017		APPROVED BY:
CAD NO MANUAL CHANGES		SCALE: 2 OF 2	SHEET: D	PART NUMBER: F20502220
				REV: A