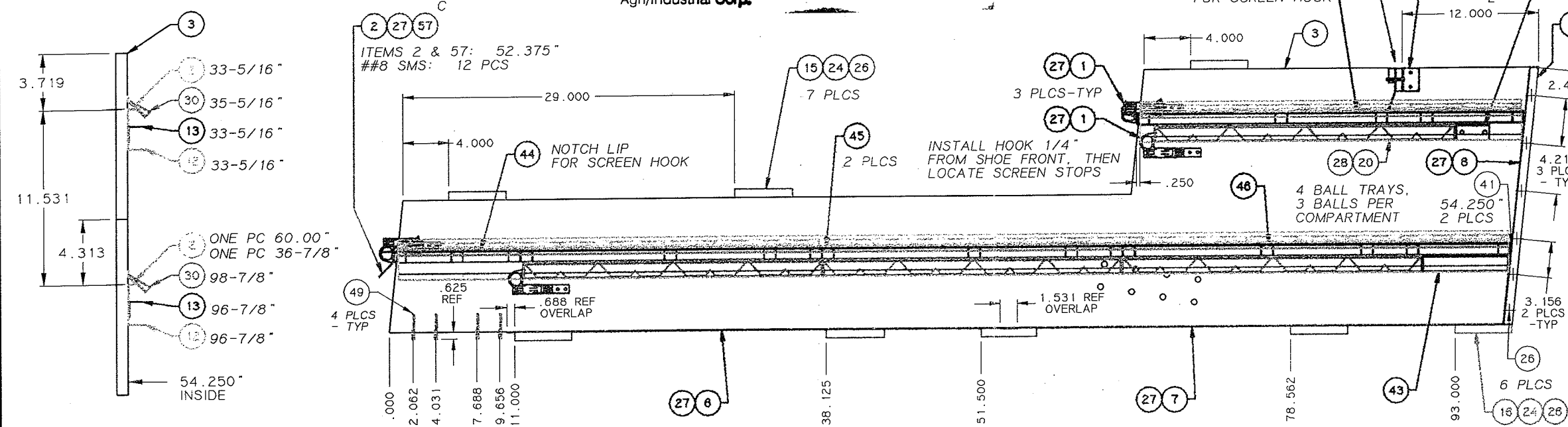
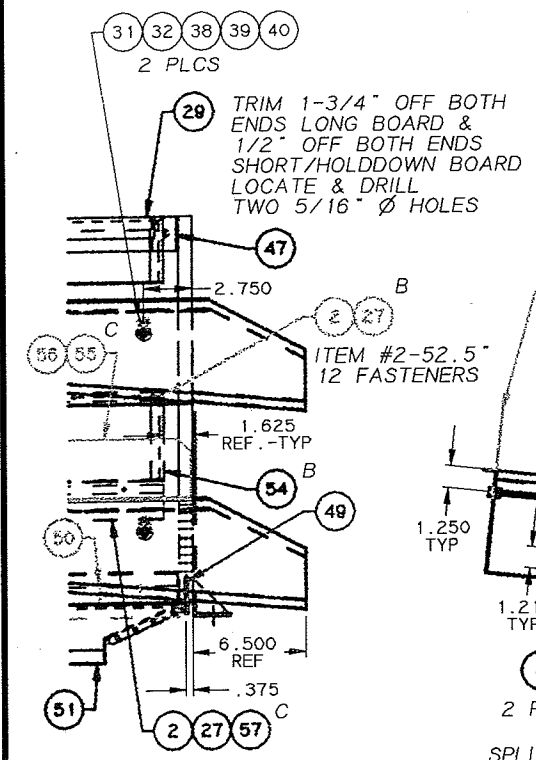


NOTES:
1.) DO NOT SCALE DRAWING

This drawing is the property of Bluffton Agri/Industrial Corp. and must be returned immediately upon request. No part of this drawing may be reproduced, stored in a retrieval system or transmitted in any form or by any means, without the prior written consent of Bluffton Agri/Industrial Corp.



FRONT VIEW
LEFT SHOE SIDE
VIEW 1/4 SCALE
ATTACH COMPONENTS TO EACH SHOE SIDE
WITH 71. #8 X 3/4" PAN HD SMS (ITEM 27)



FRONT VIEW
RIGHT SHOE SIDE
RIGHT HAND DISCHARGE SHOWN
LEFT HAND SYMMETRICALLY OPPOSITE

SPLITTER (ITEM 50) & CATCHALL (ITEM 51) SHOWN FOR A SPLIT-SIFT BOTTOM SHOE. SWITCH LOCATIONS OF THE SPLITTER & CATCHALL FOR A SCALP-SIFT BOTTOM SHOE.

DO NOT COUNTERSINK
2 PLCS - TYP

ITEM	PART NO.	QTY	DESCRIPTION
57	F91152006	4.365'	BELTING, 2-1/2"
56	F83200011	11	RIVET-POP SDS64 .188X.125-.250
55	F61001214	1	DEFLECTOR, SPOUT 1360/1386
54	F97500003	1	APRON-CANVAS #8, 16 X 52.5"
53	F90005474	1	BALL TRAY STOP WLDMT RH
52	F90005473	1	BALL TRAY STOP WLDMT LH
51	F61001305	1	CATCHALL ASSY, 1386
50	F61001304	1	SPLITTER 1386
49	F82071401	8	1/4-20 X 2-1/2" STUD
48	68403300	2	1/4 FLAT WASHER
47	F08810100	2	ANGLE - CATCHALL
46	SEE SALES ORDER	2	34" SCREEN
45	SEE SALES ORDER	2	26" SCREEN
44	F92053018	1	BLANK, SCREEN 11 X 54 W/LIP
43	F11308856	1	BLANK, BALL TRAY 7.50"
42	80014002	1.813'	TAPE, POLYURETHANE .375 X .500"
41	F87600001	9.042'	FELT STRIP 1/8 X 34"
40	68403800	2	5/16 FLAT WASHER
39	66383800	2	5/16-18 T-NUT
38	60143860	2	BOLT, TAP 5/16-18 X 6.00" HX HD
37	66445200	28	1/2" LOCK WASHER
36	68085200	28	1/2-13 HEX NUT
35	62585226	12	1/2-13 X 1-1/4" HX HD BOLT
34	66443300	34	1/4 LOCK WASHER PLT
33	68083300	34	1/4-20 HEX NUT
32	66443800	48	5/16 LOCK WASHER PLT
31	66083800	48	5/16 - 18 HEX NUT
30	F91152004	22.365'	BLTG 1/16X1-1/2" 2-PLY RUBBER
29	F03401700	1	CANVAS APRON ASSY #8 SEED
28	F90008270	4	BALL TRAY WLDMT 26.25X54.00"
27	F83453402	367	SCREW-PAN HD #8X3/4" SMS PLT
26	F83440301	45	SCREW-FLT HD WOOD #10X1.5" PLT
25	F83440135	16	#10 X 1-3/4" RD HD SMS
24	F82400002	20	NAIL, 3/4" 14 GA CEMENT
23	80016019	16	BOLT-ELEV 1/2-13 X 2" PLT
22	F82025603	48	BOLT-ELEV 5/16-18 X 1-1/2" PLT
21	F82011404	24	BOLT-CARR 1/4-20 X 1-1/4" PLT
20	F80026101	192	BALL, RUBBER 1.375 Ø BLACK
19	F98600005	4	LATCH-S-887-A-3-4 DRAW BOLT
18	F61001212	12	BRACKET, CROSS BOARD 1360/1386
17	F61001210	4	HANGER SUPPORT WLDMT
16	F61001209	1	CROSS BOARD 7" 1360/1386
15	F61001208	7	CROSS BOARD 1360/1386
14	F61001207	2	SPOUT, DISCHARGE 1360/1386
13	F61001206	3	SCREENWAY RAIL III
12	F61001204	3	SCREENWAY RAIL I
11	F61001203	2	PITMAN END 1360/1386
10	F61001200	1	PITMAN WELDMENT 1360/1386
9	F61001007	2	END IRON, TOP SHOE 1360/1386
8	F61001006	1	SHOE BK MTL., TOP SHOE 1360/1386
7	F61001005	1	SHOE BTM MTL II., TOP SHOE 1360
6	F61001302	1	SHOE BTM MTL I., TOP SHOE 1386
5	F61001003	1	BACK BOARD, TOP SHOE 1360/1386
4	F61001002	2	FRONT BOARD, TOP SHOE 1360/1386
3	F61001301	2	SIDE, TOP SHOE 1386
2	F03805600	6.113	RUBBER HOLD DOWN CAP .75 X 60"
1	F03500800	8	SCREEN HOOK ASSY

REV	DATE	DESCRIPTION OF CHANGE	BY	CHK	
E	F970088	11/28/97	12.00 WAS 8.00". APRON WAS ON REAR/UPPER FRONT BOARD	DJ	
D	F970069	9/8/97	REMOVE ONE X-BD: F61001208, TWO BRKTS: F61001212 & FASTENERS	DJ	
C	F970085	6/18/97	ADDED DEFLECTOR, BELTING & RIVETS ADJ QTY SMS & RUBBER HOLD DOWN	DJ	
B	F970064	6/14/97	ADDED APRON: F97500003, ADJ QTY #8 SMS & RUBBER HOLD DOWN CAP	DJ	
A	F970044	6/8/97	REPLACE F61001213: O-D HINGE WITH F98600005: DRAW BOLT LATCH	DJ	
-	F970004	2/7/97	RELEASE	DJ	

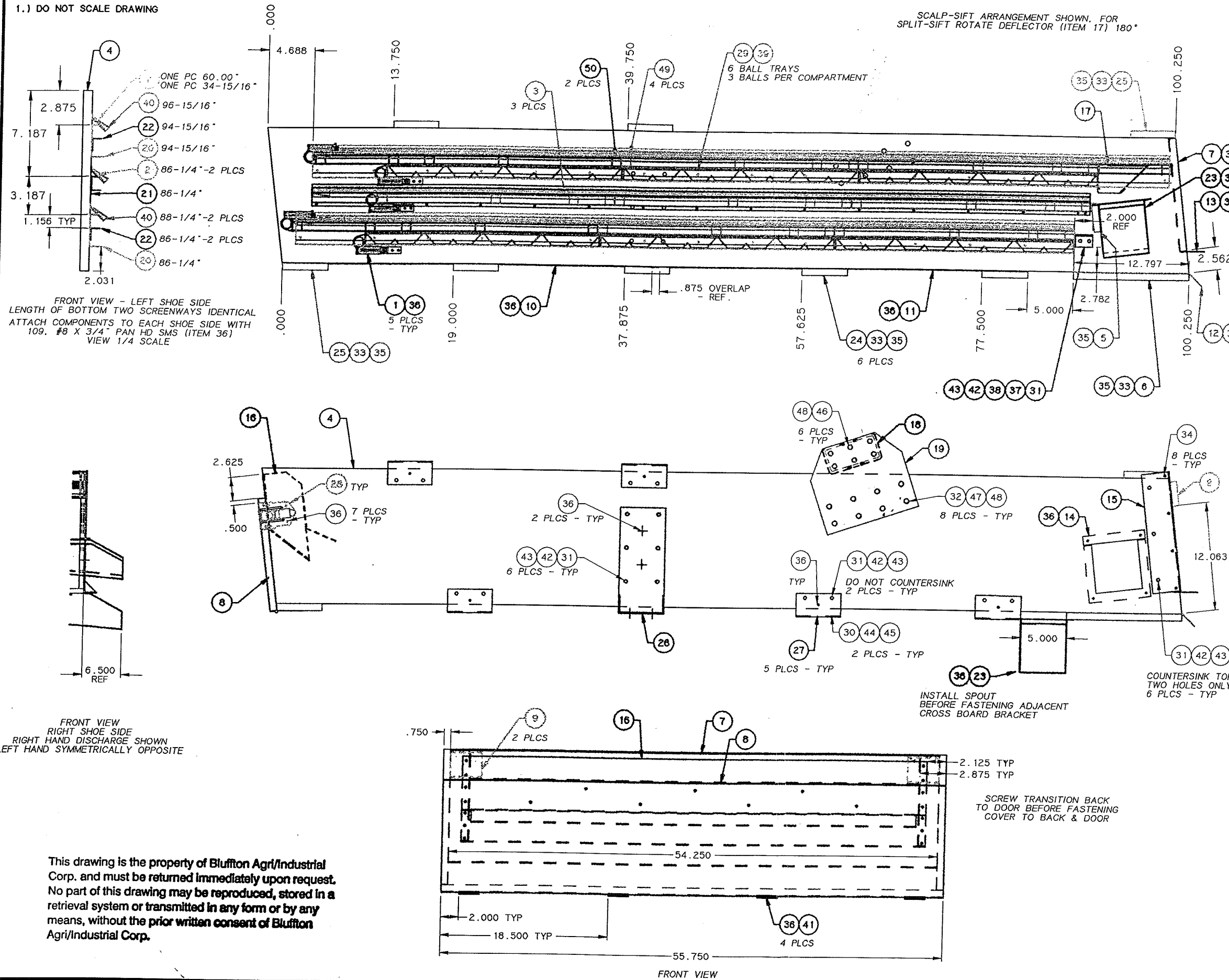
CAD
NO MANUAL CHANGES
Tolerances EXCEPT AS NOTED
REVISIONS: NONE
DATE: 3/16
DRAFTING NO.:
DATE: 2/7/97
DESCRIPTION OF CHANGE: SHOES, TOP 1386
DRAWN BY: DJ
CHECKED BY: DJ
DATE: 3/16
SCALE: 1/2"
SHEET: 1 OF 1

NOTES:

1.) DO NOT SCALE DRAWING

SCALP-SIFT ARRANGEMENT SHOWN, FOR
SPLIT-SIFT ROTATE DEFLECTOR (ITEM 17) 180°

REV	DESCRIPTION OF CHANGE	DATE	BY	CHK
-	F970004	2/4/97	RELEASE	DJ
A	F970044	6/6/97	REPLACE F61001213: O-D HINGE WITH F98600005: DRAW BOLT LATCH	DJ
B	F970088	11/28/97	REDESIGN F61001113	DJ



50	SEE SALES ORDER	2	34" SCREEN W/LIP
49	SEE SALES ORDER	4	26" SCREEN W/LIP
48	66445200	28	1/2" LOCK WASHER
47	66085200	28	1/2-13 HEX NUT
46	62585226	12	1/2-13 X 1-1/4" HX HD BOLT
45	66443300	20	1/4 LOCK WASHER PLT
44	66083300	20	1/4 - 20 HEX NUT
43	66443800	60	5/16 LOCK WASHER PLT
42	66083800	60	5/16 - 18 HEX NUT
41	F98200008	4	HINGE 3.00" TEE
40	F91152004	45.448'	BLTG 1/16X1-1/2" 2-PLY RUBBER
39	F90008270	6	BALL TRAY WLDMT 26.25X54.00"
38	F90005474	1	BALL TRAY STOP WLDMT, RH
37	F90005473	1	BALL TRAY STOP WLDMT, LH
36	F83453402	396	SCREW-PAN HD #8X3/4" SMS PLT
35	F83440301	50	SCREW-FLT HD WOOD #10X1.5" PLT
34	F83440135	8	#10 X 1-3/4" RD HD SMS
33	F82400002	18	NAIL, 3/4" 14 GA CEMENT 820/#
32	80016019	16	BOLT-ELEV 1/2-13 X 2.00" #1
31	F82025603	48	BOLT-ELEV 5/16-18 X 1-1/2" PLT
30	F82011404	20	BOLT-CARR 1/4-20 X 1-1/4" PLT
29	F80026101	288	BALL, RUBBER 1.375 Ø BLACK
28	F98600005	2	LATCH-S-887-A-3-4 DRAW BOLT
27	F61001212	10	BRACKET, CROSS BOARD
26	F61001210	2	HANGER SUPPORT WLDMT
25	F61001209	2	CROSS BOARD 7" 1360/1386
24	F61001208	6	CROSS BOARD 1360/1386
23	F61001207	2	SPOUT, DISCHARGE 1360/1386
22	F61001206	6	SCREENWAY RAIL III
21	F61001205	2	SCREENWAY RAIL II
20	F61001204	4	SCREENWAY RAIL I
19	F61001203	2	PITMAN END 1360/1386
18	F61001200	1	PITMAN WELDMENT 1360/1386
17	F61001116	1	DEFLECTOR, BTM SHOE
16	F61001113	1	TRANSITION, BTM SHOE
15	F61001112	2	END IRON, BTM SHOE 1360/1386
14	F61001111	1	SPOUT HOLE COVER, BTM SHOE
13	F61001110	1	SHOE BACK MTL, BTM SHOE
12	F61001109	1	SHOE BTM MTL III, BTM SHOE
11	F61001403	1	SHOE BTM MTL II, BTM SHOE
10	F61001402	1	SHOE BTM MTL I, BTM SHOE
9	F61001108	2	HANGER STAND-OFF, BTM SHOE
8	F61001105	1	DOOR, BTM SHOE
7	F61001104	1	BACK BD, BTM SHOE
6	F61001103	1	CROSS BD, REAR BTM SHOE
5	F61001102	1	CROSS BD, INTERNAL BTM SHOE
4	F61001401	2	SIDE, BOTTOM SHOE 1360
3	F10808000	3	MID SCR N BLANK ASSY 26X54 W/LIP
2	F03805600	8.890	RUBBER HOLD DOWN CAP .75 X 60"
1	F03500800	10	SCREEN HOOK ASSY

This drawing is the property of Bluffton Agri/Industrial Corp. and must be returned immediately upon request. No part of this drawing may be reproduced, stored in a retrieval system or transmitted in any form or by any means, without the prior written consent of Bluffton Agri/Industrial Corp.

CAD
NO MANUAL CHANGES
Tolerances (EXCEPT AS NOTED)
NORMAL: .XXX ± .005
FRACTIONAL: ± 1/32
DECIMAL: ± 1/2

REVISIONS:
DATE: 2/4/97
BY: D
DRAWING NO.: F61001400

DESCRIPTION: SHOE, BOTTOM 1386

DATE: 3/16
APPROVED BY: DJ

1 OF 1