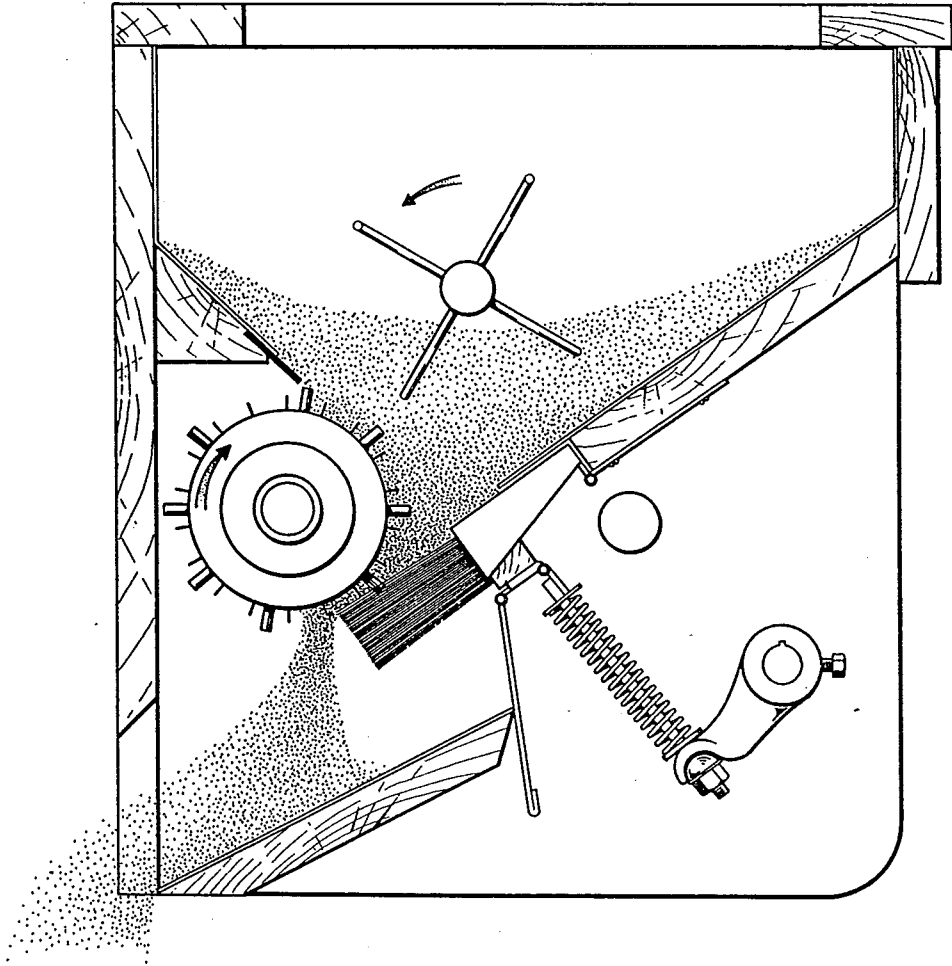


1440 S. Adams Street
Bluffton, IN 46714



BRUSH-FEED HOPPER

CLIPPER ROLL FEED BRUSH HOPPER

ITEM DESCRIPTION	7 WIDE		9 WIDE		8 WIDE	
	QTY	PART NO.	QTY	PART NO.	QTY	PART NO.
1 U-Joint	1	F01005500	1	F01005500	1	F01005500
2 Hand Crank Assembly	1	F04001600	1	F04001600	1	F04001600
3 5-1/4" Flange Bearing, 1" Bore	3	F01100000	3	F01100000	3	F01100000
4 Cast Collar, 3/4" Bore	3	F01102002	3	F01102002	3	F01102002
5 3-1/2" Flange Bearing, 1" Bore	1	F01102800	1	F01102800	1	F01102800
6 Flange Bearing, 3/4" Bore	1	F01103000	1	F01103000	1	F01103000
7 Cast Collar, 1" Bore	4	F01103100	3	F01103100	3	F01103100
8 Roll Shaft, 1" Diameter	1	F01604310 (1" X 40")	1	F01604320 (1" X 48")	1	F01604330 (1" X 60")
9 Escutcheon Plates	2	F01801200	2	F01801200	2	F01801200
10 Control Rod	NEED LENGTH					
*11A Screw Shaft, Handle 5/8x6-3/4(Below)	1	F01805700	1	F01805700	1	F01805700
11 Screw Shaft, Universal 5/8 x 6 (Standard)	1	F01805800	1	F01805800	1	F01805800
12 Roll Assembly W Staves and Flanges	1	F04001501	1	F04001502	1	F04001503
13 Spike Shaft w/Straight Spikes	1	NA	1	F04321800	1	F04321810
Spike Shaft w/Bent Spikes	1	F04004200 (1" X 40")	1	F04004300 (1" X 48")	1	F04004400 (1" X 60")
14 Spring Hinge Guide Pins	2	F04004600	3	F04004600	4	F04004600
15 End Board, Right or Left	2	F04108600	2	F04108600	2	F04108600
16 Clutch, Right Hand	1	F04200500	1	F04200500	1	F04200500
17 Clutch, Left Hand	1	F04200600	1	F04200600	1	F04200600
18 Clutch Handle	1	F04201000	1	F04201000	1	F04201000
19 60 Tooth Spur Gear, 1" Bore	2	F04201300	2	F04201300	2	F04201300
20 15 Tooth Pinion Gear, 1" Bore	2	F04201400	2	F04201400	2	F04201400
21 16" Clutch Sheave, Right Hand	1	F04201700	1	F04201700	1	F04201700
22 16" Clutch Sheave, Left Hand	1	F04201800	1	F04201800	1	F04201800
23 Slide Lever	2	F04202600	3	F04202600	4	F04202600
24 Front Slide Metal	1	F04300410 (11-1/4 X 30-1/8)	1	F04300420 (11-1/4 X 38-1/8)	1	F04300430 (11-1/4 X 50-1/2)
25 Back Slide Metal	1	F04301710 (6-7/8 X 30-1/16)	1	F04301720 (6-7/8 X 38-1/16)	1	F04301730 (6-7/8 X 50-1/16)
26 Gate Spring	2	F92700009	3	F92700009	4	F92700009
27 Bush Holder	1	F04302210	1	F04302220	1	F04302230
28 Brush Flap, Rubber	1	F04400310	1	F04400320	1	F04400330

* THIS SHAFT WOULD BE USED IF THE HAND CRANK ASSEMBLY (2) IS MOUNTED DIRECTLY ON THIS SHAFT

CLIPPER ROLL FEED BRUSH HOPPER

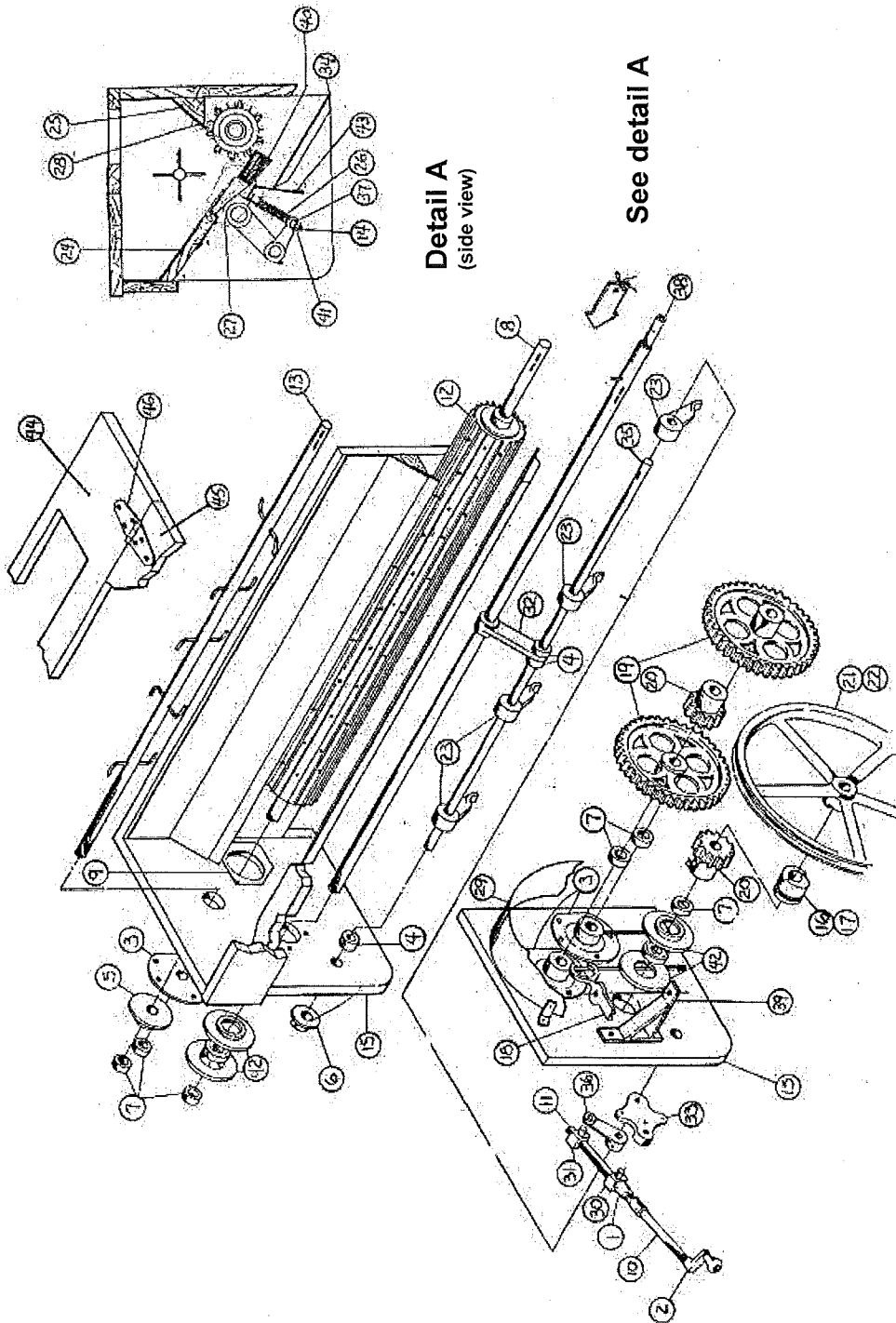
ITEM DESCRIPTION	7 WIDE		9 WIDE		8 WIDE	
	QTY	PART NO.	QTY	PART NO.	QTY	PART NO.
29 Gear Guard	1	F04303900	1	F04303900	1	F04303900
30 Pivot Nut, Plain	1	F04313100	1	F04313100	1	F04313100
31 Pivot Nut, Threaded	1	F04313200	1	F04313200	1	F04313200
32 Hopper Center Support	1	F04313400	1	F04313400	1	F04313400
33 Swivel Plate, Bearing	1	F04313500	1	F04313500	1	F04313500
34 Bottom, Slide Plate Metal	1	F04317760 (8 X 30-3/32)	1	F04317750 (8 X 38-3/32)	1	F04317710 (8 X 50-1/8)
35 Gate Shaft	1	F04314300 (3/4 X 33)	1	F04313000 (3/4 X 40-3/4)	1	F04314200 (34 X 52-3/4)
36 Pivot Lever	1	F04314800	1	F04314800	1	F04314800
37 Drilled Balls	2	F04314900	3	F04314900	4	F04314900
38 Drive Shaft	1	F04304900 (1 X 45-1/2)	1	F04316400 (1 X 54)	1	F04316000 (1 X 66-1/2)
39 Clutch Bracket	1	F04316200	1	F04316200	1	F04316200
40 Brush	1	F10100001	1	F10100003	1	F10100002
41 Nylock Nuts (3/8 - 16)	2	70010002	2	70010002	2	70010002
42 Fafnir Bearing	2	F92460200	2	F92460200	2	F92460200
43 Front Flap	1	F04300700 (5 X 29-7/8)	1	F04300800 (5 X 37-7/8)	1	F04300900 (5 X 49-7/8)
44 Top Hopper Board w/Hole	1	F04106610	1	F04106620	1	F04106630
45 Top Hopper Board, Front	1	F04106640	1	F04106650	1	F04106660
46 Hinge, Hopper Top	1	F98200006	1	F98200006	1	F98200006
COMPLETE BRUSH HOPPER ASSY	LH	F04000210	LH	F04000220	LH	F04000230
	RH	F04000278	RH	F04000279	RH	F04000280

Drive Shaft 1 x 72

F04305620

Hi Cap Brush Roll

F04006002



Detail A
(side view)

See detail A

BRUSH HOPPER